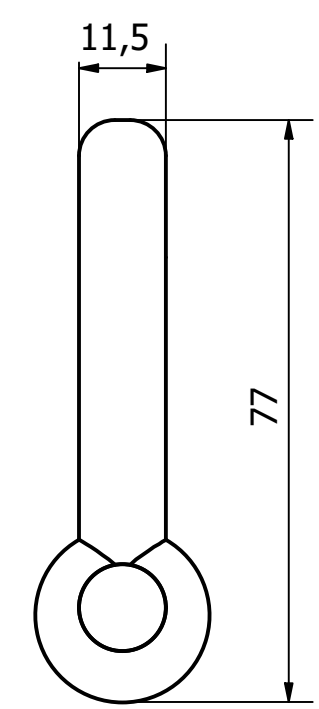
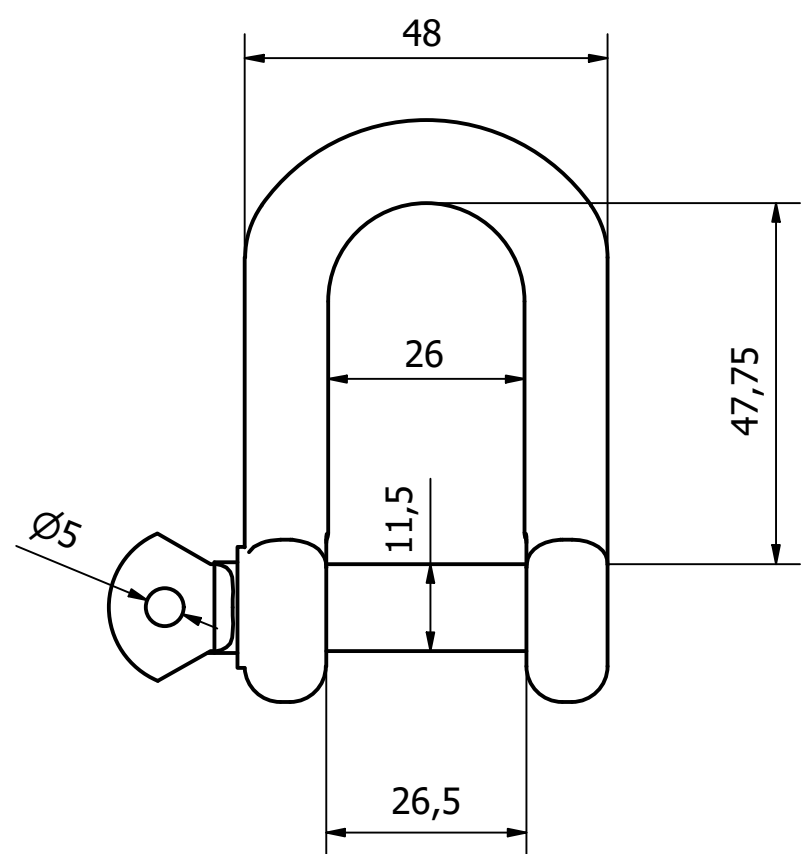
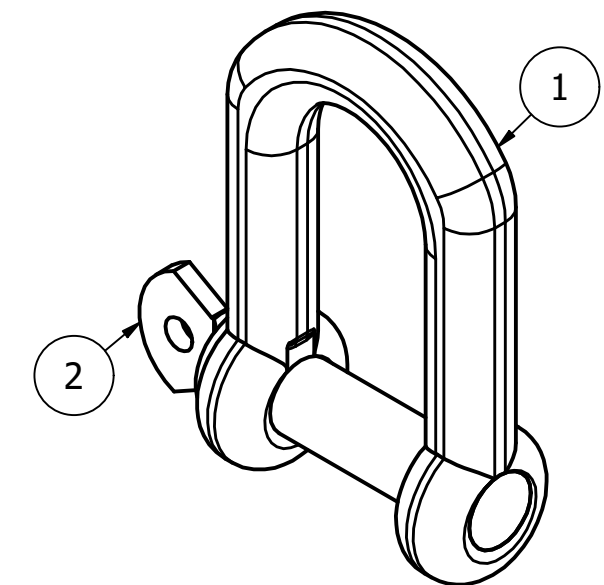
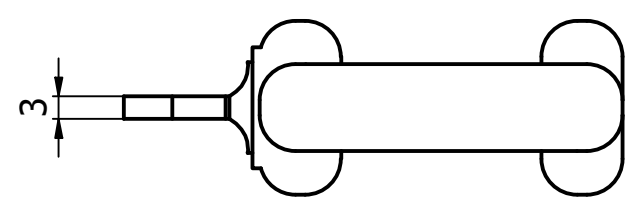


PARTS LIST			
ITEM	QTY	PART NUMBER	DESCRIPTION
1	1	0111-006-1	ZINC PLATED M/STEEL D SHACKLE BODY
2	1	0111-006-2	ZINC PLATED M/STEEL D SHACKLE PIN



REV	DESCRIPTION	DATE	APPROVED
1	VALIDATION COMPLETE	08/04/21	U.F

GENERAL TOLERANCES ON LENGTHS

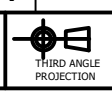
0.5 - 6 ± 0.1mm
6 - 30 ± 0.2mm
30 - 120 ± 0.3mm
120 - 400 ± 0.5mm
400 - 1000 ± 0.8mm
1000 - 2000 ± 1.2mm
2000 - 4000 ± 2.0mm

ALBERT JAGGER LTD
 GREEN LANE
 WALSALL PHONE: 01922 471000
 WEST MIDLANDS FAX: 01922 648021
 WS2 8HG

THIS DRAWING & THE DESIGN SHOWN ARE THE PROPERTY OF ALBERT JAGGER LTD AND MUST NOT BE USED OR COPIED BY A THIRD PARTY WITHOUT PERMISSION

DRAWN BY
K.M

CHECKED BY
A.P



SCALE
1 : 1

MATERIAL
SEE TABLE

MASS
0.195 kg

FINISH
SEE TABLE

Date
22/09/2020

ALL DIMS IN MM UNLESS STATED DO NOT SCALE

A3



ZINC PLATED D SHACKLE		Edition	Sheet
0111-006	1	1 / 1	