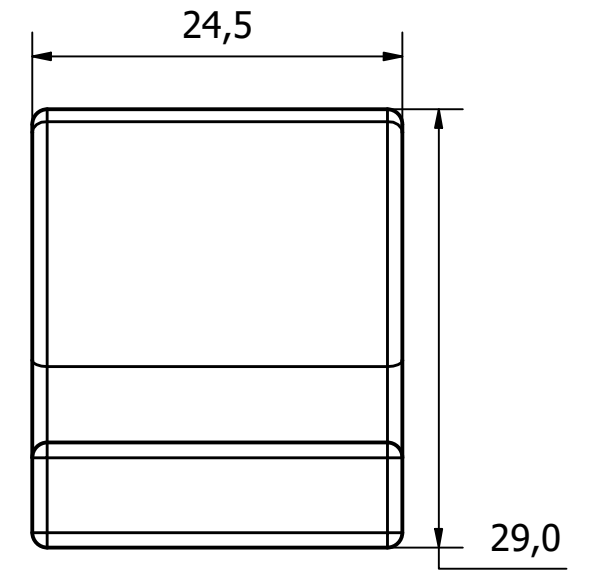
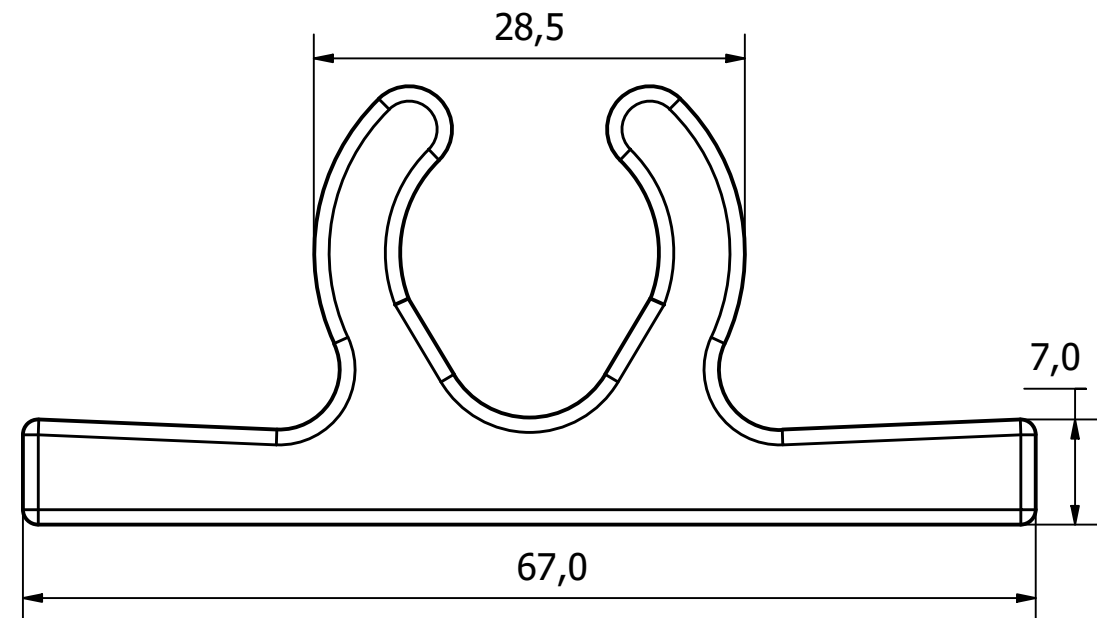
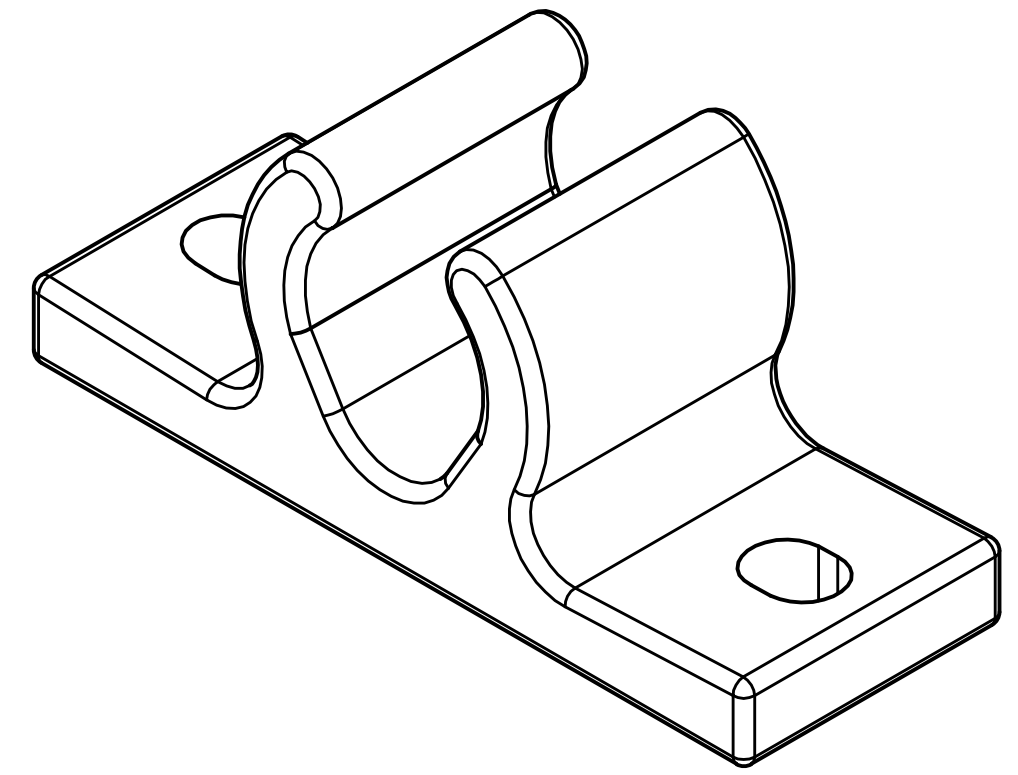
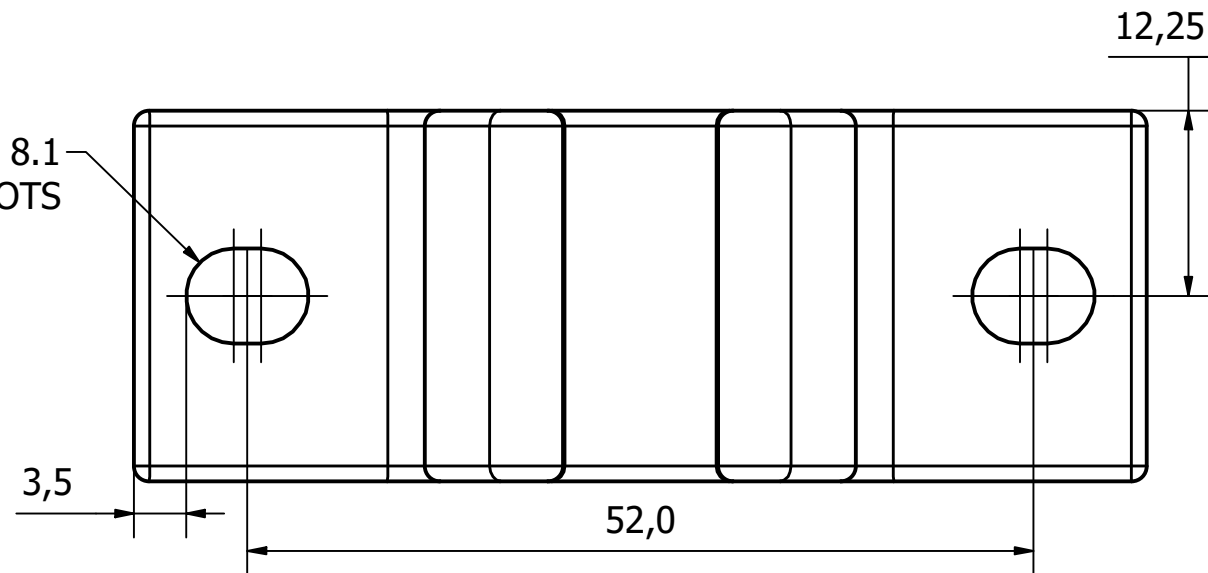


2 x 6.3 x 8.1  
SLOTS



REV	DESCRIPTION	DATE	APPROVED
3	CHANGED DIMENSIONS	21/08/19	A.P
2	ADDED DIMENSIONS	16/08/19	A.P
1	VALIDATION COMPLETE	09/06/17	A.P

GENERAL TOLERANCES ON LENGTHS

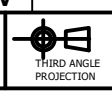
0.5 - 6 ± 0.1mm
6 - 30 ± 0.2mm
30 - 120 ± 0.3mm
120 - 400 ± 0.5mm
400 - 1000 ± 0.8mm
1000 - 2000 ± 1.2mm
2000 - 4000 ± 2.0mm

ALBERT JAGGER LTD  
GREEN LANE  
WALSALL PHONE: 01922 471000  
WEST MIDLANDS FAX: 01922 648021  
WS2 8HG

THIS DRAWING & THE DESIGN SHOWN ARE THE PROPERTY OF ALBERT JAGGER LTD AND MUST NOT BE USED OR COPIED BY A THIRD PARTY WITHOUT PERMISSION

DRAWN BY  
U.F

CHECKED BY  
A.P



SCALE  
2 : 1

MATERIAL  
Acetal  
Resin, White

MASS  
N/A

FINISH  
Smooth - White

Date  
06/06/2017

ALL DIMS IN MM  
UNLESS STATED  
DO NOT SCALE

A3



FEMALE NYLON DOOR RETAINER

0555-001

Edition 3	Sheet 1 / 1
--------------	----------------