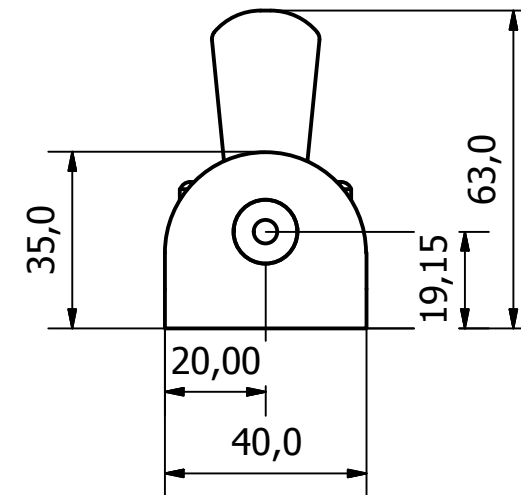
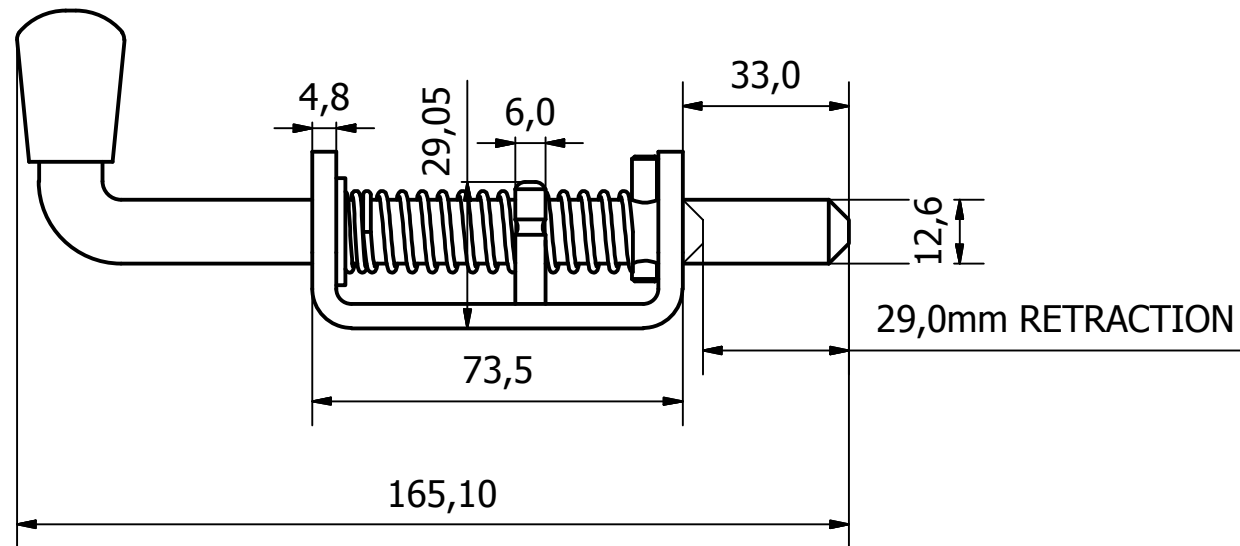
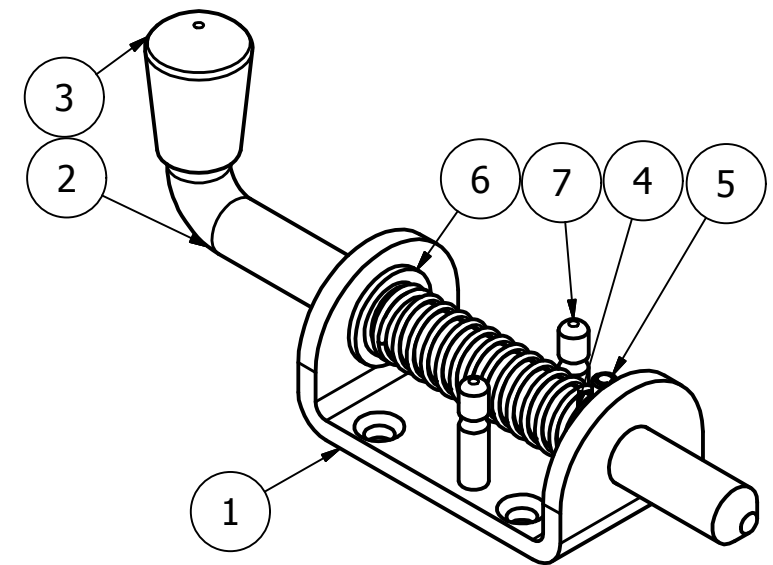


PARTS LIST			
ITEM	QTY	PART NUMBER	DESCRIPTION
1	1	0837-001-1	M/STEEL SPRING BOLT BASE PLATE
2	1	0837-001-2	M/STEEL 90 DEG BOLT - 160.7 O/A
3	1	0837-001-3	RED PLASTIC CAP
4	1	0837-001-6	M/STEEL SPRING
5	1	0837-001-4	M/STEEL BOLT PIN - 40 O/A
6	1	0837-001-5	M/STEEL WASHER - 21.25 O/D
7	2	0837-001-7	M/STEEL PILLAR INSERTS - 29.05 O/A



1	VALIDATION COMPLETE	07/12/16	A.P
REV	DESCRIPTION	DATE	APPROVED

GENERAL TOLERANCES ON LENGTHS
0.5 - 6 ± 0.1mm
6 - 30 ± 0.2mm
30 - 120 ± 0.3mm
120 - 400 ± 0.5mm
400 - 1000 ± 0.8mm
1000 - 1200 ± 1.2mm
2000 - 4000 ± 2.0mm

ALBERT JAGGER LTD
 GREEN LANE
 WALSALL PHONE: 01922 471000
 WEST MIDLANDS FAX: 01922 648021
 WS2 8HG

THIS DRAWING & THE DESIGN SHOWN ARE THE PROPERTY OF ALBERT JAGGER LTD AND MUST NOT BE USED OR COPIED BY A THIRD PARTY WITHOUT PERMISSION

DRAWN BY	CHECKED BY
U.F	A.P



SCALE
1:1.5

MATERIAL
-

MASS
0.382 kg

FINISH
Z/C
PASSIVATE

Date
05/12/2016

ALL DIMS IN MM UNLESS STATED DO NOT SCALE

A3



12MM SPRING BOLT	
0837-001	Edition 1 Sheet 1 / 1