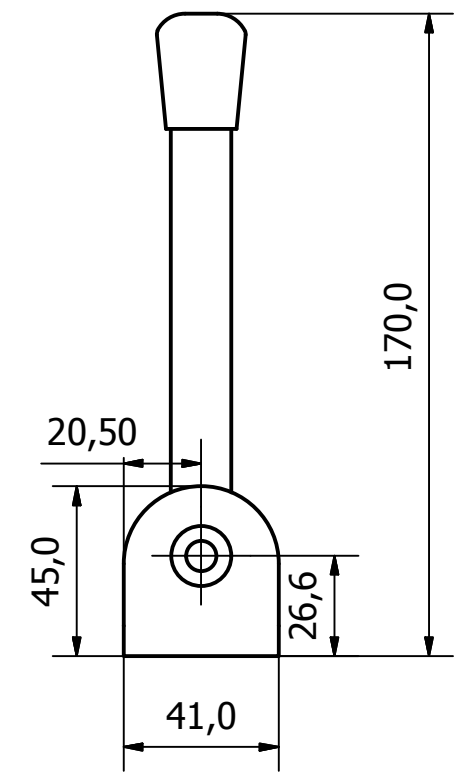
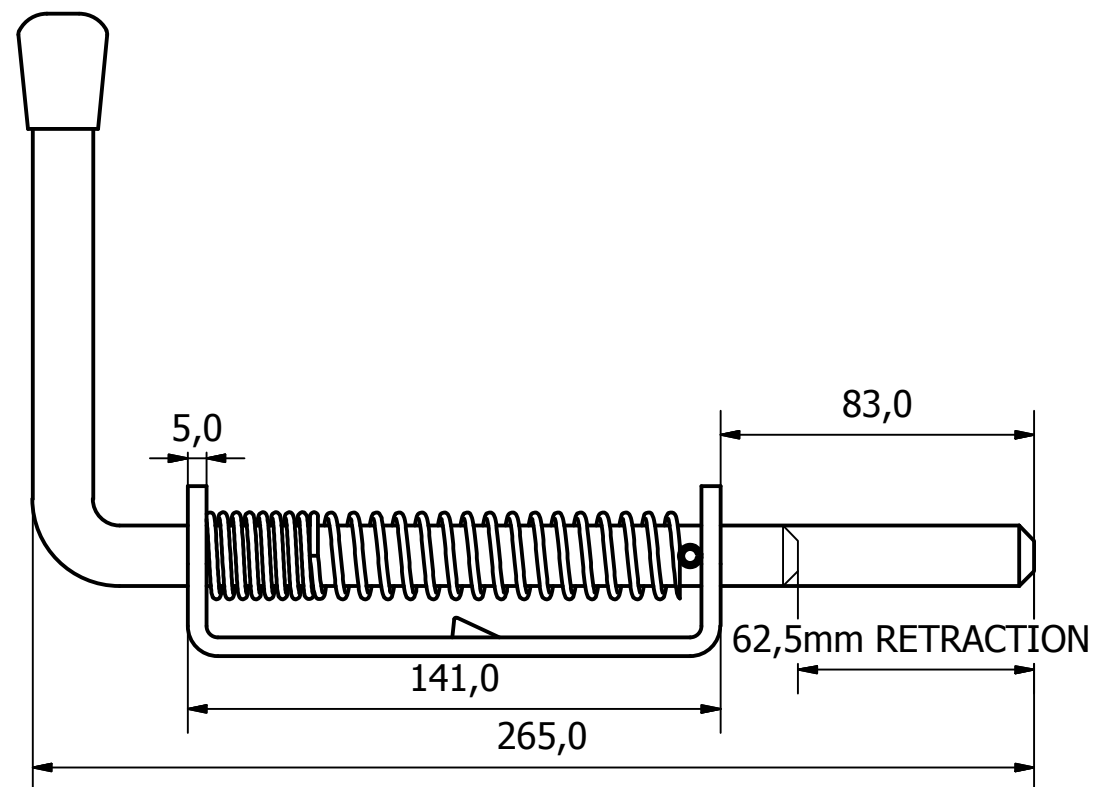
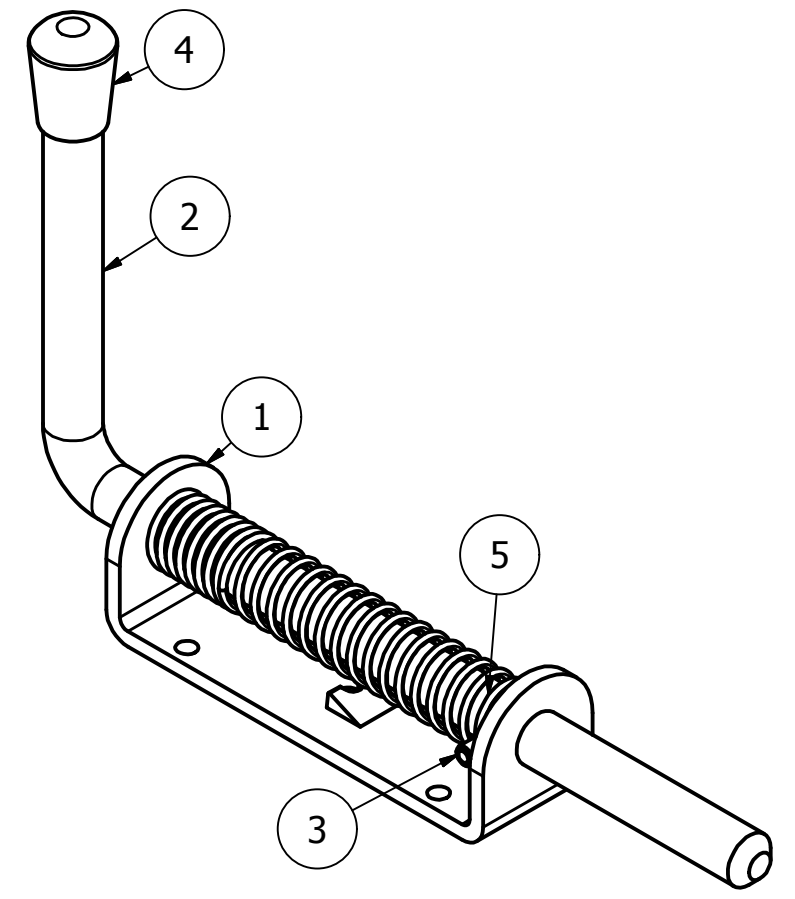
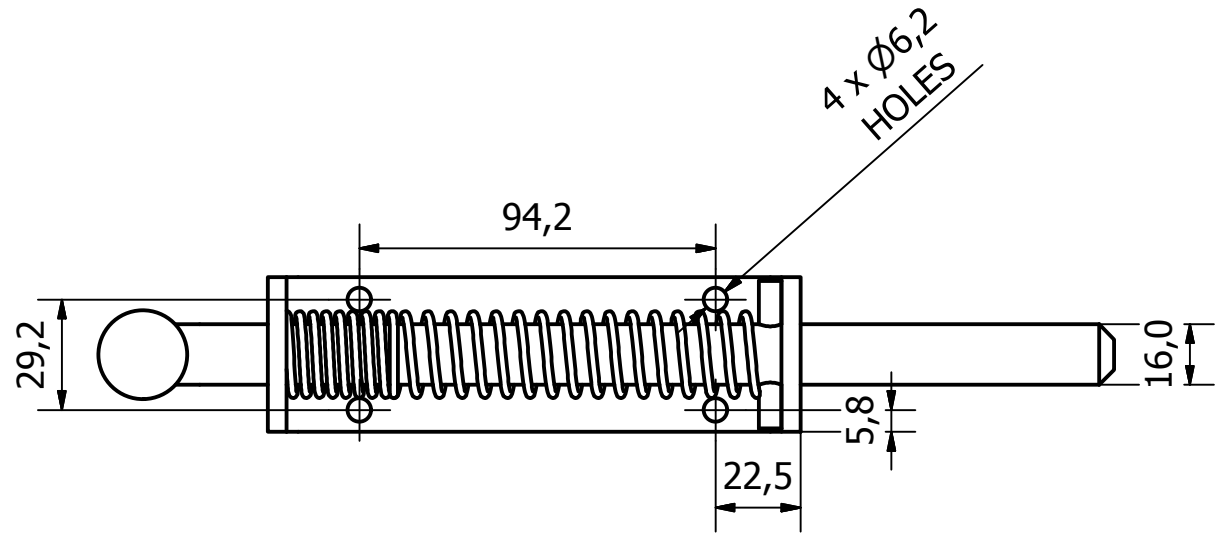


6 1 5 1 4 3 1 2 1 1

PARTS LIST				
ITEM	QTY	PART NUMBER	DESCRIPTION	
1	1	0840-002-1	M/STEEL SPRING BOLT BASE PLATE	
2	1	0840-002-2	M/STEEL 90 DEG BOLT - 265 O/A	
3	1	0840-002-4	M/STEEL BOLT PIN - 40 O/A	
4	1	0840-002-3	RED PLASTIC CAP	
5	1	0840-002-5	M/STEEL SPRING	



C

B

A

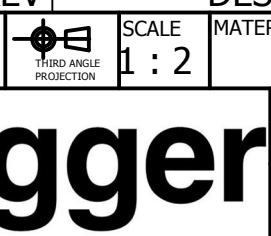
1	VALIDATION COMPLETE	07/12/16	A.P
REV	DESCRIPTION	DATE	APPROVED
U.F	A.P	25/11/2016	A3
SCALE	MATERIAL	MASS	FINISH
1 : 2	-	0.967 kg	Z/C PASSIVATE
5/8" SPRING BOLT		Date	ALL DIMS IN MM UNLESS STATED DO NOT SCALE
0840-002		Edition	Sheet
		1	1 / 1

GENERAL TOLERANCES ON LENGTHS
0.5 - 6 ± 0.1mm
6 - 30 ± 0.2mm
30 - 120 ± 0.3mm
120 - 400 ± 0.5mm
400 - 1000 ± 0.8mm
1000 - 1200 ± 1.2mm
2000 - 4000 ± 2.0mm

ALBERT JAGGER LTD
 GREEN LANE
 WALSALL PHONE: 01922 471000
 WEST MIDLANDS FAX: 01922 648021
 WS2 8HG

THIS DRAWING & THE DESIGN SHOWN ARE THE PROPERTY OF ALBERT JAGGER LTD AND MUST NOT BE USED OR COPIED BY A THIRD PARTY WITHOUT PERMISSION

DRAWN BY U.F
 CHECKED BY A.P



5/8" SPRING BOLT

0840-002

Edition 1

Sheet 1 / 1

6 1 5 1 4 3 1 2 1 1