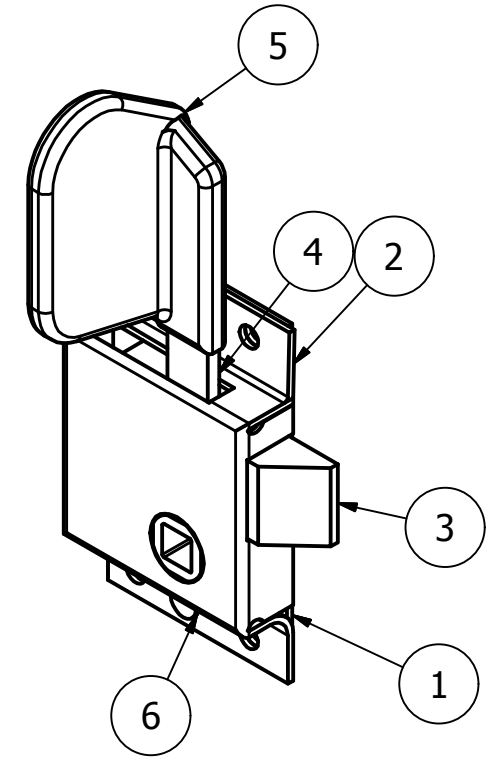
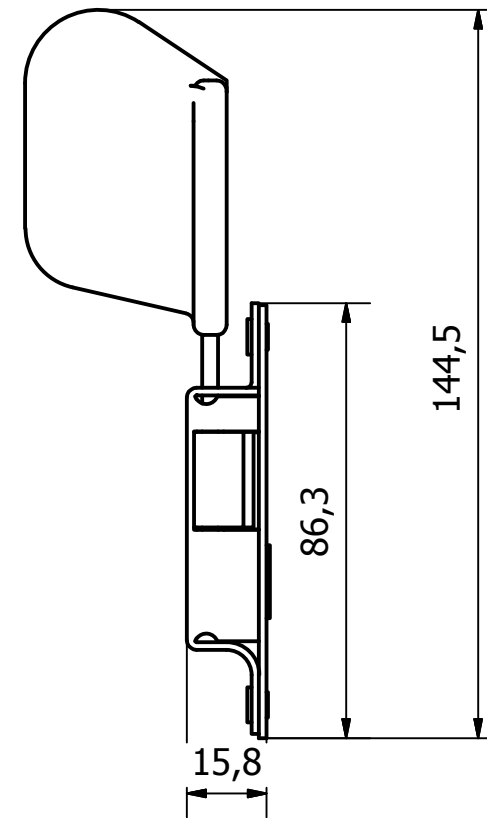
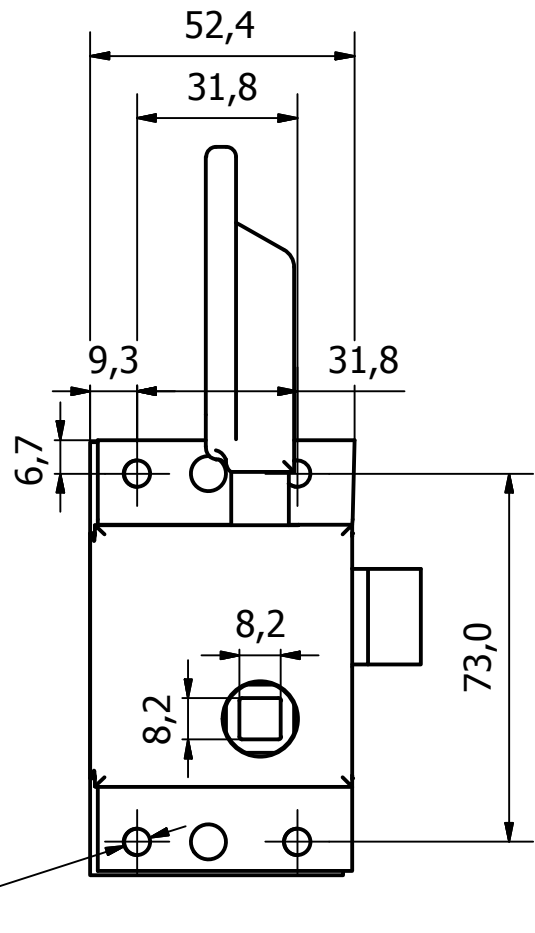
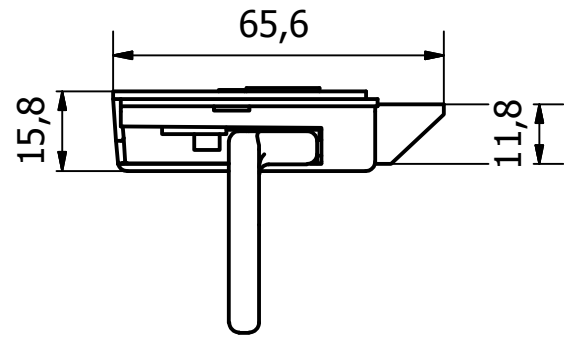


PART No.	DESCRIPTION
0860/001	PLANT ON SLAM LOCK - LH
0860/002	PLANT ON SLAM LOCK - RH

PARTS LIST			
ITEM	QTY	PART NUMBER	DESCRIPTION
1	1	0860-001-1	M/STEEL BASE PLATE
2	1	0860-001-2	M/STEEL LOCK BODY
3	1	0860-001-3	IRON TONGUE
4	1	0860-001-4	M/STEEL LEVER
5	1	0860-001-5	PLASTIC HANDLE COVER
6	2	0860-001-6	M/STEEL RIVET



NOTE:

ZINC AND CLEAR PASSIVATE FINISH ON MAIN BODY, BASE PLATE, LEVER AND RIVETS
GRAPHITE COATING ON IRON TONGUE

GENERAL TOLERANCES ON LENGTHS
0.5 - 6 ± 0.1mm
6 - 30 ± 0.2mm
30 - 120 ± 0.3mm
120 - 400 ± 0.5mm
400 - 1000 ± 0.8mm
1000 - 1200 ± 1.2mm
2000 - 4000 ± 2.0mm

ALBERT JAGGER LTD
GREEN LANE
WALSALL PHONE: 01922 471000
WEST MIDLANDS FAX: 01922 648021
WS2 8HG

THIS DRAWING & THE DESIGN SHOWN ARE THE PROPERTY OF ALBERT JAGGER LTD AND MUST NOT BE USED OR COPIED BY A THIRD PARTY WITHOUT PERMISSION

DRAWN BY

U.F

CHECKED BY

A.P



SCALE

1:1.5

MATERIAL

-

MASS

0.284 kg

FINISH

SEE NOTE

Date

07/04/2017

1	VALIDATION COMPLETE	10/04/17	A.P
REV	DESCRIPTION	DATE	APPROVED

ALL DIMS IN MM UNLESS STATED DO NOT SCALE

A3



PLANT ON SLAM LOCK (LH)

0860-001

Edition
1

Sheet
1 / 1