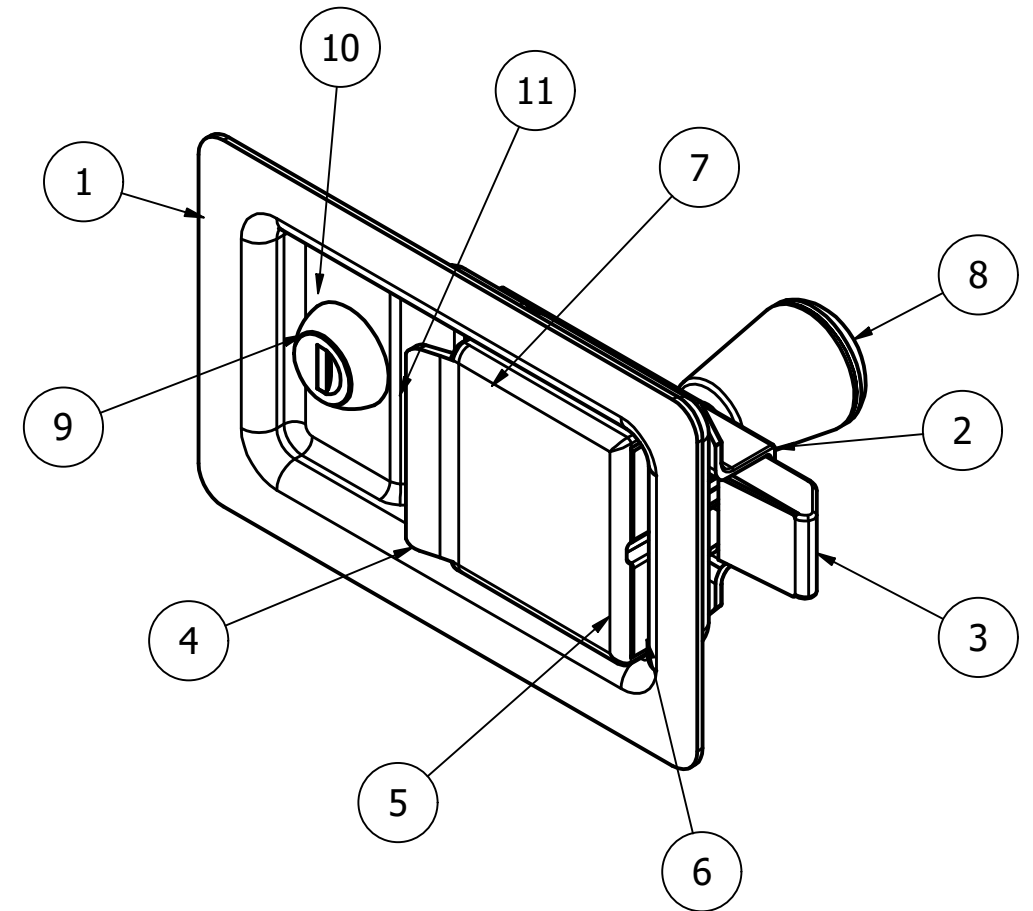
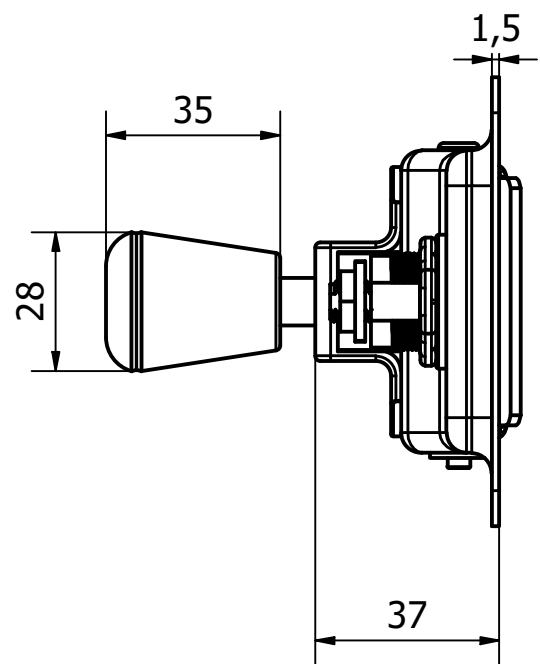
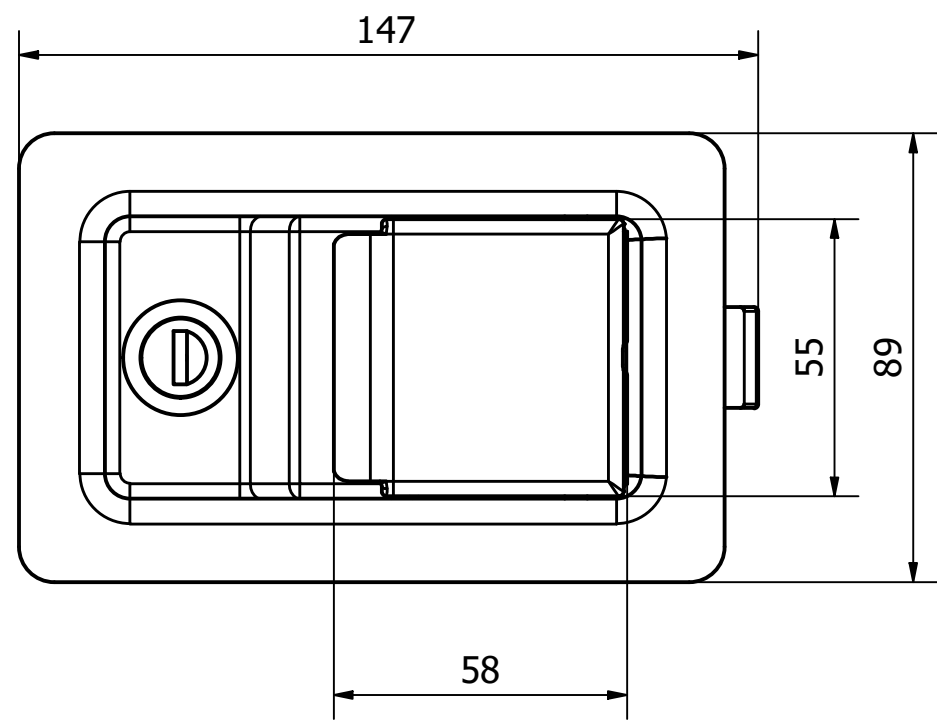
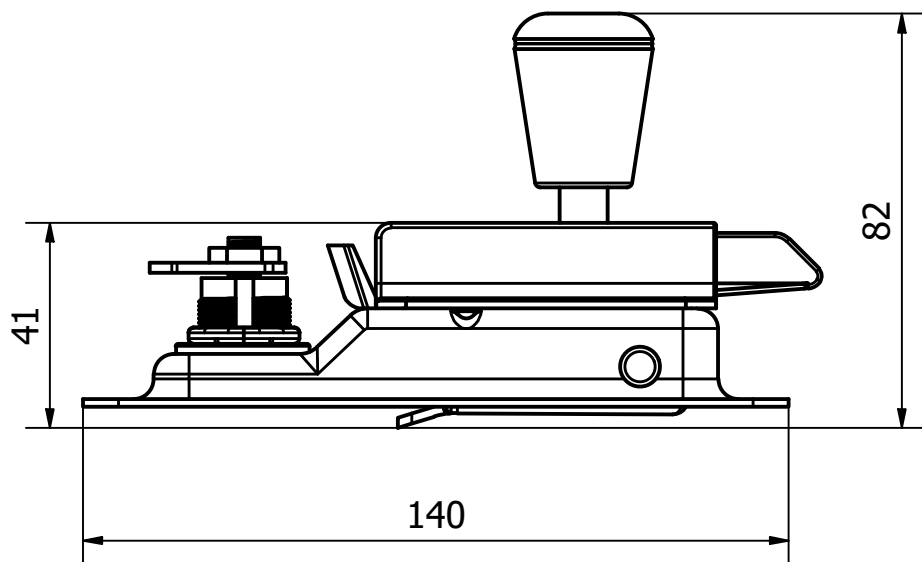


PARTS LIST

| ITEM | QTY | PART NUMBER | DESCRIPTION   |
|------|-----|-------------|---|
| 1    | 1   | 0907-014-2  | M/STEEL- ZINC PLATED PRESSED PAN-Z/C PASSIVATE            |
| 2    | 1   | 0907-014-3  | M/STEEL-ZINC PLATED PRESSED TONGUE HOLDER- Z/C PASSIVATE  |
| 3    | 1   | 0907-014-5  | M/STEEL-ZINC PLATED PRESSED TONGUE- Z//C PASSIVATE        |
| 4    | 1   | 0907-014-4  | M/STEEL- ZINC PLATED PRESSED PADDLE HANDLE- Z/C PASSIVATE |
| 5    | 1   | 0907-005-4  | M/STEEL-ZINC PLATE RIVIT                                  |
| 6    | 1   | 0907-005-6  | RIVIT BOLT  |
| 7    | 1   | 0907-005-7  | SPRING  |
| 8    | 1   | 0907-014-6  | PLASTIC HANDLE - GLOSS BLACK                              |
| 9    | 1   | 0907-011-2  | M/STEEL- LOCK BARREL                                      |
| 10   | 1   | 0907-011-5  | WASHER  |
| 11   | 1   | 0907-011-4  | BOLT  |



|     |                     |            |          |
|-----|---------------------|------------|----------|
| 1   | VALIDATION COMPLETE | 02/08/2021 | C.H      |
| REV | DESCRIPTION         | DATE       | APPROVED |

GENERAL TOLERANCES ON LENGTHS

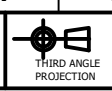
|                     |
|---------------------|
| 0.5 - 6 ± 0.1mm     |
| 6 - 30 ± 0.2mm      |
| 30 - 120 ± 0.3mm    |
| 120 - 400 ± 0.5mm   |
| 400 - 1000 ± 0.8mm  |
| 1000 - 2000 ± 1.2mm |
| 2000 - 4000 ± 2.0mm |

ALBERT JAGGER LTD  
 GREEN LANE  
 WALSALL PHONE: 01922 471000  
 WEST MIDLANDS FAX: 01922 648021  
 WS2 8HG

THIS DRAWING & THE DESIGN SHOWN ARE THE PROPERTY OF ALBERT JAGGER LTD AND MUST NOT BE USED OR COPIED BY A THIRD PARTY WITHOUT PERMISSION

DRAWN BY S.R

CHECKED BY A.P



SCALE 1:2

MATERIAL SEE TABLE

MASS 0.475 kg

FINISH SEE TABLE

Date 26/07/2021

ALL DIMS IN MM UNLESS STATED DO NOT SCALE

A3



PADDLE LOCK - SMALL 0907 SERIES - ZINC/ZINC/PRESSED TONGUE

0907-014

Edition 1

Sheet 1 / 1