

6 5 4 3 2 1

D

D

C

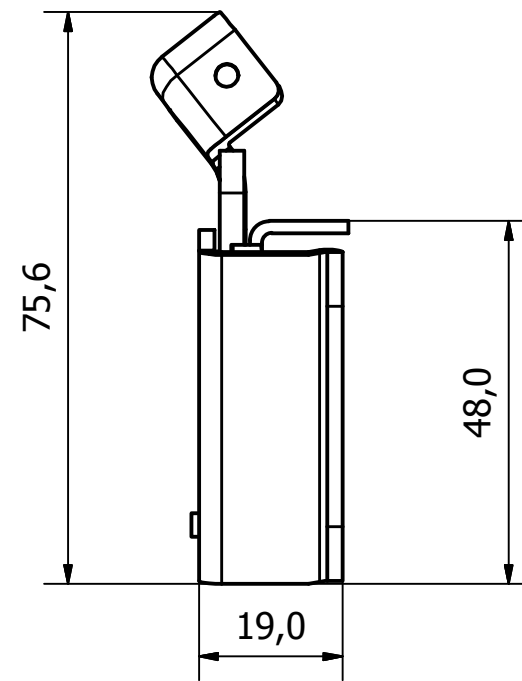
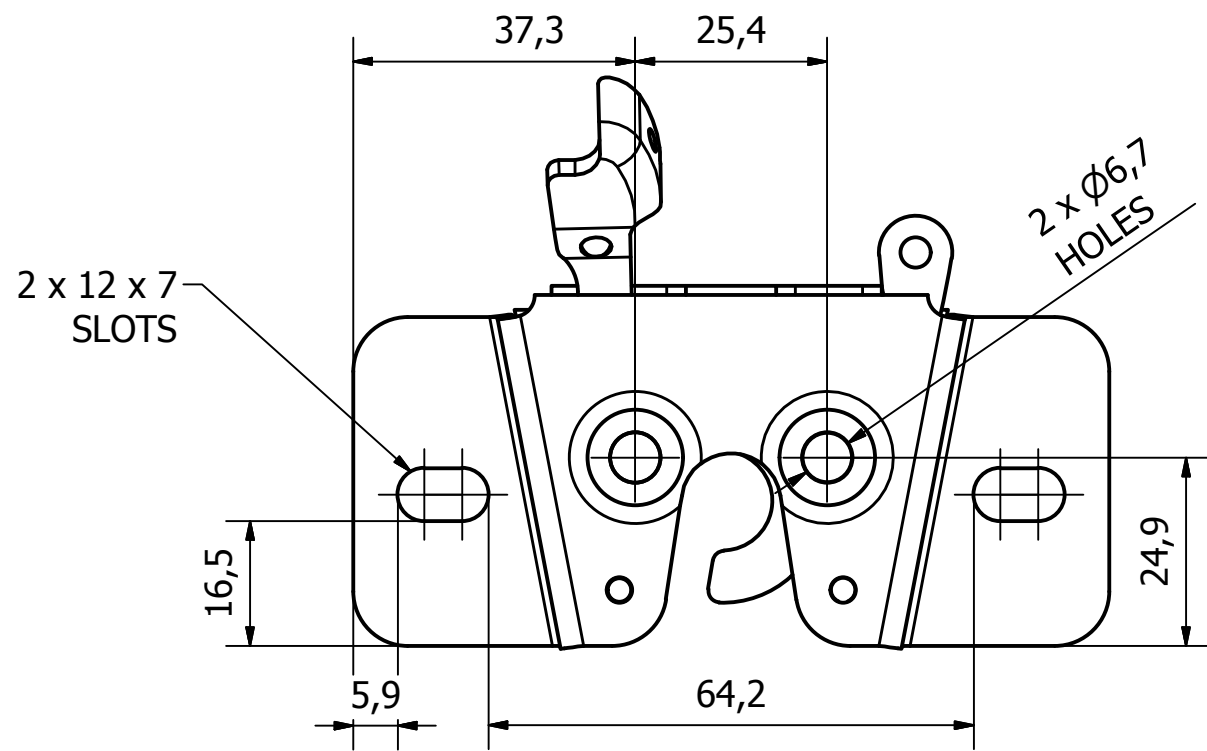
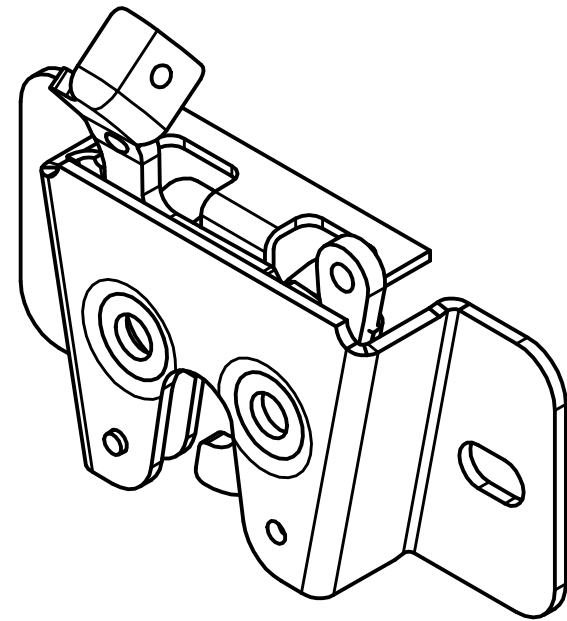
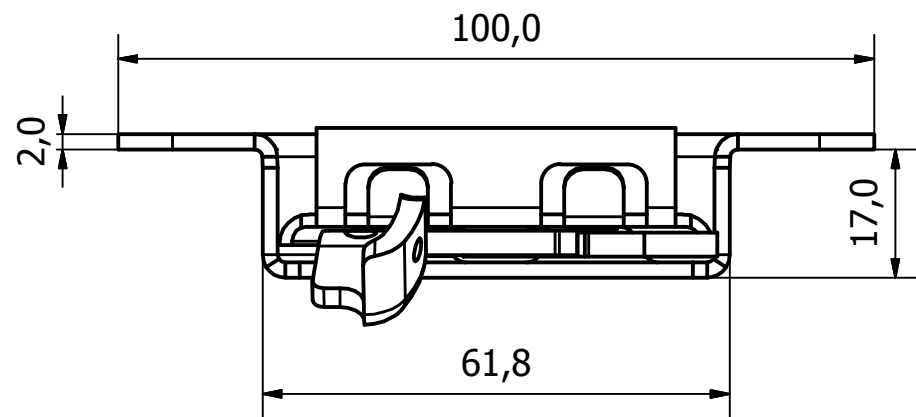
C

B

B

A

A



NOTE:

FOR USE WITH 0931/005 STRIKER PIN

GENERAL TOLERANCES ON LENGTHS	
0.5 - 6 ± 0.1mm	
6 - 30 ± 0.2mm	
30 - 120 ± 0.3mm	
120 - 400 ± 0.5mm	
400 - 1000 ± 0.8mm	
1000 - 2000 ± 1.2mm	
2000 - 4000 ± 2.0mm	

ALBERT JAGGER LTD  
 GREEN LANE  
 WALSALL PHONE: 01922 471000  
 WEST MIDLANDS FAX: 01922 648021  
 WS2 8HG

THIS DRAWING & THE DESIGN SHOWN ARE THE PROPERTY OF ALBERT JAGGER LTD AND MUST NOT BE USED OR COPIED BY A THIRD PARTY WITHOUT PERMISSION

DRAWN BY  
U.F

CHECKED BY  
A.P



SCALE  
1 : 1

MATERIAL  
Steel, Mild

MASS  
0.150kg

FINISH  
Zinc

Date  
24/07/2017

ALL DIMS IN MM UNLESS STATED DO NOT SCALE

A3

1	VALIDATION COMPLETE	14/08/17	A.P
REV	DESCRIPTION	DATE	APPROVED



R/H SIDE MOUNTING CLAW CATCH

0931-003

Edition	Sheet
1	1 / 1

6 5 4 3 2 1