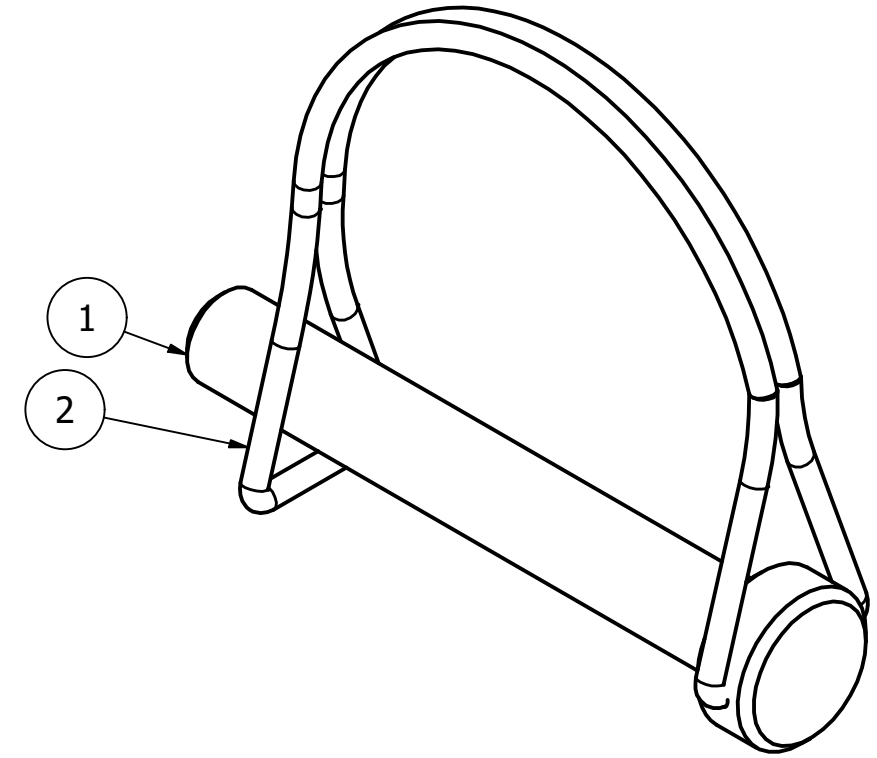
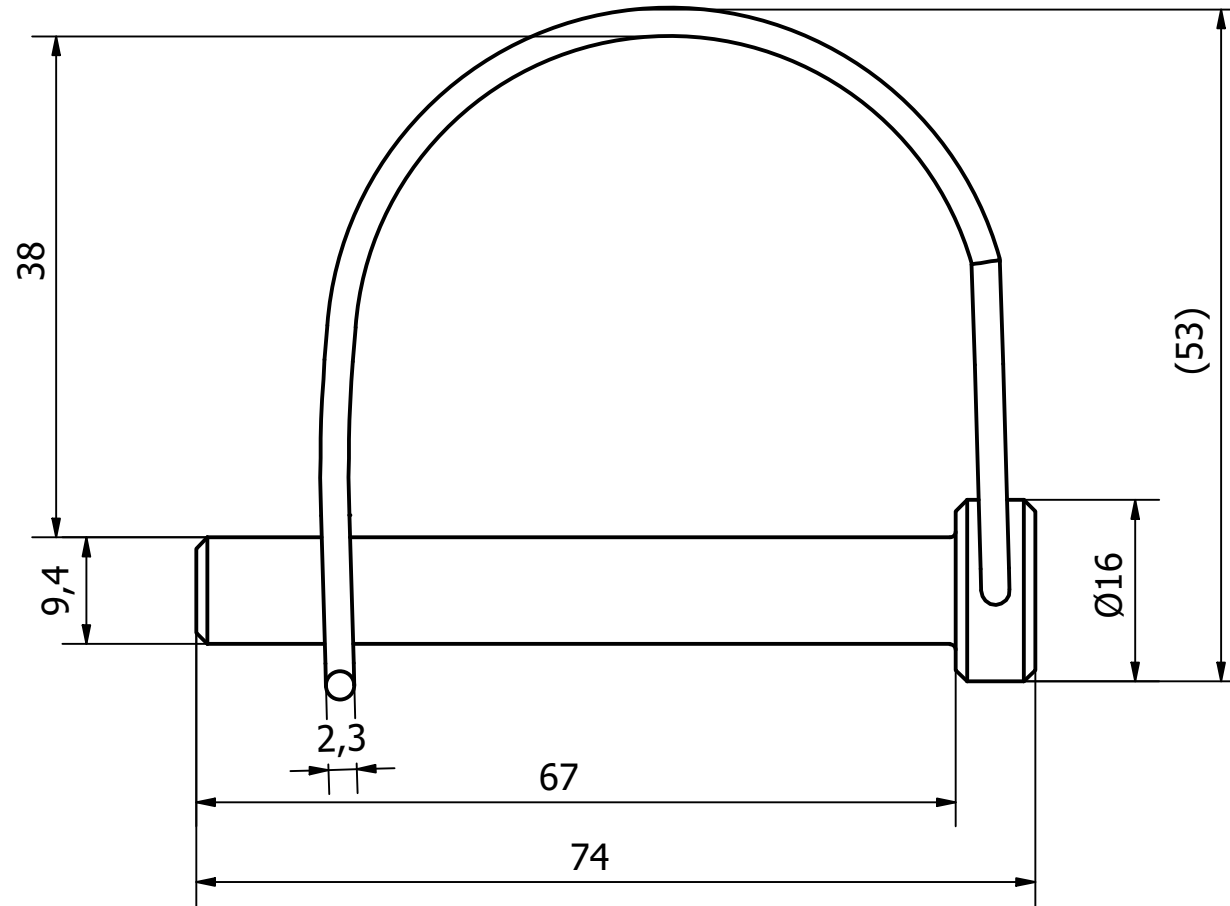


PARTS LIST			
ITEM	QTY	PART NUMBER	DESCRIPTION
1	1	1056-810-1	M/STEEL SHAFT SHANK - GOLD PASSIVATED ZINC PLATING
2	1	1056-810-2	M/STEEL WIRE LOOP - GOLD PASSIVATED ZINC PLATING



NOTE:

MATERIAL:

SHANK: CARBON STEEL 1010 (COLD HEADED)
RETAINER WIRE: TEMPERED M-B SPRING WIRE

FINISH:

CORROSION PROTECTION TO JCB STD00017 TYPE 4

REV	DESCRIPTION	DATE	APPROVED
1	VALIDATION COMPLETE	05/04/22	C.H
B	PROFILE MODIFIED	16/08/21	U.F

GENERAL TOLERANCES ON LENGTHS
0.5 - 6 ± 0.1mm
6 - 30 ± 0.2mm
30 - 120 ± 0.3mm
120 - 400 ± 0.5mm
400 - 1000 ± 0.8mm
1000 - 2000 ± 1.2mm
2000 - 4000 ± 2.0mm

ALBERT JAGGER LTD
GREEN LANE
WALSALL PHONE: 01922 471000
WEST MIDLANDS FAX: 01922 648021
WS2 8HG

THIS DRAWING & THE DESIGN SHOWN
ARE THE PROPERTY OF ALBERT JAGGER LTD
AND MUST NOT BE USED OR COPIED BY A
THIRD PARTY WITHOUT PERMISSION

DRAWN BY

A.S

CHECKED BY

A.P



SCALE

1.5:1

MATERIAL

SEE NOTE

MASS

N/A

FINISH

SEE NOTE

Date

07/08/2019

ALL DIMS IN MM
UNLESS STATED
DO NOT SCALE

A3



SHAFT LOCKING PIN	
1056-810	1 / 1