

6 5 4 3 2 1

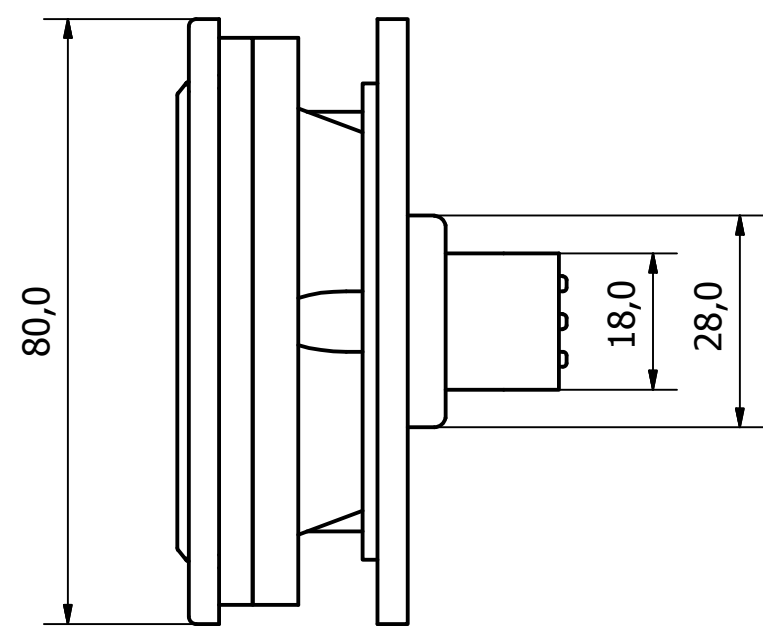
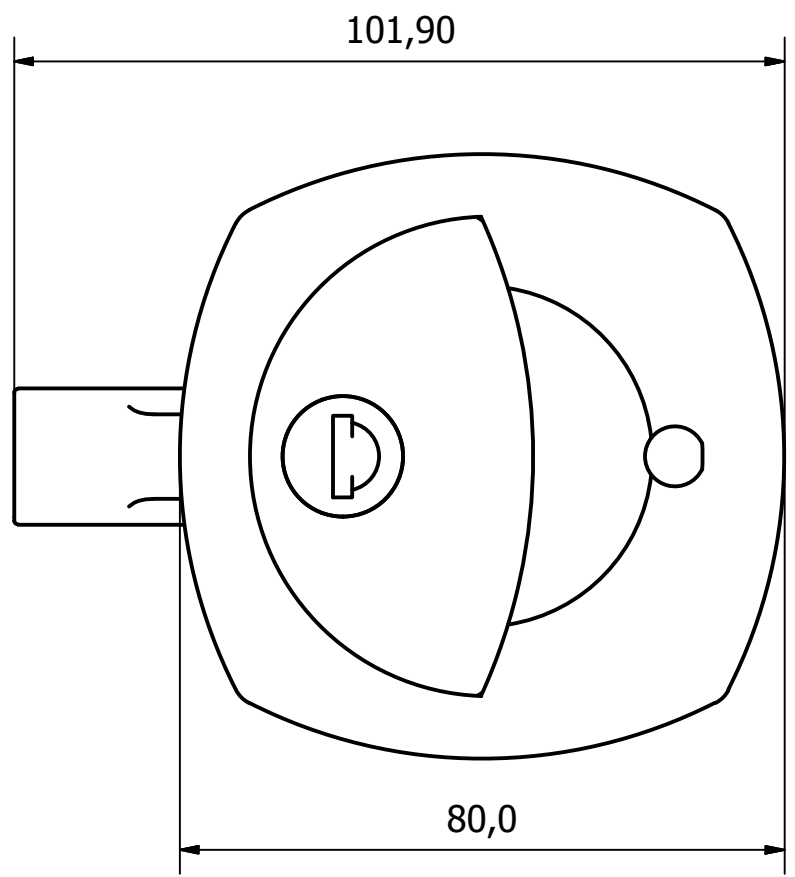
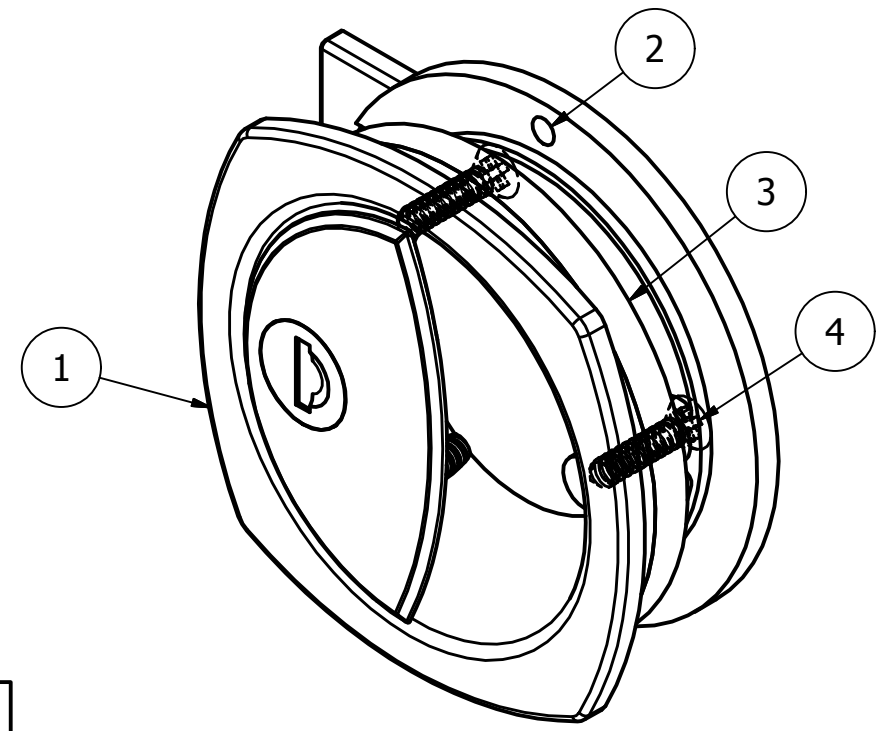
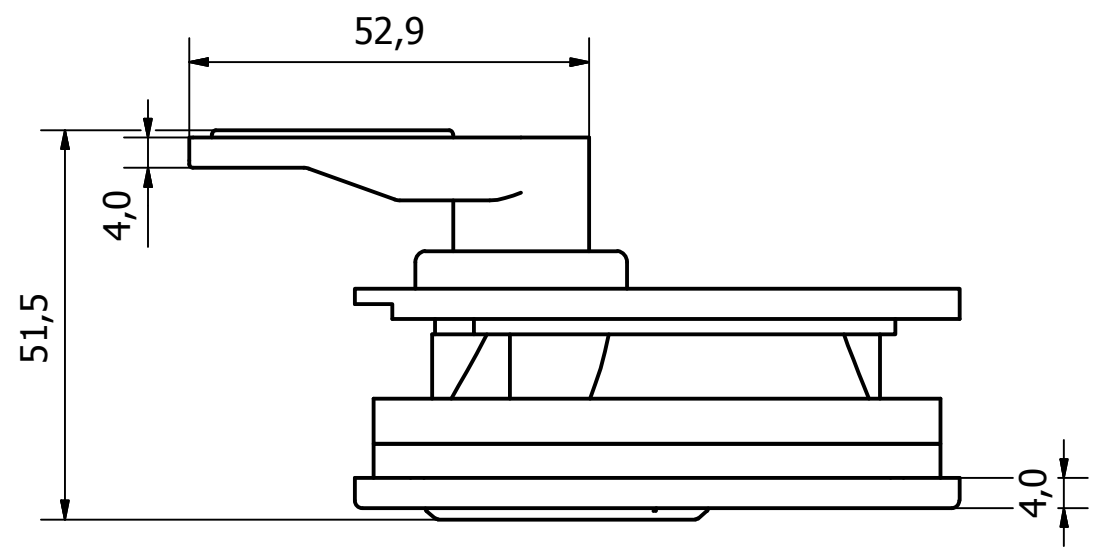
D D

C C

B B

A A

| PARTS LIST | | | |
|------------|-----|-------------|----------------------------------|
| ITEM | QTY | PART NUMBER | DESCRIPTION |
| 1 | 1 | 1199-001-1 | BLACK PLASTIC LOCK CASE ASSEMBLY |
| 2 | 1 | 1199-001-2 | BLACK PLASTIC LOCK COVER PLATE |
| 3 | 2 | 1199-001-3 | BLACK SPONGE SEAL |
| 4 | 3 | 1199-001-4 | M/STEEL Z/C PASSIVATE M5 SCREW |



BLACK PLASTIC CASE AND COVER PLATE, WITH A DIE-CAST CAM AND SPONGE SEALS. LOCK COMES WITH TWO KEYS.

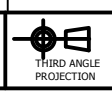
| GENERAL TOLERANCES ON LENGTHS |
|-------------------------------|
| 0.5 - 6 ± 0.1mm |
| 6 - 30 ± 0.2mm |
| 30 - 120 ± 0.3mm |
| 120 - 400 ± 0.5mm |
| 400 - 1000 ± 0.8mm |
| 1000 - 2000 ± 1.2mm |
| 2000 - 4000 ± 2.0mm |

ALBERT JAGGER LTD
 GREEN LANE
 WALSALL PHONE: 01922 471000
 WEST MIDLANDS FAX: 01922 648021
 WS2 8HG

THIS DRAWING & THE DESIGN SHOWN ARE THE PROPERTY OF ALBERT JAGGER LTD AND MUST NOT BE USED OR COPIED BY A THIRD PARTY WITHOUT PERMISSION

DRAWN BY
U.F

CHECKED BY
A.P



SCALE
1 : 1

MATERIAL
-

MASS
0.080 kg

FINISH
SEE TABLE

Date
18/05/2017

ALL DIMS IN MM UNLESS STATED DO NOT SCALE

A3

| | | | |
|-----|---------------------|----------|----------|
| 1 | VALIDATION COMPLETE | 27/07/17 | A.P |
| REV | DESCRIPTION | DATE | APPROVED |



BLACK RECESSED COMPARTMENT LOCK

1199-001

Edition 1
Sheet 1 / 1

6 5 4 3 2 1