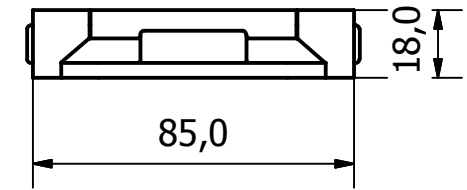
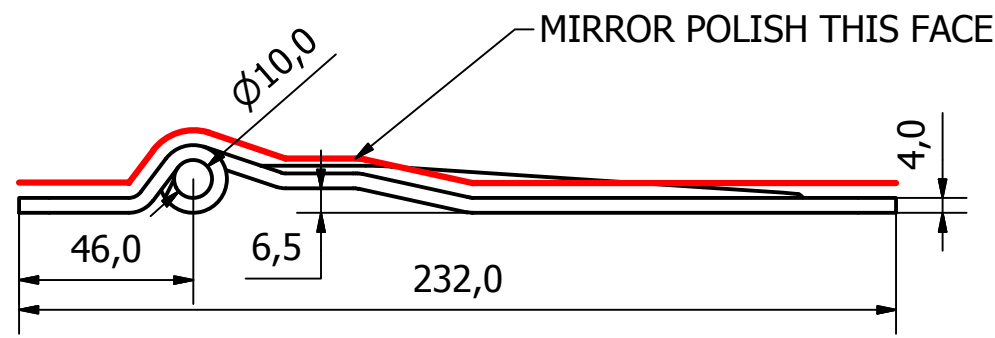
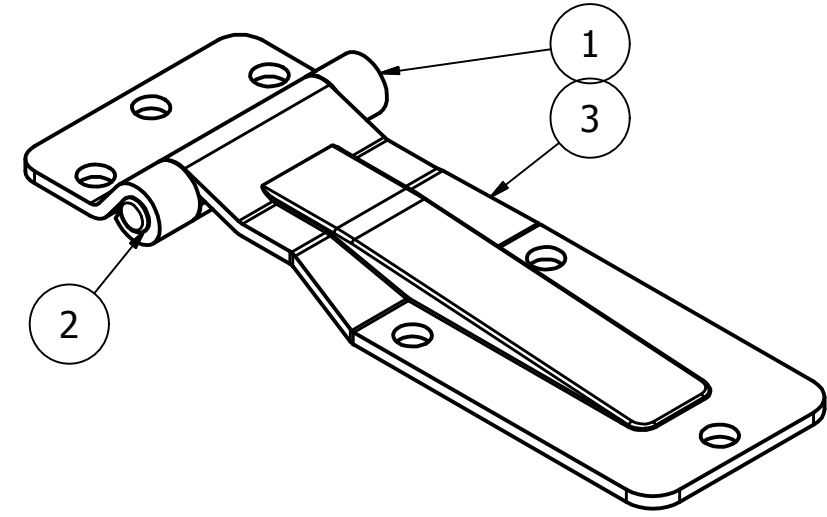
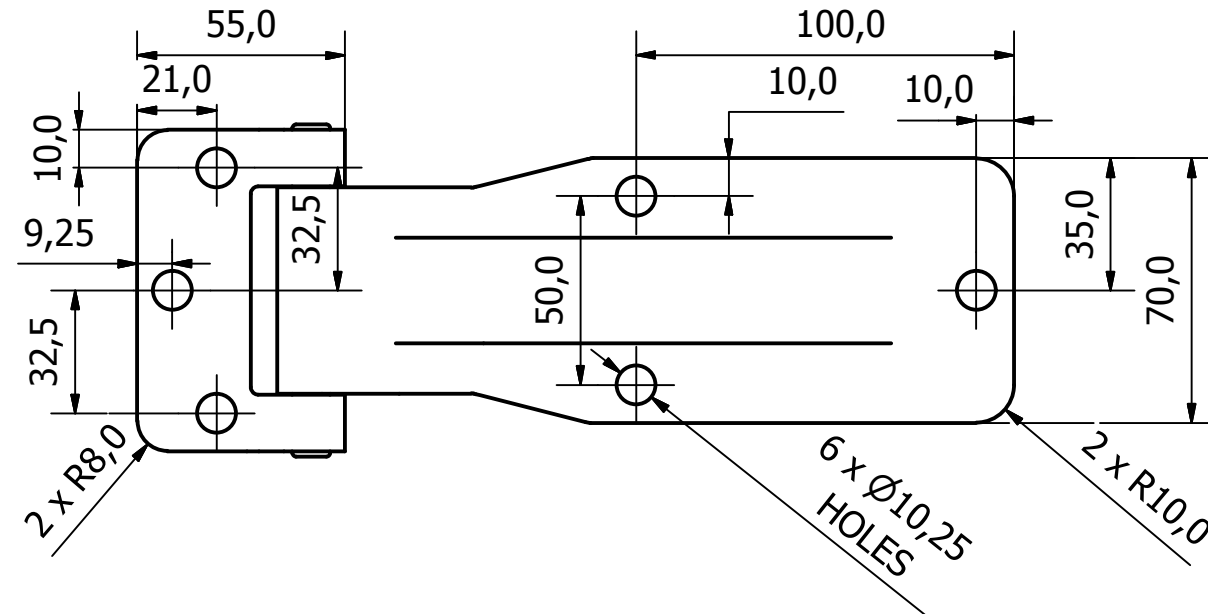


PARTS LIST			
ITEM	QTY	PART NUMBER	DESCRIPTION
1	1	2017-002-1	SS HINGE BASE PLATE - T304
2	1	2017-002-2	SS HINGE PIN 88 O/A - T304
3	1	2017-002-3	SS HINGE MAIN PLATE - T304



NOTE:
HINGE DESIGNED FOR 180° APPLICATIONS
BUT WILL ROTATE THROUGH 270°

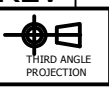
GENERAL TOLERANCES ON LENGTHS
0.5 - 6 ± 0.1mm
6 - 30 ± 0.2mm
30 - 120 ± 0.3mm
120 - 400 ± 0.5mm
400 - 1000 ± 0.8mm
1000 - 1200 ± 1.2mm
2000 - 4000 ± 2.0mm

ALBERT JAGGER LTD
GREEN LANE
WALSALL PHONE: 01922 471000
WEST MIDLANDS FAX: 01922 648021
WS2 8HG

THIS DRAWING & THE DESIGN SHOWN
ARE THE PROPERTY OF ALBERT JAGGER LTD
AND MUST NOT BE USED OR COPIED BY A
THIRD PARTY WITHOUT PERMISSION

DRAWN BY
U.F

CHECKED BY
A.P



SCALE
1 : 2

MATERIAL
-

MASS
0.718 kg

FINISH
SEE NOTE

Date
29/09/2016

ALL DIMS IN MM
UNLESS STATED
DO NOT SCALE

A3



1		VALIDATION COMPLETE	27/01/17	A.P
REV	DESCRIPTION	DATE	APPROVED	
2017-002	SS PRESSED DOOR HINGE - T304		Edition 1	Sheet 1 / 1