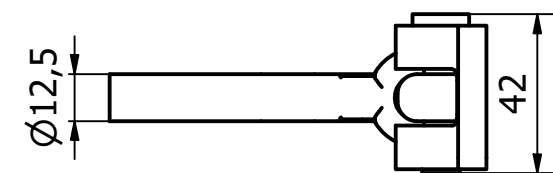
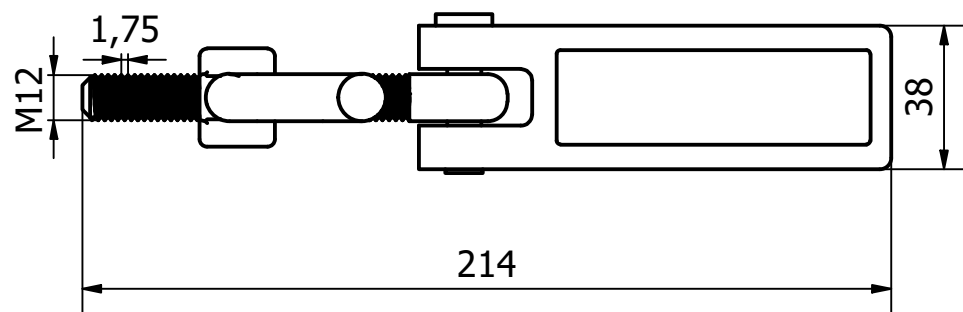
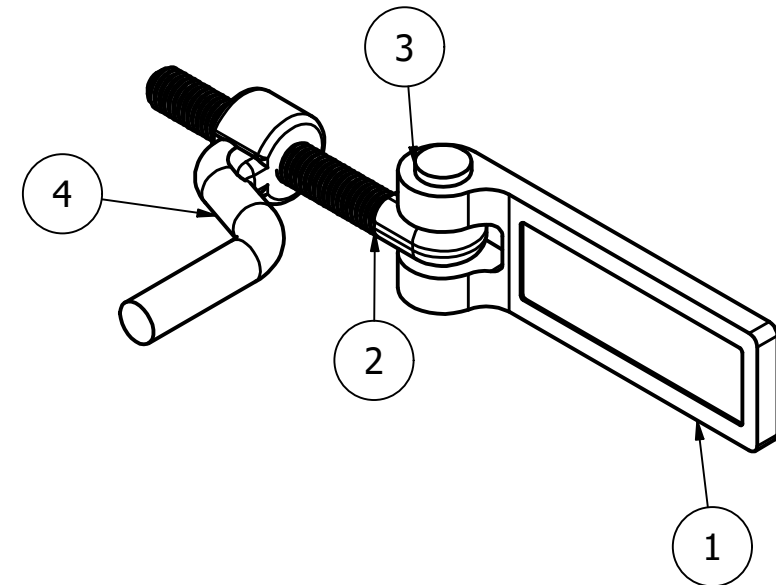
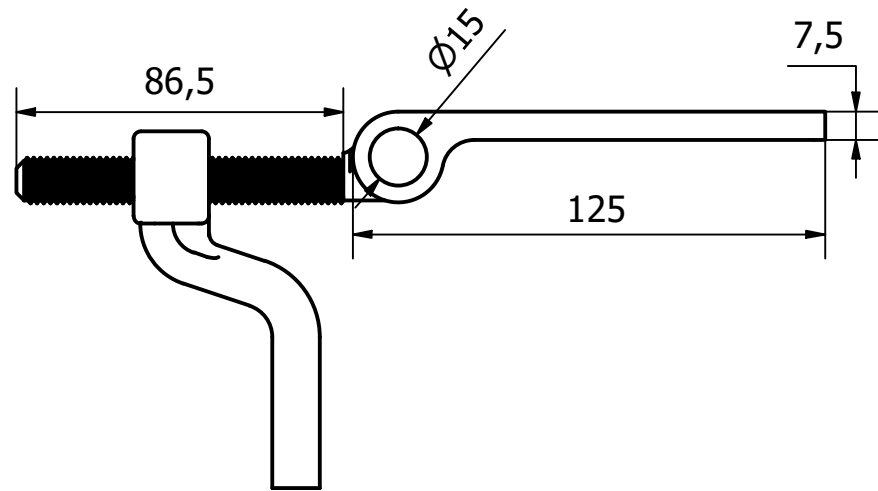


| PARTS LIST |     |             |                                     |
|------------|-----|-------------|-------------------------------------|
| ITEM       | QTY | PART NUMBER | DESCRIPTION                         |
| 1          | 1   | 2056-100-1  | SELF COLOURED M/STEEL FASTENER BODY |
| 2          | 1   | 2056-100-2  | SELF COLOURED M/STEEL THREAD        |
| 3          | 1   | 2056-100-3  | SELF COLOURED M/STEEL RIVET         |
| 4          | 1   | 2056-100-4  | SELF COLOURED M/STEEL HANDLE        |



| REV | DESCRIPTION         | DATE       | APPROVED |
|-----|---------------------|------------|----------|
| 2   | ADDED M12 THREAD    | 01/06/2022 | S.R      |
| 1   | VALIDATION COMPLETE | 24/05/19   | A.P      |

| GENERAL TOLERANCES ON LENGTHS |  |
|-------------------------------|--|
| 0.5 - 6 ± 0.1mm               |  |
| 6 - 30 ± 0.2mm                |  |
| 30 - 120 ± 0.3mm              |  |
| 120 - 400 ± 0.5mm             |  |
| 400 - 1000 ± 0.8mm            |  |
| 1000 - 2000 ± 1.2mm           |  |
| 2000 - 4000 ± 2.0mm           |  |

ALBERT JAGGER LTD  
 GREEN LANE  
 WALSALL PHONE: 01922 471000  
 WEST MIDLANDS FAX: 01922 648021  
 WS2 8HG

THIS DRAWING & THE DESIGN SHOWN  
 ARE THE PROPERTY OF ALBERT JAGGER LTD  
 AND MUST NOT BE USED OR COPIED BY A  
 THIRD PARTY WITHOUT PERMISSION

DRAWN BY  
 A.S

CHECKED BY  
 A.P

THIRD ANGLE  
 PROJECTION

SCALE  
 1:2

MATERIAL  
 SEE  
 DRAWING

MASS  
 0.560 kg

FINISH  
 SEE DRAWING

Date  
 08/05/2019

ALL DIMS IN MM  
 UNLESS STATED  
 DO NOT SCALE

A3



RAMP FASTENER ASSEMBLY - M12

2056-100

Edition  
 2

Sheet  
 1 / 1