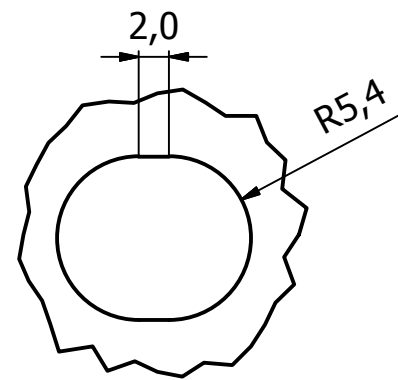
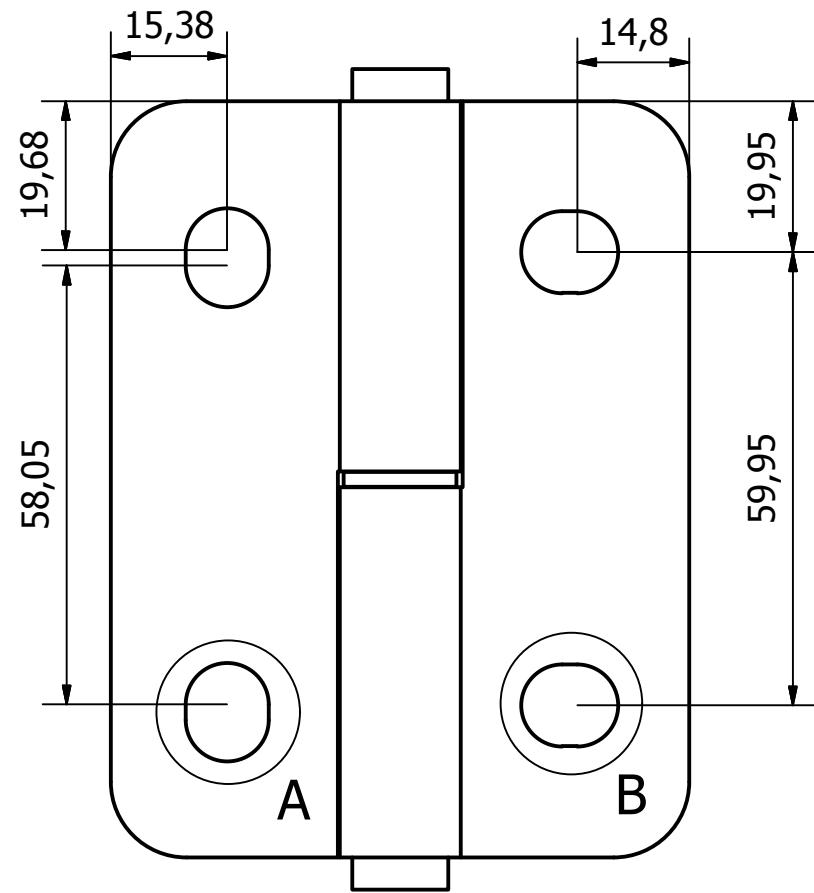


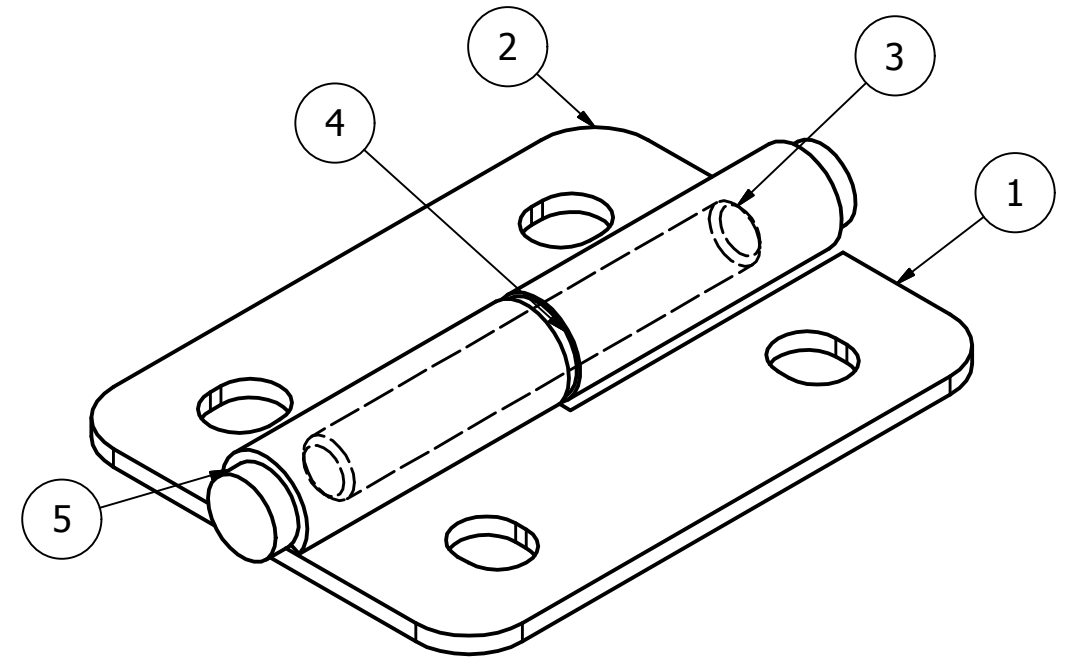
DETAIL A
TYP 2 PLACES



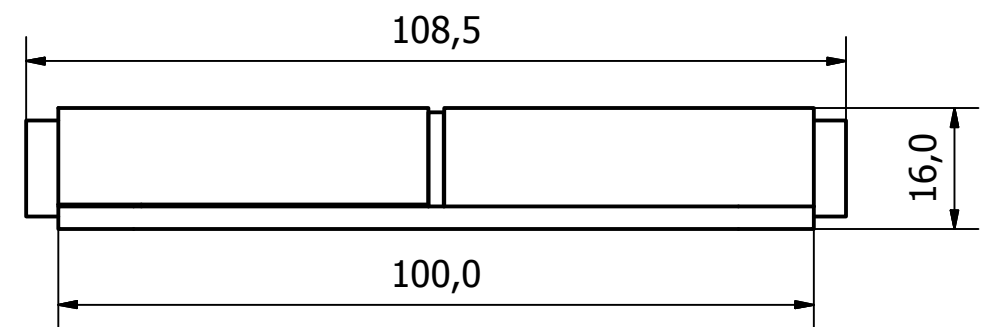
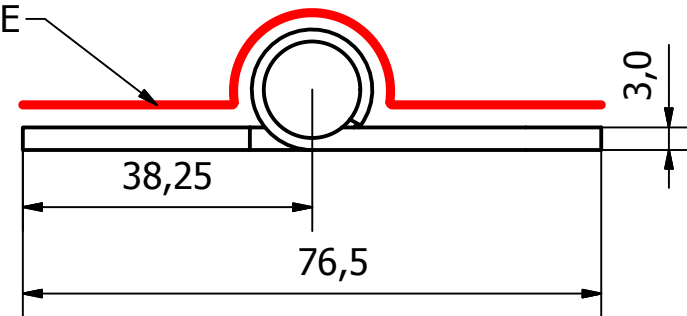
DETAIL B
TYP 2 PLACES



PARTS LIST			
ITEM	QTY	PART NUMBER	DESCRIPTION
1	1	2214-505-1	SS MAIN HINGE FLAP - RH
2	1	2214-505-2	SS MOUNTING HINGE FLAP - RH
3	1	2214-5051-3	SS HINGE PIN - 77.9 O/A
4	1	2214-5051-4	SS WASHER - 14.9 O/D
5	2	2214-5051-5	PLASTIC END PLUG



MIRROR POLISH THIS FACE



1	VALIDATION COMPLETE	05/12/16	A.P
REV	DESCRIPTION	DATE	APPROVED

GENERAL TOLERANCES ON LENGTHS
0.5 - 6 ± 0.1mm
6 - 30 ± 0.2mm
30 - 120 ± 0.3mm
120 - 400 ± 0.5mm
400 - 1000 ± 0.8mm
1000 - 1200 ± 1.2mm
2000 - 4000 ± 2.0mm

ALBERT JAGGER LTD
GREEN LANE
WALSALL PHONE: 01922 471000
WEST MIDLANDS FAX: 01922 648021
WS2 8HG

THIS DRAWING & THE DESIGN SHOWN
ARE THE PROPERTY OF ALBERT JAGGER LTD
AND MUST NOT BE USED OR COPIED BY A
THIRD PARTY WITHOUT PERMISSION

DRAWN BY
U.F

CHECKED BY
A.P



SCALE
1 : 1

MATERIAL
-

MASS
0.281 kg

FINISH
SEE NOTE

Date
19/10/2016

ALL DIMS IN MM
UNLESS STATED
DO NOT SCALE

A3



SS LIFT OFF HINGE - RH	
2214-505	Edition 1 / Sheet 1 / 1