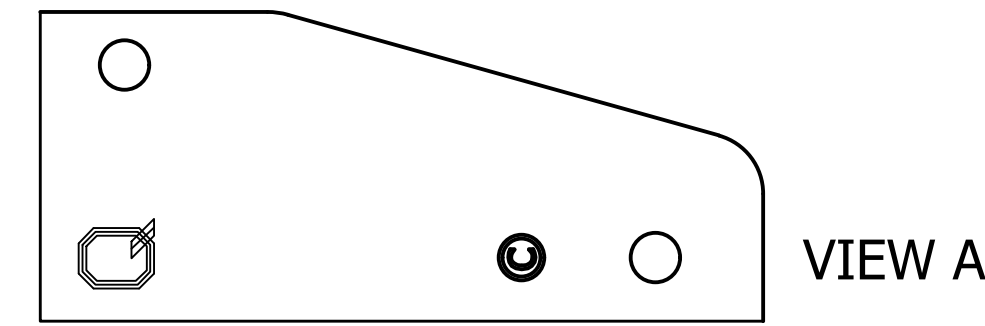
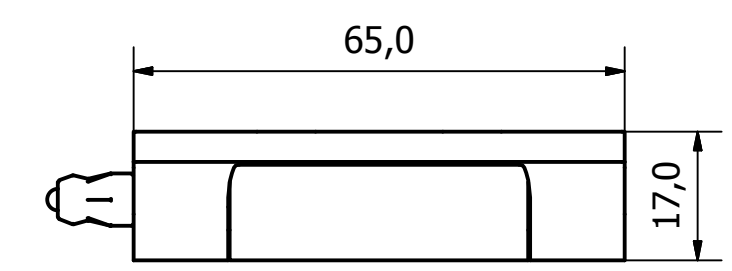
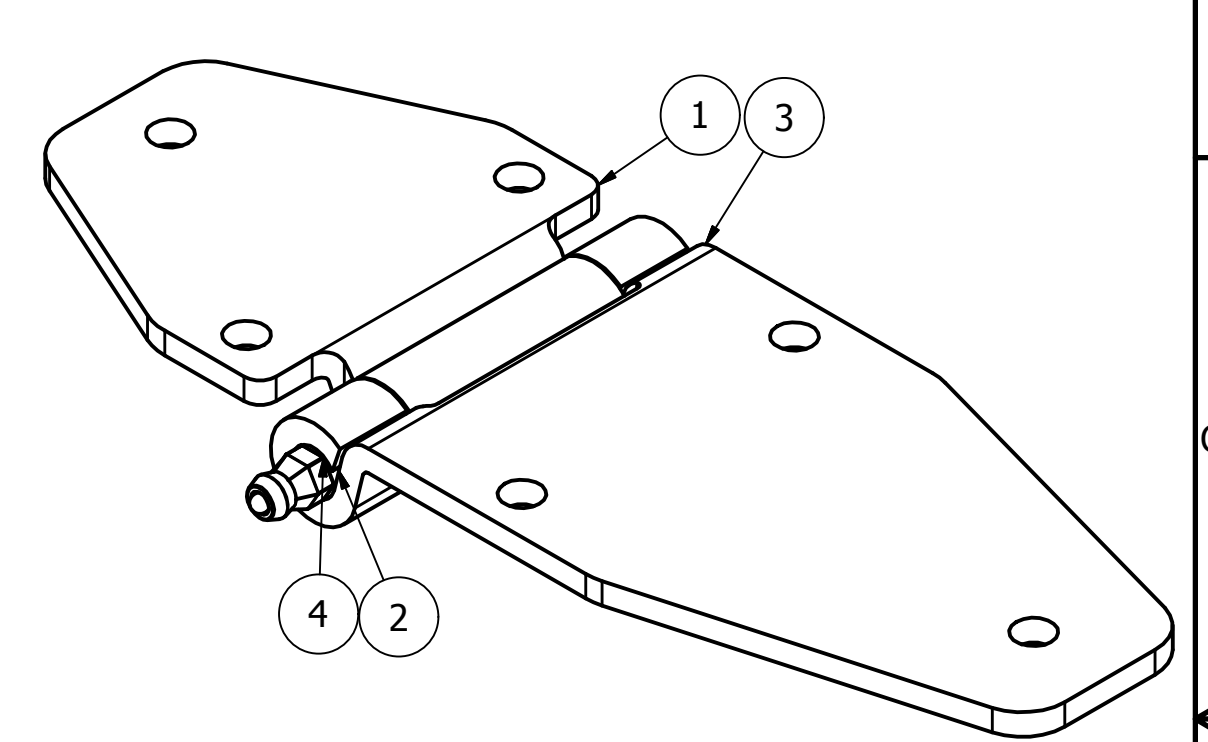


PARTS LIST			
ITEM	QTY	PART NUMBER	DESCRIPTION
1	1	2216-001-1	HINGE MAIN PLATE - M/STEEL
2	1	2216-001-2	HINGE PIN 65 O/A - M/STEEL
3	1	2216-001-3	HINGE MOUNTING PLATE - M/STEEL
4	1	GREASE NIPPLE	GREASE NIPPLE



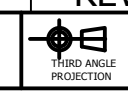
NOTE:
HINGE DESIGNED FOR 180° APPLICATIONS
BUT WILL ROTATE THROUGH 270°

GENERAL TOLERANCES ON LENGTHS
0.5 - 6 ± 0.1mm
6 - 30 ± 0.2mm
30 - 120 ± 0.3mm
120 - 400 ± 0.5mm
400 - 1000 ± 0.8mm
1000 - 1200 ± 1.2mm
2000 - 4000 ± 2.0mm

ALBERT JAGGER LTD
GREEN LANE
WALSALL PHONE: 01922 471000
WEST MIDLANDS FAX: 01922 648021
WS2 8HG

THIS DRAWING & THE DESIGN SHOWN
ARE THE PROPERTY OF ALBERT JAGGER LTD
AND MUST NOT BE USED OR COPIED BY A
THIRD PARTY WITHOUT PERMISSION

DRAWN BY U.F	CHECKED BY A.P
-----------------	-------------------



SCALE 1 : 1

MATERIAL -

MASS 0.387 kg

FINISH Z/C PASSIVATE

Date 28/09/2016

ALL DIMS IN MM UNLESS STATED DO NOT SCALE

A3



PRESSED STEEL HINGE - M/STEEL	
2216-001	2216-001
Edition 1	Sheet 1 / 1