

IF IN DOUBT ASK

IF IN DOUBT ASK

8 7 6 5 4 3 2 1

A

B

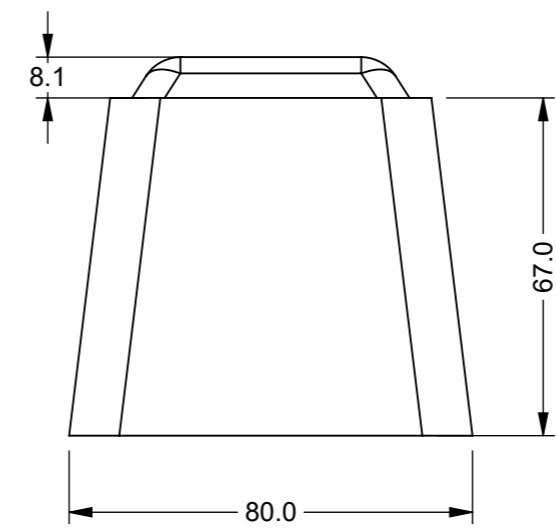
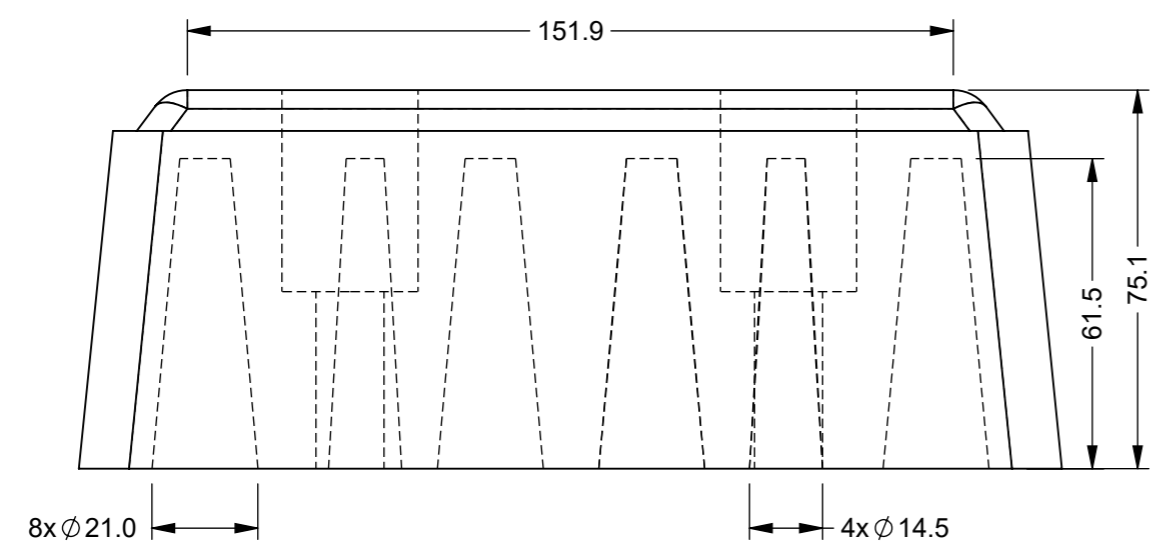
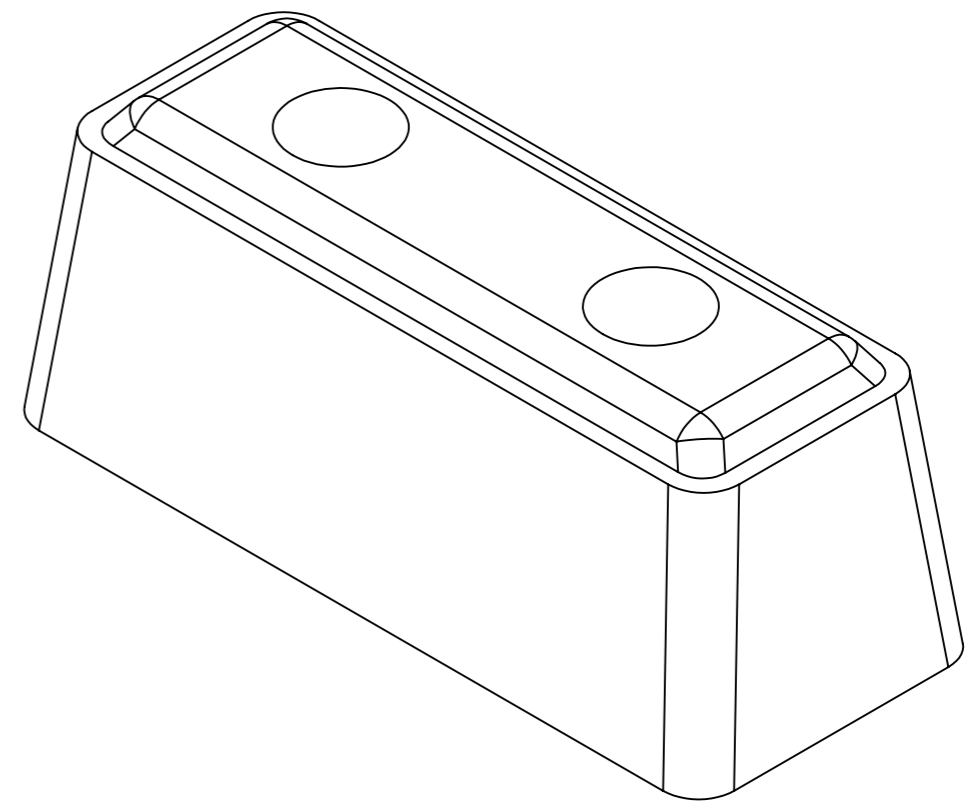
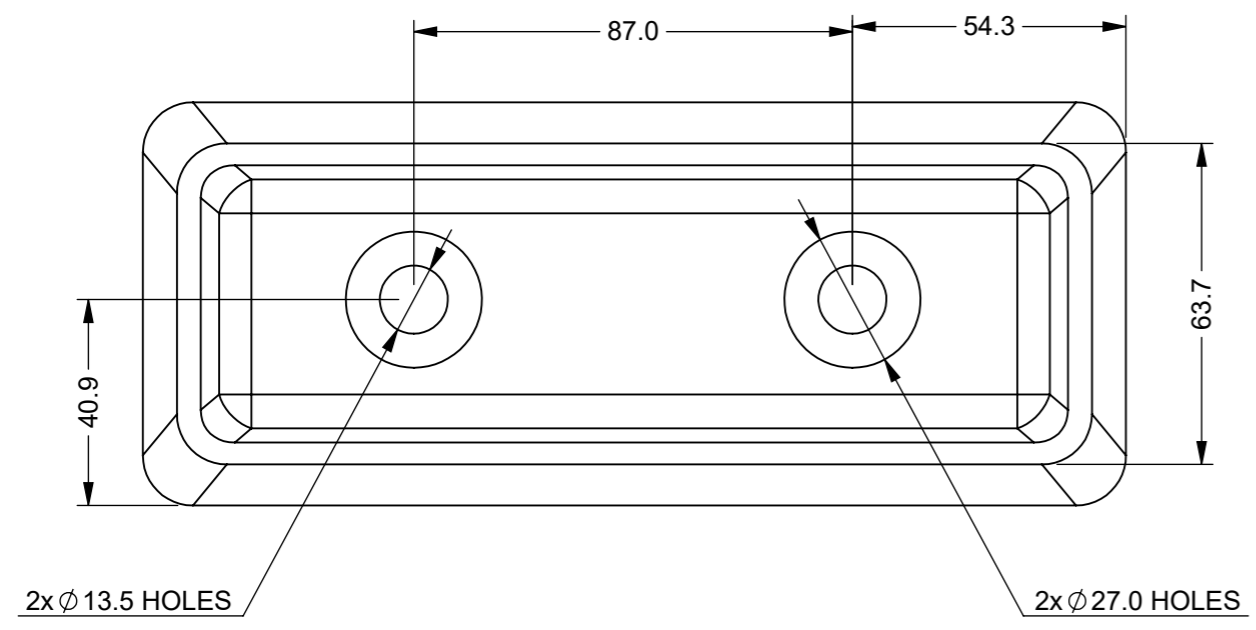
C

D

E

F

8 7 6 5 4 3 2 1



	1	VALIDATION COMPLETE	04/05/2023	AP
ZONE	REV.	DESCRIPTION	DATE	APPROVED

UNLESS OTHERWISE STATED, ALL DIMENSIONS IN mm

TOLERANCES		SURFACE FINISH 1.6µm Ra	
0.5 - 6	= ±0.1mm	FILLET RADII	0.5 TO 1.0
6 - 30	= ±0.2 mm	SQUARENESS	0.05 IN 25
30 - 120	= ±0.3 mm	PARALLELISM	0.05 IN 25
120 - 400	= ±0.5 mm	RUNOUT	0.1
400 - 1000	= ±0.8 mm	ANGLES	±0.5°
1000 - 2000	= ±1.2 mm		
2000 - 4000	= ±2.0 mm		

MATERIAL: Synthetic Rubber	DRAWN BY: SR		DESCRIPTION: Rubber Square Buffer - Heavy Duty Impact		A3	
MASS: 1.1KG	CHECKED BY: AP		NUMBER: 2502-0300	REVISION: 1		SHEET: 1 of 1
FINISH: BLACK	APPROVED BY: AP		ORIGINATION DATE: 04/05/2023	SCALE : PROPORTIONAL - DO NOT SCALE REF SCALE 1:2 WHEN PRINTED ON A3		
				PROJECTION 3rd ANGLE		

PROPRIETARY RIGHTS ARE INCLUDED IN THE INFORMATION DISCLOSED HEREIN. NEITHER THIS DOCUMENT NOR ANY INFORMATION DISCLOSED SHALL BE REPRODUCED, USED, TRANSFERRED TO OTHER DOCUMENTS, OR DISCLOSED TO OTHERS FOR ANY PURPOSE INCLUDING MANUFACTURING UNLESS SPECIFICALLY AUTHORIZED IN WRITING. REMOVE ALL SHARP EDGES AND BURRS PART FINISHING AND MARKING TO CESF001