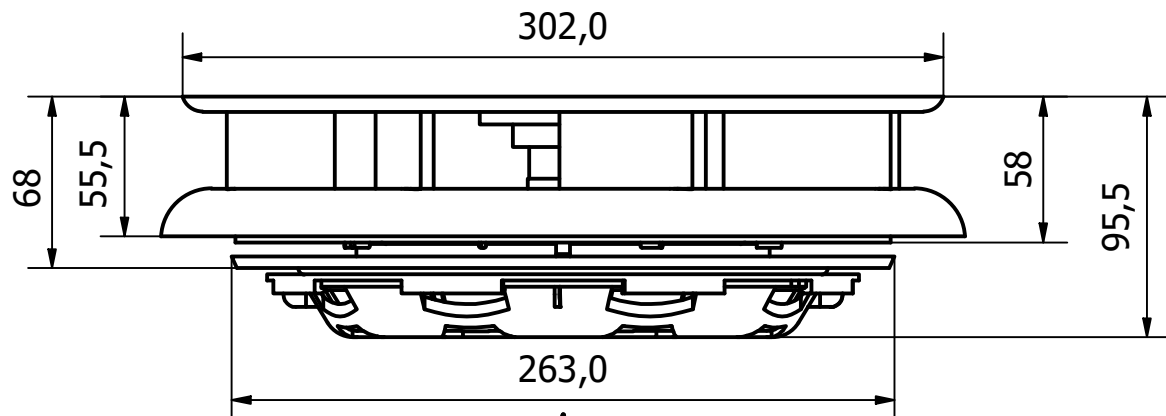


NOTE:

ABS CONSTRUCTION
 304 STAINLESS STEEL SPINDLES & BEARINGS
 COMPLETE WITH INTERNAL GRILL AND SHUTTER
 INTEGRAL NEOPRENE SEALING GASKET
 SUIT ROOF THICKNESS 1-21mm



PART No.	FINISH
2527/006	BLACK
2527/007	WHITE

REV	DESCRIPTION	DATE	APPROVED
4	NOTE MODIFIED	22/10/21	U.F
3	STUD LENGTHS ALTERED	25/05/21	U.F
2	DESIGN MODIFIED	11/05/18	U.F
1	VALIDATION COMPLETE	25/01/17	A.P

GENERAL TOLERANCES ON LENGTHS

0.5 - 6 ± 0.1mm
6 - 30 ± 0.2mm
30 - 120 ± 0.3mm
120 - 400 ± 0.5mm
400 - 1000 ± 0.8mm
1000 - 2000 ± 1.2mm
2000 - 4000 ± 2.0mm

ALBERT JAGGER LTD
 GREEN LANE
 WALSALL WEST MIDLANDS WS2 8HG
 PHONE: 01922 471000
 FAX: 01922 648021

THIS DRAWING & THE DESIGN SHOWN ARE THE PROPERTY OF ALBERT JAGGER LTD AND MUST NOT BE USED OR COPIED BY A THIRD PARTY WITHOUT PERMISSION

DRAWN BY
 U.F

CHECKED BY
 A.P



SCALE
 1 : 3

MATERIAL
 SEE NOTE

MASS
 0.466 kg

FINISH
 SEE TABLE

Date
 08/05/2018

ALL DIMS IN MM UNLESS STATED DO NOT SCALE

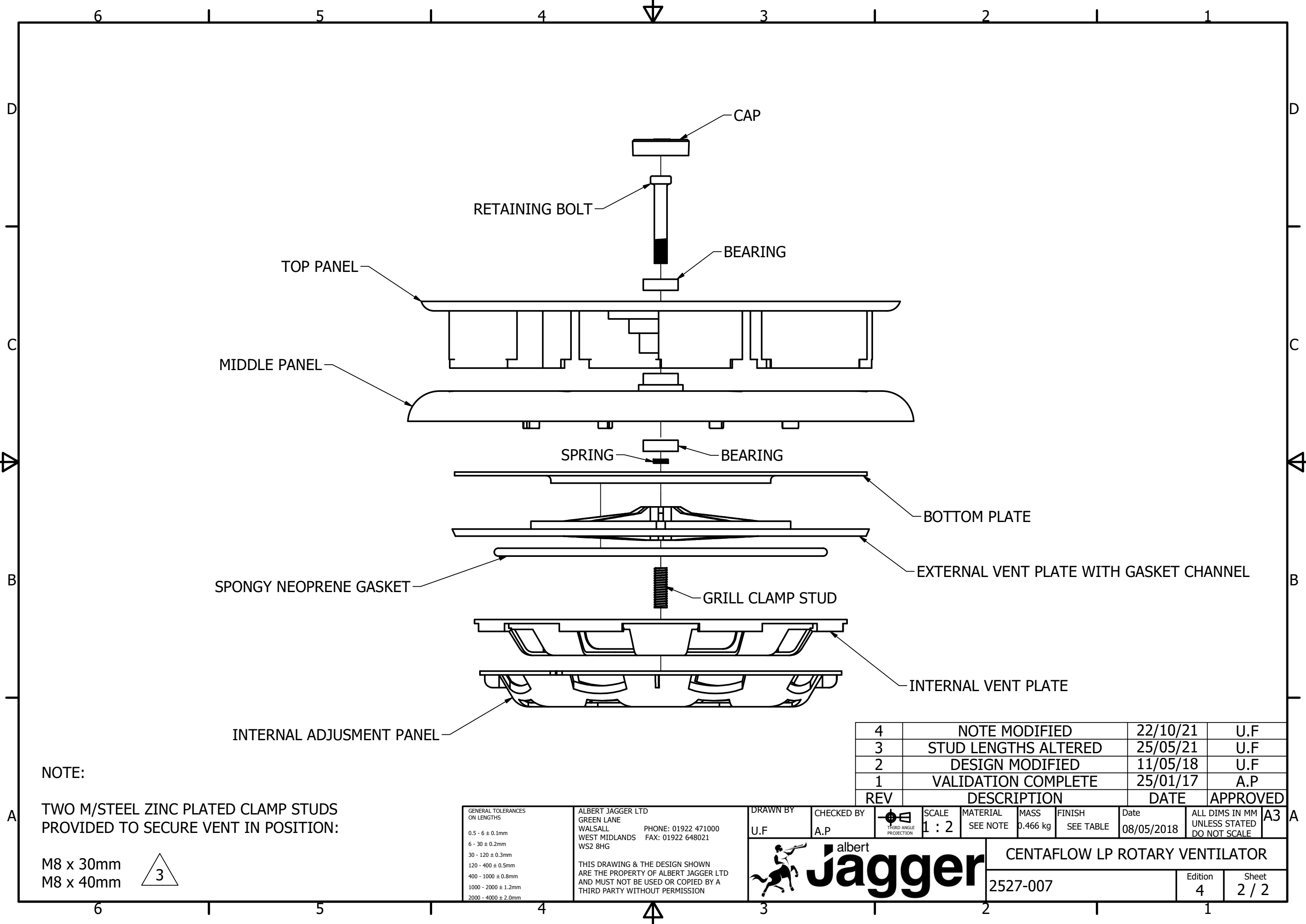
A3



CENTAFLOW LP ROTARY VENTILATOR
 2527-007

Edition 4	Sheet 1 / 2
--------------	----------------

VIEW A



NOTE:

TWO M/STEEL ZINC PLATED CLAMP STUDS PROVIDED TO SECURE VENT IN POSITION:

M8 x 30mm
M8 x 40mm



REV	DESCRIPTION	DATE	APPROVED
4	NOTE MODIFIED	22/10/21	U.F
3	STUD LENGTHS ALTERED	25/05/21	U.F
2	DESIGN MODIFIED	11/05/18	U.F
1	VALIDATION COMPLETE	25/01/17	A.P

GENERAL TOLERANCES ON LENGTHS	
0.5 - 6 ± 0.1mm	
6 - 30 ± 0.2mm	
30 - 120 ± 0.3mm	
120 - 400 ± 0.5mm	
400 - 1000 ± 0.8mm	
1000 - 2000 ± 1.2mm	
2000 - 4000 ± 2.0mm	

ALBERT JAGGER LTD
GREEN LANE
WALSALL
WEST MIDLANDS
WS2 8HG

PHONE: 01922 471000
FAX: 01922 648021

THIS DRAWING & THE DESIGN SHOWN ARE THE PROPERTY OF ALBERT JAGGER LTD AND MUST NOT BE USED OR COPIED BY A THIRD PARTY WITHOUT PERMISSION

DRAWN BY
U.F

CHECKED BY
A.P



SCALE
1 : 2

MATERIAL
SEE NOTE

MASS
0.466 kg

FINISH
SEE TABLE

Date
08/05/2018

ALL DIMS IN MM UNLESS STATED DO NOT SCALE

A3



albert Jagger

CENTAFLW LP ROTARY VENTILATOR

2527-007

Edition 4
Sheet 2 / 2