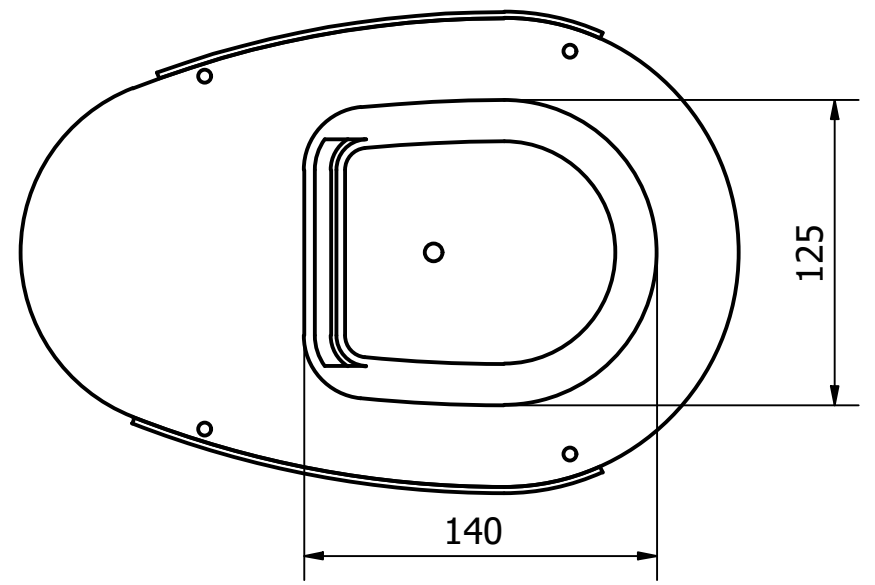
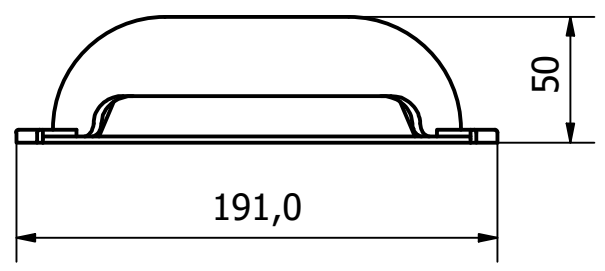
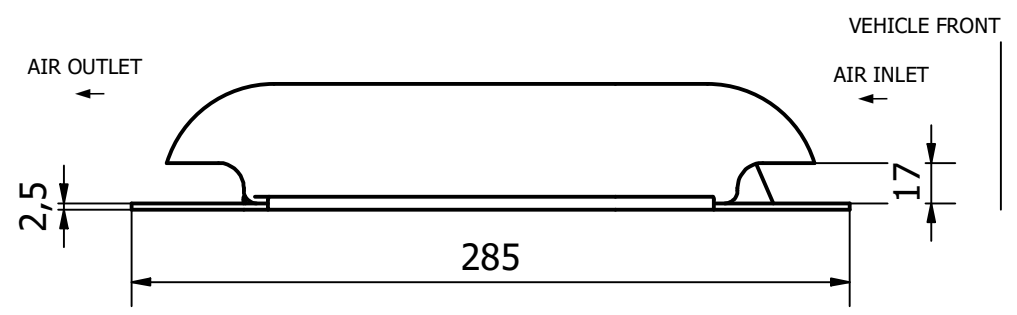
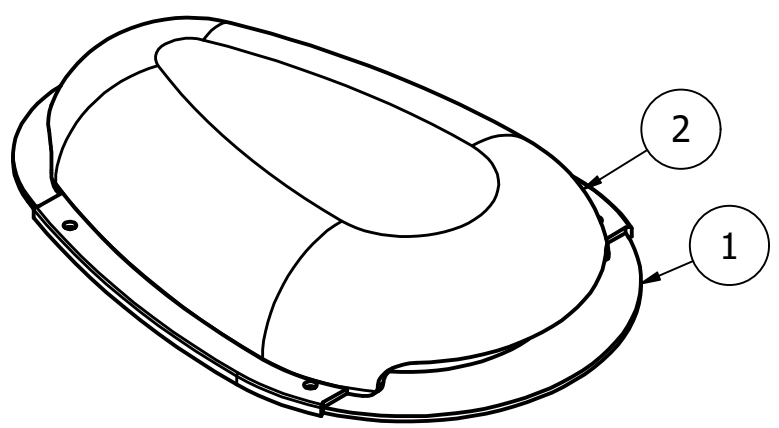
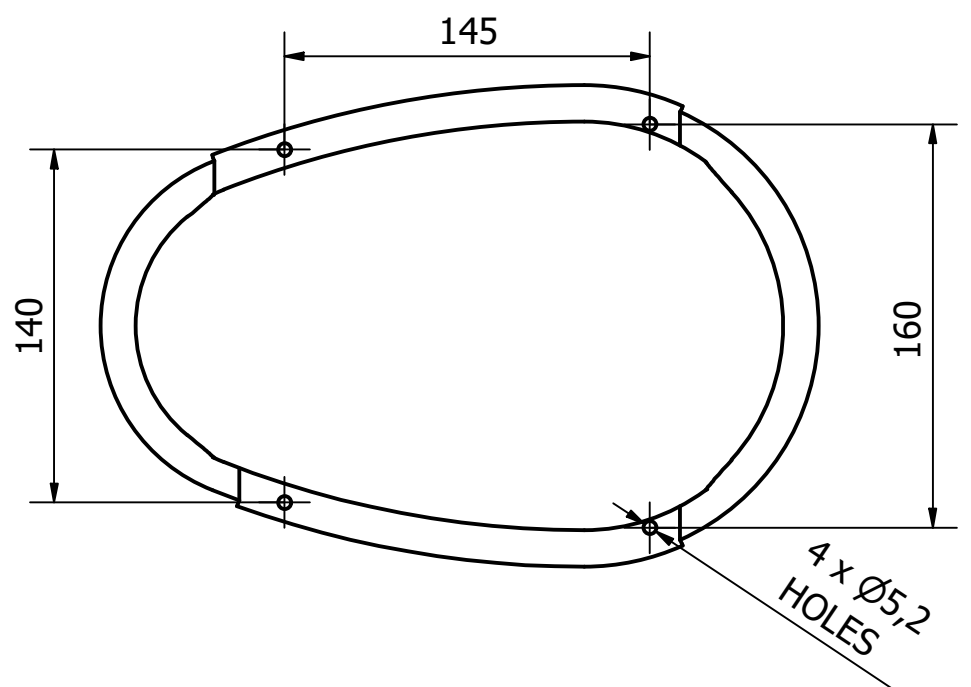


PARTS LIST			
ITEM	QTY	PART NUMBER	DESCRIPTION
1	1	2527-011-1	VENTILATOR BASE PLATE
2	1	2527-011-2	VENTILATOR TOP COVER



REV	DESCRIPTION	DATE	APPROVED
2	FINISH COLOUR CORRECTED	19/02/21	U.F
1	VALIDATION COMPLETE	19/11/19	A.P

GENERAL TOLERANCES ON LENGTHS	
0.5 - 6	± 0.1mm
6 - 30	± 0.2mm
30 - 120	± 0.3mm
120 - 400	± 0.5mm
400 - 1000	± 0.8mm
1000 - 2000	± 1.2mm
2000 - 4000	± 2.0mm

ALBERT JAGGER LTD  
 GREEN LANE  
 WALSALL WEST MIDLANDS WS2 8HG  
 PHONE: 01922 471000  
 FAX: 01922 648021

THIS DRAWING & THE DESIGN SHOWN ARE THE PROPERTY OF ALBERT JAGGER LTD AND MUST NOT BE USED OR COPIED BY A THIRD PARTY WITHOUT PERMISSION

DRAWN BY  
U.F

CHECKED BY  
A.P



SCALE  
1:3

MATERIAL  
ASA PLASTIC

MASS  
0.402 kg

FINISH  
WHITE

Date  
23/08/2017

ALL DIMS IN MM UNLESS STATED DO NOT SCALE

A3



ASA PLASTIC ROOFTOP VENTILATOR

2527-011

Edition  
2

Sheet  
1 / 1