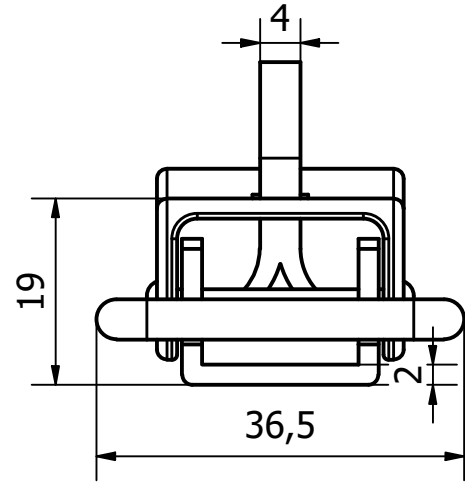
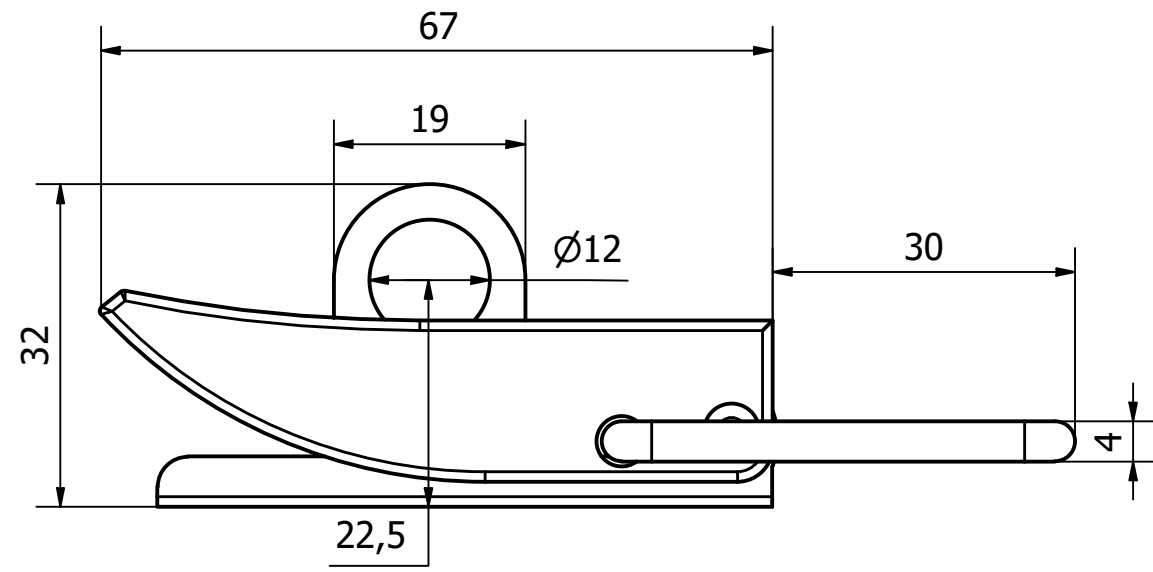
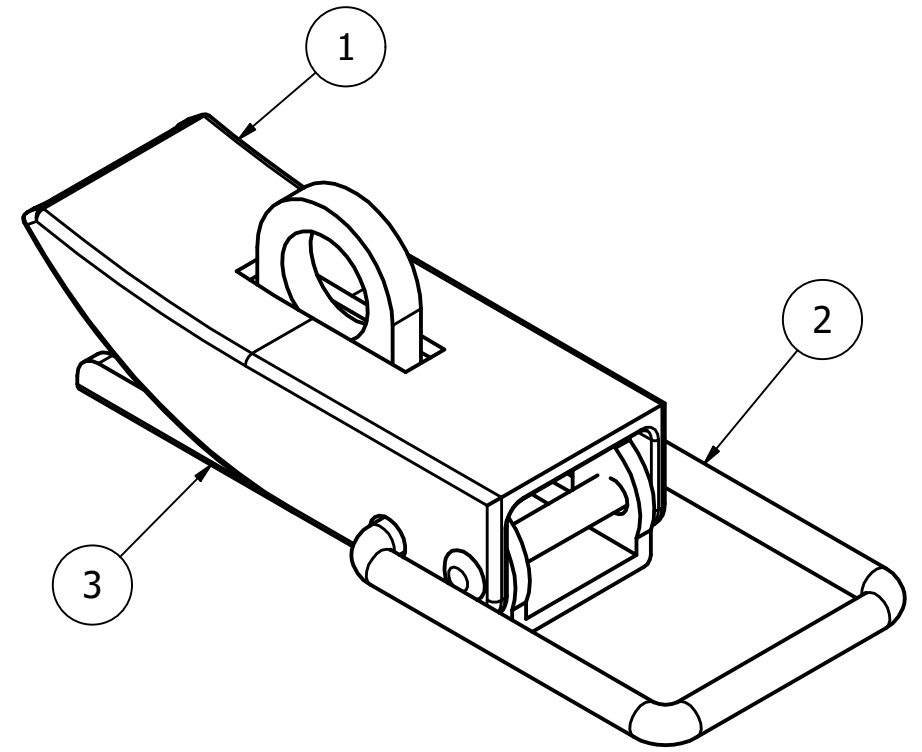
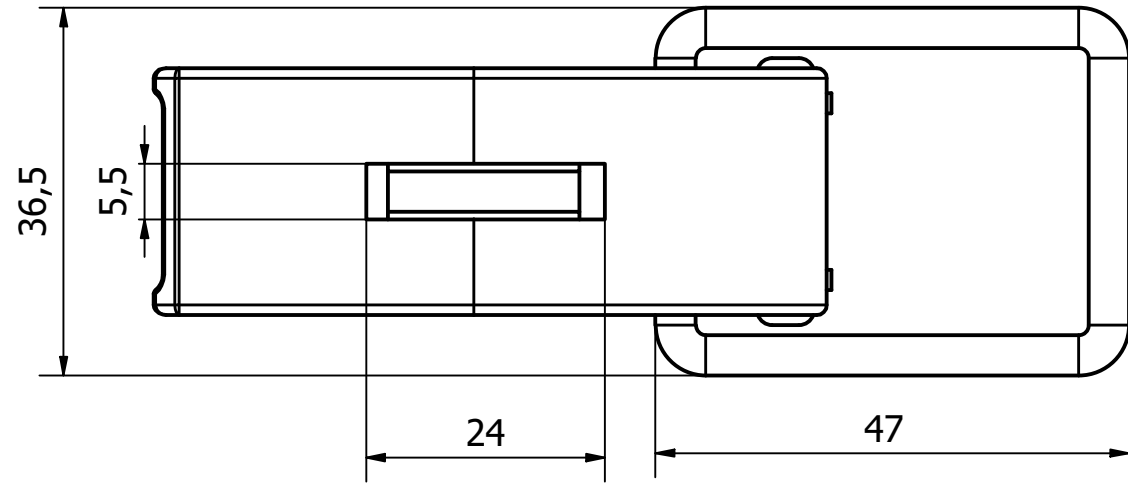


PARTS LIST			
ITEM	QTY	PART NUMBER	DESCRIPTION
1	1	2676-001-1	M/STEEL- SELF COLOURED FASTENER BODY
2	1	2676-002-2	M/STEEL- FASTENER RING -SELF COLOURED
3	1	2676-001-3	M/STEEL- PADLOCK 12MM LOOP-SELF COLOURED



REV	DESCRIPTION	DATE	APPROVED
1	VALIDATION COMPLETE	11/01/2022	C.H

GENERAL TOLERANCES ON LENGTHS
0.5 - 6 ± 0.1mm
6 - 30 ± 0.2mm
30 - 120 ± 0.3mm
120 - 400 ± 0.5mm
400 - 1000 ± 0.8mm
1000 - 2000 ± 1.2mm
2000 - 4000 ± 2.0mm

ALBERT JAGGER LTD  
 GREEN LANE  
 WALSALL PHONE: 01922 471000  
 WEST MIDLANDS FAX: 01922 648021  
 WS2 8HG

THIS DRAWING & THE DESIGN SHOWN ARE THE PROPERTY OF ALBERT JAGGER LTD AND MUST NOT BE USED OR COPIED BY A THIRD PARTY WITHOUT PERMISSION

DRAWN BY  
S.R

CHECKED BY  
C.H



SCALE  
2 : 1.5

MATERIAL  
SEE TABLE

MASS  
0.103 kg

FINISH  
SEE TABLE

Date  
07/01/2022

ALL DIMS IN MM UNLESS STATED DO NOT SCALE

A3



OVERCENTRE FASTENER - SELF COLOUR STEEL

2676-001

Edition 1 Sheet 1 / 1