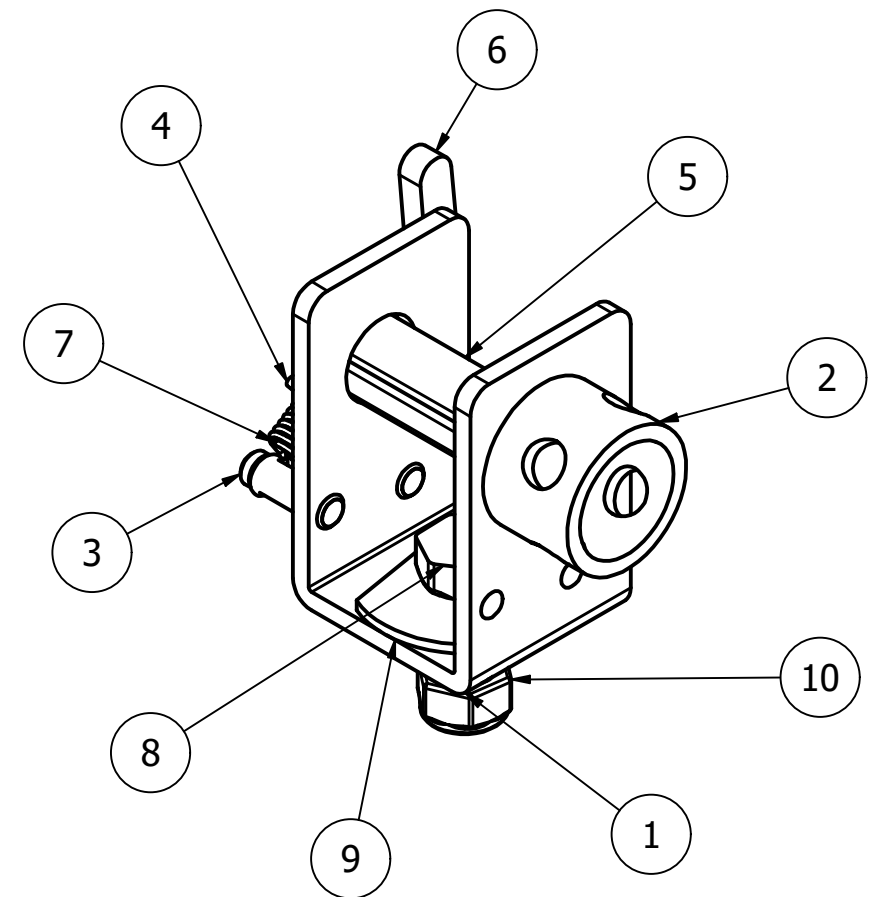


PARTS LIST			
ITEM	QTY	PART NUMBER	DESCRIPTION
1	1	2712-005-1	M/STEEL STRAP BASE - ZINC + GOLD PASSIVATED
2	1	2712-005-2	M/STEEL CYLINDER - ZINC + GOLD PASSIVATED
3	1	2712-005-3	M/STEEL SPRING PIN - ZINC + GOLD PASSIVATED
4	1	2712-005-5	M/STEEL GEAR WHEEL - ZINC + GOLD PASSIVATED
5	1	2712-005-6	M/STEEL SPRING PIN - ZINC + GOLD PASSIVATED
6	1	2712-005-7	M/STEEL RH HANDLE - ZINC + GOLD PASSIVATED
7	1	2712-005-8	M/STEEL COIL SPRING - ZINC PASSIVATED
8	1	2712-005-9	M/STEEL ZINC PLATED BOLT
9	1	2712-005-4	M/STEEL STRAP PLATE ZINC + GOLD PASSIVATED
10	1	2712-005-10	M/STEEL ZINC PLATED BOLT



1	VALIDATION COMPLETE	04/10/21	C.H
REV	DESCRIPTION	DATE	APPROVED

GENERAL TOLERANCES ON LENGTHS
0.5 - 6 ± 0.1mm
6 - 30 ± 0.2mm
30 - 120 ± 0.3mm
120 - 400 ± 0.5mm
400 - 1000 ± 0.8mm
1000 - 2000 ± 1.2mm
2000 - 4000 ± 2.0mm

ALBERT JAGGER LTD  
 GREEN LANE  
 WALSALL PHONE: 01922 471000  
 WEST MIDLANDS FAX: 01922 648021  
 WS2 8HG

THIS DRAWING & THE DESIGN SHOWN ARE THE PROPERTY OF ALBERT JAGGER LTD AND MUST NOT BE USED OR COPIED BY A THIRD PARTY WITHOUT PERMISSION

DRAWN BY S.R  
 CHECKED BY C.H  
 SCALE 1 : 2  
 MATERIAL SEE TABLE  
 MASS 1.326 kg  
 FINISH SEE TABLE  
 Date 04/10/2021  
 ALL DIMS IN MM UNLESS STATED DO NOT SCALE

**albert Jagger**

LASHING WINCH, RATCHET - BOLT-ON

2712/005

Edition 1 Sheet 1 / 1