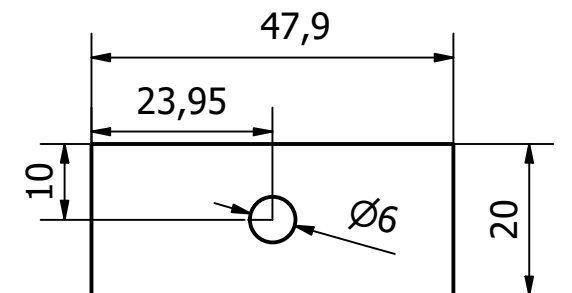
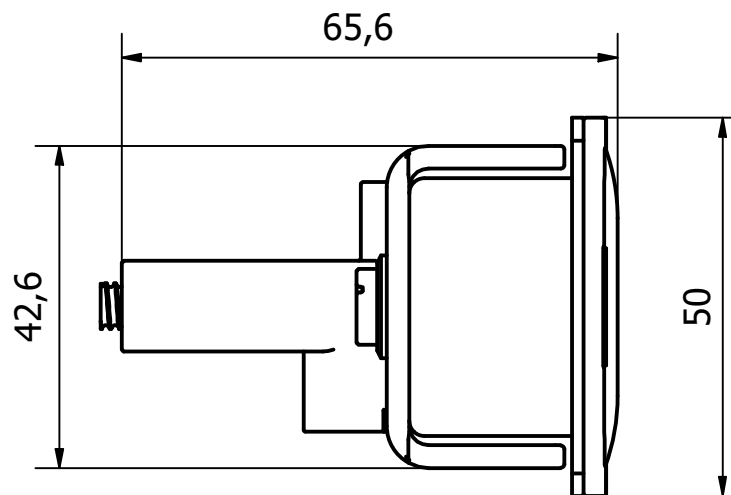
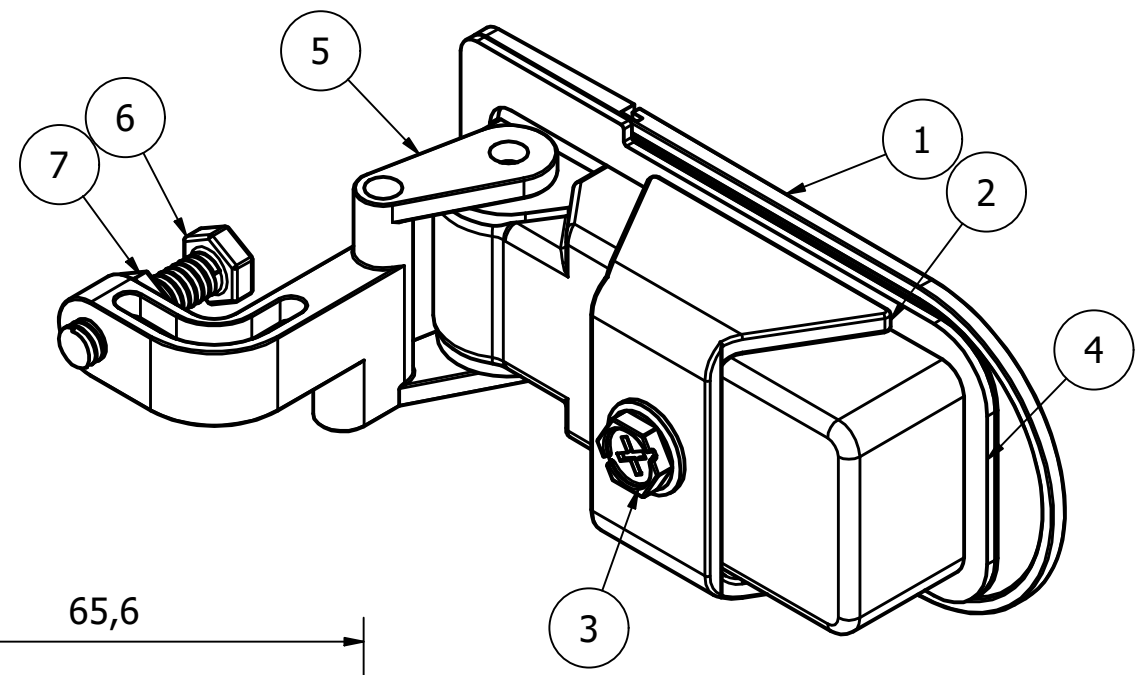


PARTS LIST			
ITEM	QTY	PART NUMBER	DESCRIPTION
1	1	3805-BL45-1	P/C BLACK ZINC DIECAST LOCK BODY ASSEMBLY
2	1	3805-BL45-2	M/STEEL LOCK CLAMP - Z/C PASSIVATE
3	1	3805-BL45-3	M/STEEL CLAMP SCREW - Z/C PASSIVATE
4	1	3805-BL45-4	BLACK RUBBER LOCK GASKET
5	1	3805-BL45-5	ZINC LOCK STRIKER - NATURAL
6	1	3805-BL45-6	S/STEEL M6 x 25mm BOLT - NATURAL
7	1	3805-BL45-7	S/STEEL M6 HEX NUT - NATURAL



ADDITIONAL CLAMPING PLATE

NOTE:
 LOCKABLE - SUPPLIED WITH MIXED KEYS - KEY No. 019
 AND AN
 ADDITIONAL CLAMPING PLATE. UTILISES A PUSH BUTTON
 RELEASE

GRIP RANGE - 29-45mm

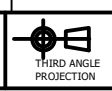
GENERAL TOLERANCES ON LENGTHS
0.5 - 6 ± 0.1mm
6 - 30 ± 0.2mm
30 - 120 ± 0.3mm
120 - 400 ± 0.5mm
400 - 1000 ± 0.8mm
1000 - 2000 ± 1.2mm
2000 - 4000 ± 2.0mm

ALBERT JAGGER LTD
 GREEN LANE
 WALSALL WEST MIDLANDS WS2 8HG
 PHONE: 01922 471000
 FAX: 01922 648021

THIS DRAWING & THE DESIGN SHOWN ARE THE PROPERTY OF ALBERT JAGGER LTD AND MUST NOT BE USED OR COPIED BY A THIRD PARTY WITHOUT PERMISSION

DRAWN BY
 U.F

CHECKED BY
 A.P



SCALE
 1 : 1

MATERIAL
 SEE TABLE

MASS
 0.604 kg

FINISH
 SEE TABLE

Date
 05/06/2017

ALL DIMS IN MM UNLESS STATED DO NOT SCALE

A3



LOCKABLE TRIGGER LATCH C/W GASKET AND MIXED KEYS
 3805-BL45M

Edition	2	Sheet	1 / 1
---------	---	-------	-------

A

A