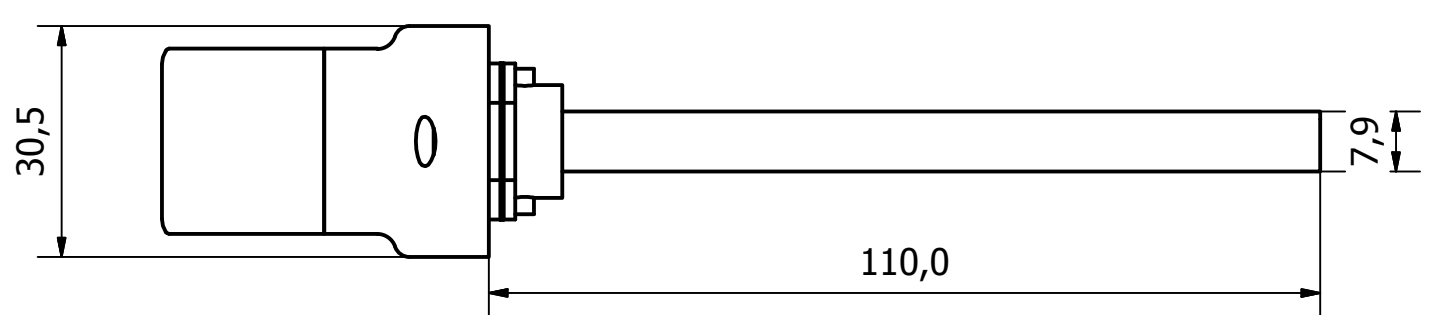
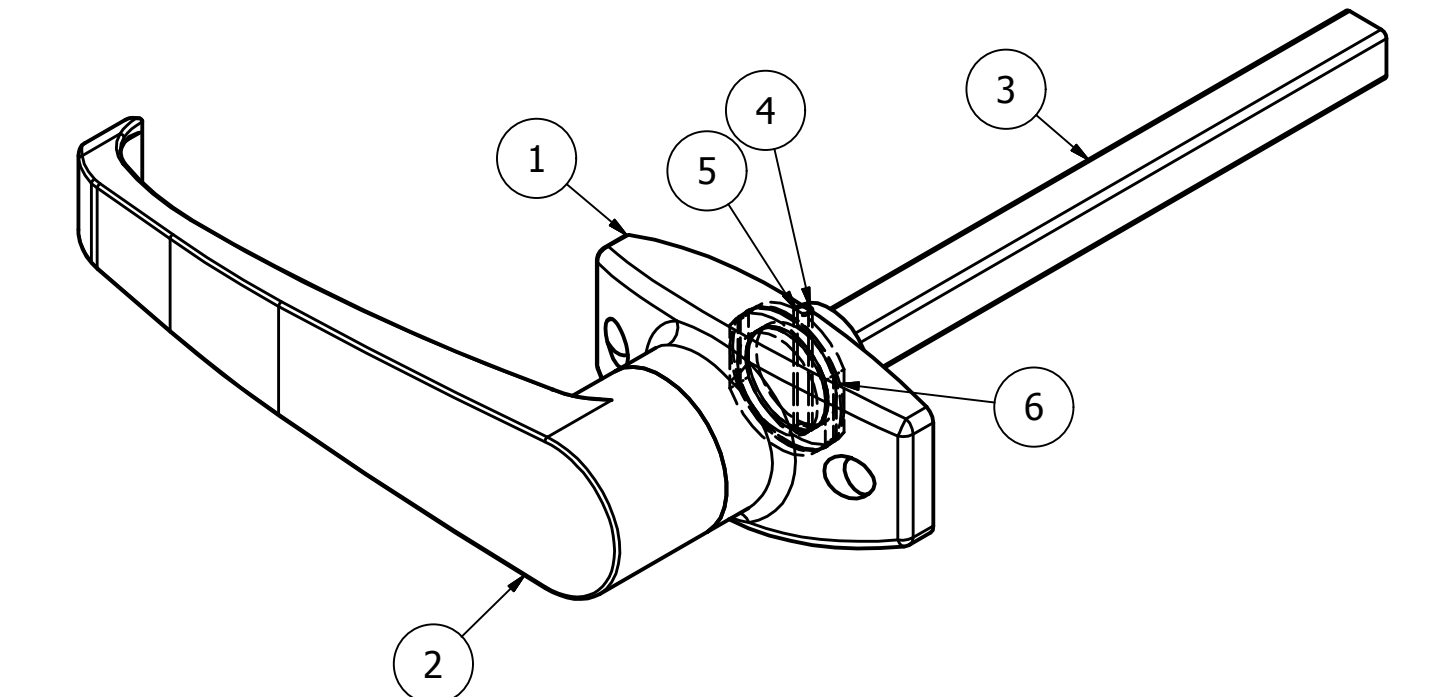


PARTS LIST			
ITEM	QTY	PART NUMBER	DESCRIPTION
1	1	4222-414-1	ZINC DIECAST HANDLE MOUNTING BODY - BLACK EPOXY P/C
2	1	4222-414-2	ZINC DIECAST LEVER - BLACK EPOXY P/C
3	1	4222-303-4	M/STEEL SQUARE LEVER CONNECTING BARREL - Z/C PASSIVATE
4	1	4222-303-5	S/STEEL RETAINING PIN - NATURAL
5	2	4222-303-6	M/STEEL 20.6mm DIA WASHER 17.9MM A/F - Z/C PASSIVATE
6	1	4222-303-7	M/STEEL 20.8mm DIA WAVEY WASHER - CHEMICALLY BLACKENED



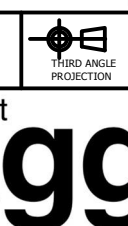
NOTE:  
360° ROTATION, NO STOPS AND NOT SPRING LOADED. MATCHING 'T' HANDLE - 5224

GENERAL TOLERANCES ON LENGTHS
0.5 - 6 ± 0.1mm
6 - 30 ± 0.2mm
30 - 120 ± 0.3mm
120 - 400 ± 0.5mm
400 - 1000 ± 0.8mm
1000 - 2000 ± 1.2mm
2000 - 4000 ± 2.0mm

ALBERT JAGGER LTD  
GREEN LANE  
WALSALL PHONE: 01922 471000  
WEST MIDLANDS FAX: 01922 648021  
WS2 8HG  
THIS DRAWING & THE DESIGN SHOWN ARE THE PROPERTY OF ALBERT JAGGER LTD AND MUST NOT BE USED OR COPIED BY A THIRD PARTY WITHOUT PERMISSION

DRAWN BY  
U.F

CHECKED BY  
A.P



SCALE  
1 : 1

MATERIAL  
SEE TABLE

MASS  
0.242 kg

FINISH  
SEE TABLE

Date  
03/11/2017

ALL DIMS IN MM UNLESS STATED DO NOT SCALE

A3



NON LOCKING BLACK LEVER HANDLE  
4222-414  
Edition 1  
Sheet 1 / 1

1	VALIDATION COMPLETE	06/11/17	A.P
REV	DESCRIPTION	DATE	APPROVED