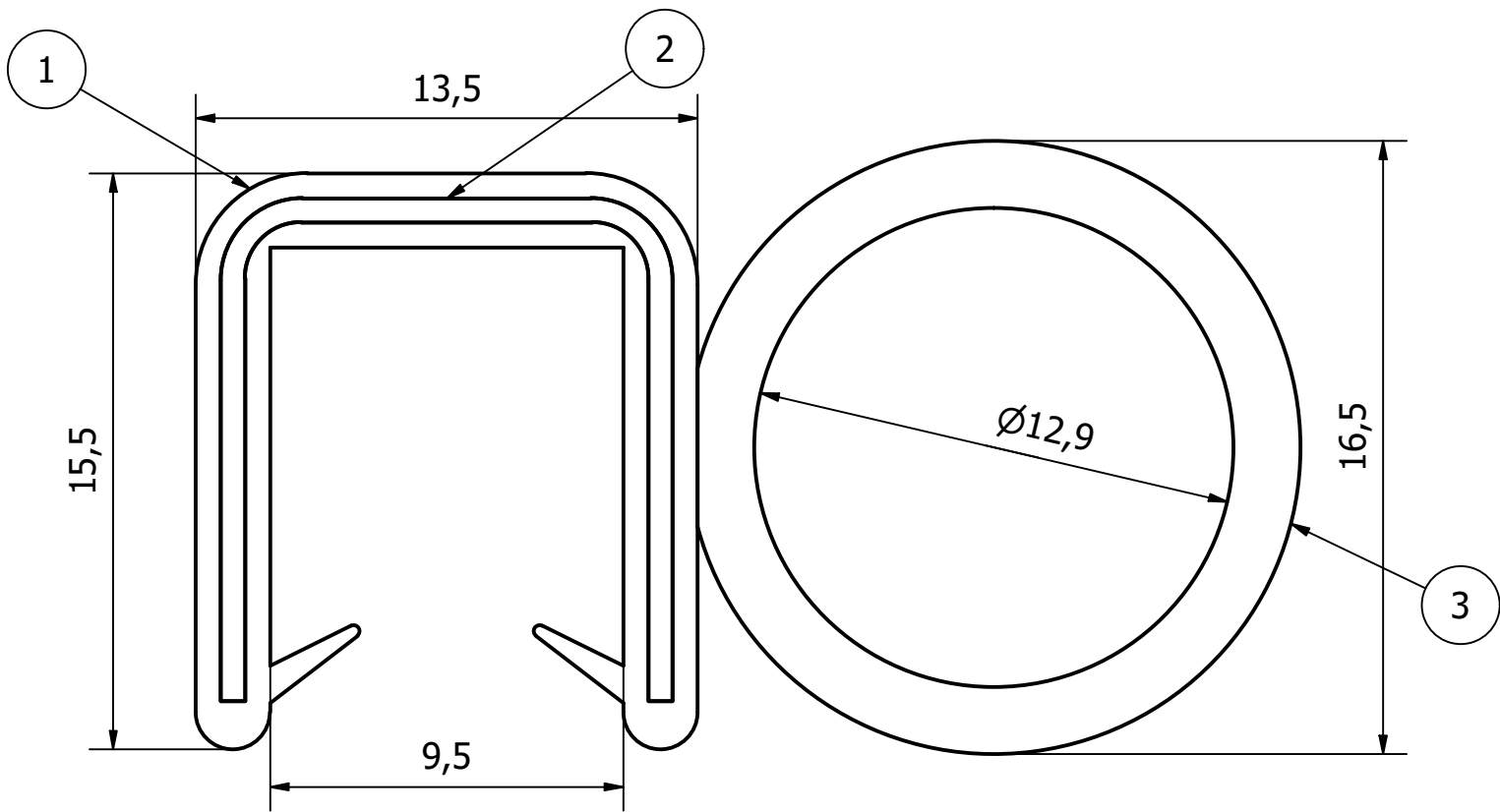


PARTS LIST			
ITEM	QTY	PART NUMBER	DESCRIPTION
1	1	5241-7614-1	PVC BLACK SEAL BODY
2	1	5241-7614-2	STEEL SPRING CORE CLIP
3	1	5241-7614-3	EPDM SEAL ATTACHMENT



NOTE:
EDGE TRIM IS FLEXIBLE PVC PLASTIC TRIM WITH INDIVIDUAL INTERNAL METAL CLIPS AND GRIPPING TONGUES TO PROVIDE A STRONGER GRIP.

GRIP RANGE = 9.5mm

76m COIL

1	VALIDATION COMPLETE	22/05/19	A.P
REV	DESCRIPTION	DATE	APPROVED

GENERAL TOLERANCES ON LENGTHS	
0.5 - 6 ± 0.1mm	
6 - 30 ± 0.2mm	
30 - 120 ± 0.3mm	
120 - 400 ± 0.5mm	
400 - 1000 ± 0.8mm	
1000 - 2000 ± 1.2mm	
2000 - 4000 ± 2.0mm	

ALBERT JAGGER LTD
GREEN LANE
WALSALL PHONE: 01922 471000
WEST MIDLANDS FAX: 01922 648021
WS2 8HG

THIS DRAWING & THE DESIGN SHOWN ARE THE PROPERTY OF ALBERT JAGGER LTD AND MUST NOT BE USED OR COPIED BY A THIRD PARTY WITHOUT PERMISSION

DRAWN BY
A.S

CHECKED BY
A.P

THIRD ANGLE PROJECTION

SCALE
5 : 1

MATERIAL
SEE DRAWING

MASS
0.037 kg

FINISH
SEE DRAWING

Date
15/11/2018

ALL DIMS IN MM UNLESS STATED DO NOT SCALE

A3



SIDE TUBE SEAL	
5241-7614	Edition 1 / Sheet 1 / 1