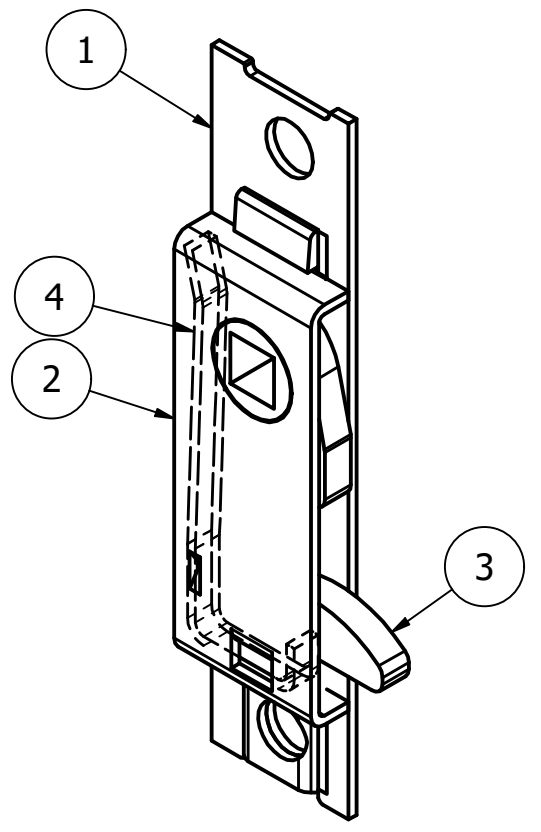
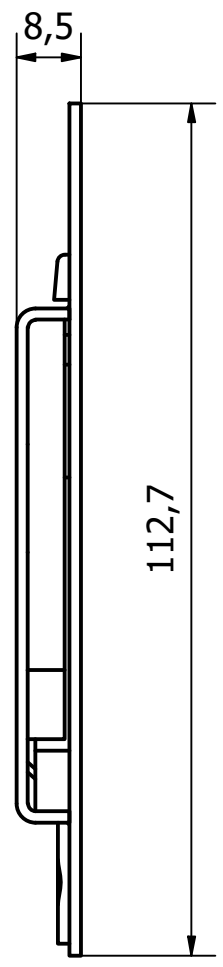
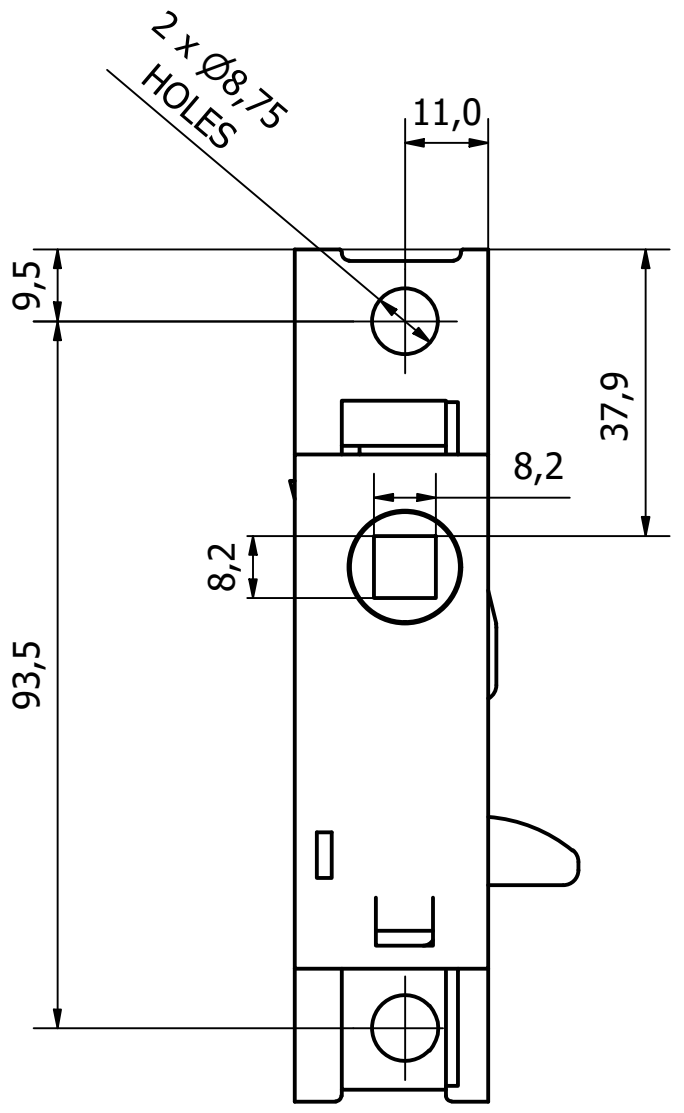
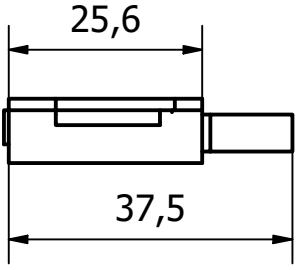


PARTS LIST			
ITEM	QTY	PART NUMBER	DESCRIPTION
1	1	5589-201-1	M/STEEL LOCK BOTTOM PLATE - RH
2	1	5589-201-2	M/STEEL LOCK TOP PLATE - RH
3	1	5589-201-3	PRESSED STEEL TONGUE - RH
4	1	5589-200-4	MILD STEEL CLIP - BLACK



PART No.	ORIENTATION
5589/200	LEFT HAND
5589/201	RIGHT HAND

GENERAL TOLERANCES ON LENGTHS
0.5 - 6 ± 0.1mm
6 - 30 ± 0.2mm
30 - 120 ± 0.3mm
120 - 400 ± 0.5mm
400 - 1000 ± 0.8mm
1000 - 2000 ± 1.2mm
2000 - 4000 ± 2.0mm

ALBERT JAGGER LTD  
 GREEN LANE  
 WALSALL PHONE: 01922 471000  
 WEST MIDLANDS FAX: 01922 648021  
 WS2 8HG

THIS DRAWING & THE DESIGN SHOWN ARE THE PROPERTY OF ALBERT JAGGER LTD AND MUST NOT BE USED OR COPIED BY A THIRD PARTY WITHOUT PERMISSION

DRAWN BY U.F	CHECKED BY A.P	THIRD ANGLE PROJECTION
-----------------	-------------------	------------------------

SCALE 1 : 1	MATERIAL -	MASS 0.079 kg	FINISH Z/C PASSIVATE	Date 11/05/2017	ALL DIMS IN MM UNLESS STATED DO NOT SCALE
----------------	---------------	------------------	-------------------------	--------------------	---

1	VALIDATION COMPLETE	27/07/17	A.P
REV	DESCRIPTION	DATE	APPROVED



M/STEEL BUDGET LOCK - RH	
5589-201	Sheet 1 / 1