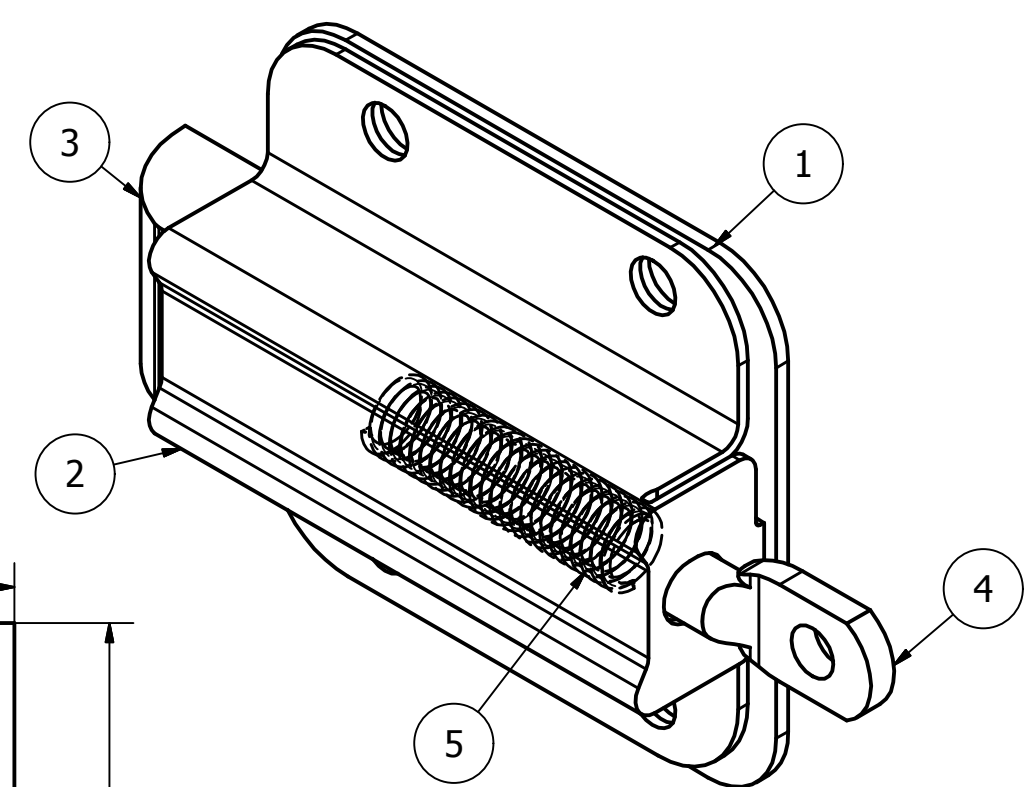


PARTS LIST			
ITEM	QTY	PART NUMBER	DESCRIPTION
1	1	5589-2231-1	M/STEEL SLAM BOTTOM PLATE
2	1	5589-2231-2	M/STEEL SLAM TOP PLATE
3	1	5589-2231-3	M/STEEL SLAM TONGUE
4	1	5589-2231-4	M/STEEL TENSIONING BOLT
5	1	5589-2231-5	M/STEEL COIL SPRING



1	VALIDATION COMPLETE	28/07/17	A.P
REV	DESCRIPTION	DATE	APPROVED
U.F	A.P	25/05/2017	A3
		M/STEEL END SLAM C/W REVERSIBLE BOLT	
5589-2231		Edition 1	Sheet 1 / 1

GENERAL TOLERANCES ON LENGTHS
0.5 - 6 ± 0.1mm
6 - 30 ± 0.2mm
30 - 120 ± 0.3mm
120 - 400 ± 0.5mm
400 - 1000 ± 0.8mm
1000 - 2000 ± 1.2mm
2000 - 4000 ± 2.0mm

ALBERT JAGGER LTD
 GREEN LANE
 WALSALL PHONE: 01922 471000
 WEST MIDLANDS FAX: 01922 648021
 WS2 8HG

THIS DRAWING & THE DESIGN SHOWN ARE THE PROPERTY OF ALBERT JAGGER LTD AND MUST NOT BE USED OR COPIED BY A THIRD PARTY WITHOUT PERMISSION

DRAWN BY U.F
 CHECKED BY A.P

SCALE 1.5:1
 MATERIAL -
 MASS 0.179 kg
 FINISH Z/C PASSIVATE

Date 25/05/2017

ALL DIMS IN MM UNLESS STATED DO NOT SCALE