

A IF IN DOUBT ASK

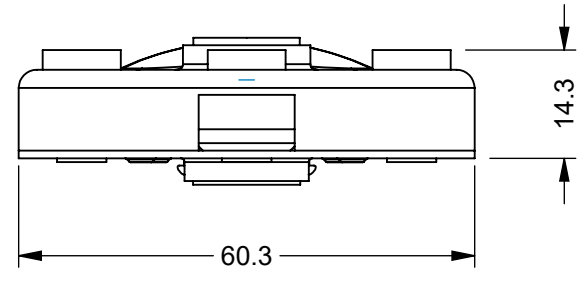
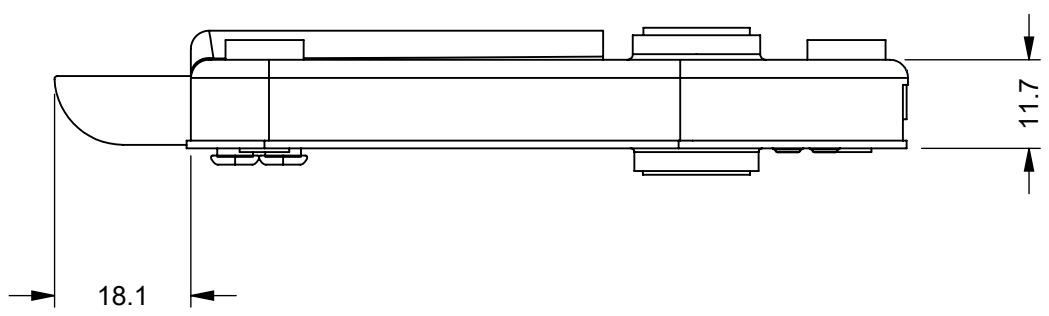
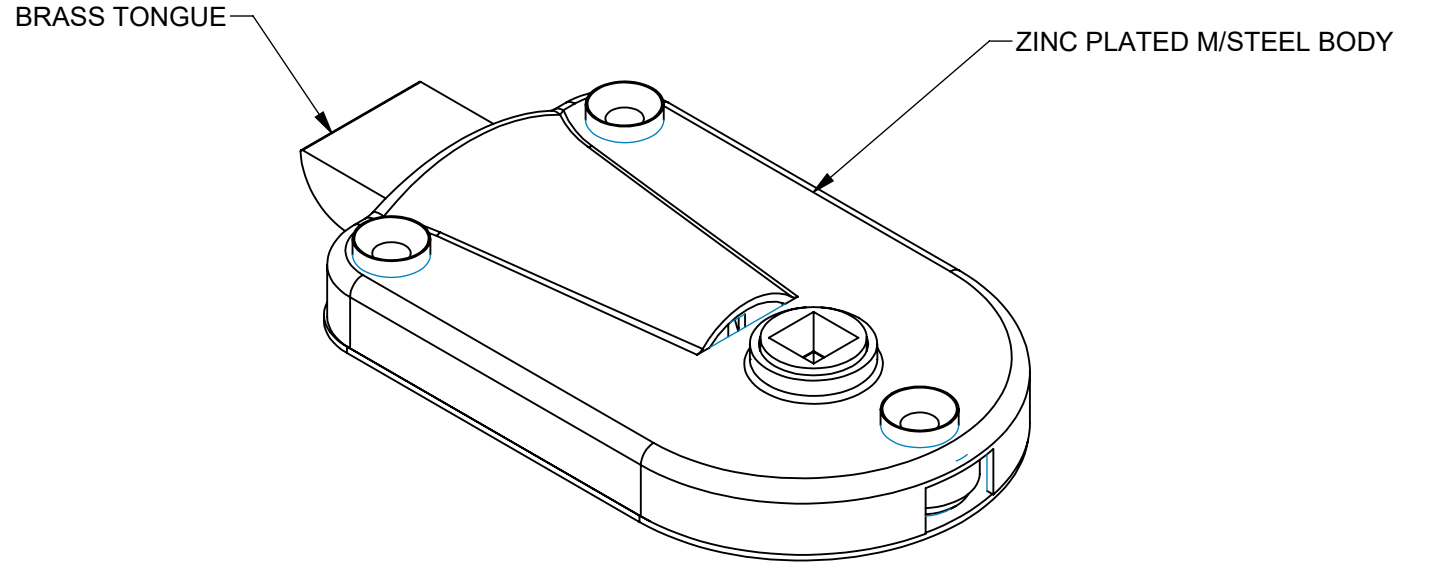
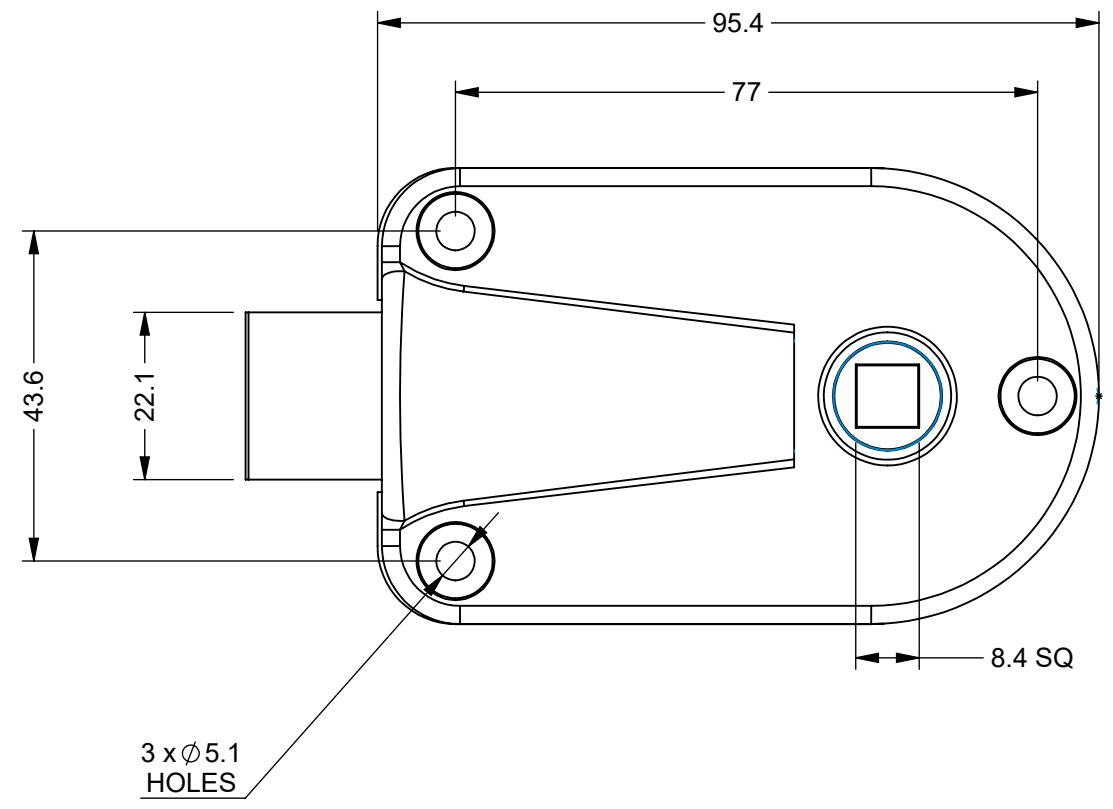
B

C

D

E

F



	2	RE-DRAWN IN SOLIDWORKS	18/07/2023	U.F
ZONE	REV.	DESCRIPTION	DATE	APPROVED

REVISIONS

UNLESS OTHERWISE STATED, ALL DIMENSIONS IN mm

TOLERANCES		SURFACE FINISH 1.6µm Ra	
0.5 - 6	= ±0.1mm	FILLET RADII	0.5 TO 1.0
6 - 30	= ±0.2 mm	SQUARENESS	0.05 IN 25
30 - 120	= ±0.3 mm	PARALLELISM	0.05 IN 25
120 - 400	= ±0.5 mm	RUNOUT	0.1
400 - 1000	= ±0.8 mm	ANGLES	±0.5°
1000 - 2000	= ±1.2 mm		
2000 - 4000	= ±2.0 mm		

MATERIAL: SEE DRAWING	DRAWN BY: UF	DESCRIPTION: R.H SLAM LATCH - NO SAFETY CATCH			<b>A3</b>
MASS:	CHECKED BY: A.P	NUMBER: 5589-226	REVISION: 2	SHEET: 1 of 1	
FINISH: SEE DRAWING	APPROVED BY: A.P	ORIGINATION DATE: 18/07/2023	SCALE : PROPORTIONAL - DO NOT SCALE REF SCALE 1:1 WHEN PRINTED ON A3		

PROPRIETARY RIGHTS ARE INCLUDED IN THE INFORMATION DISCLOSED HEREIN. NEITHER THIS DOCUMENT NOR ANY INFORMATION DISCLOSED SHALL BE REPRODUCED, USED, TRANSFERRED TO OTHER DOCUMENTS, OR DISCLOSED TO OTHERS FOR ANY PURPOSE INCLUDING MANUFACTURING UNLESS SPECIFICALLY AUTHORISED IN WRITING  
REMOVE ALL SHARP EDGES AND BURRS  
PART FINISHING AND MARKING TO CESF001

