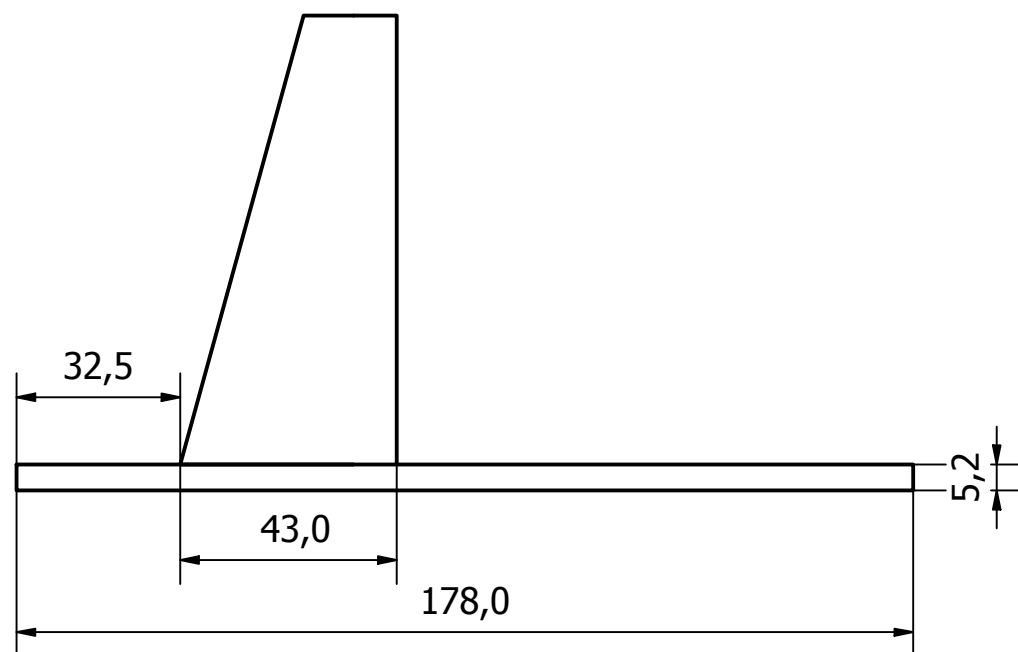
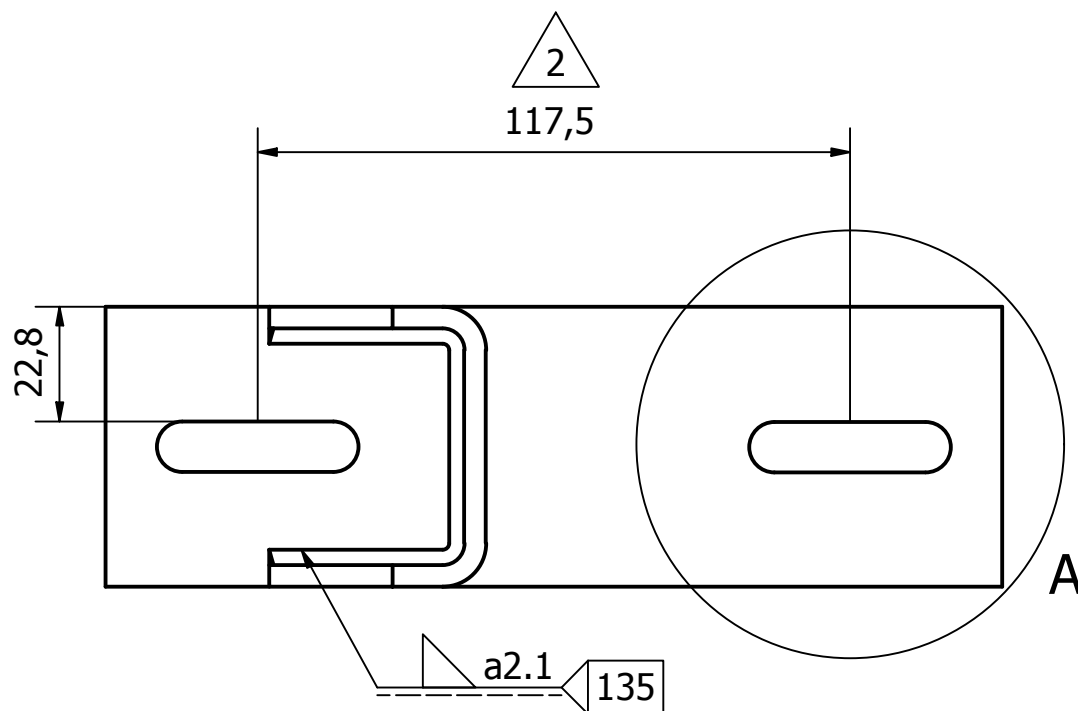
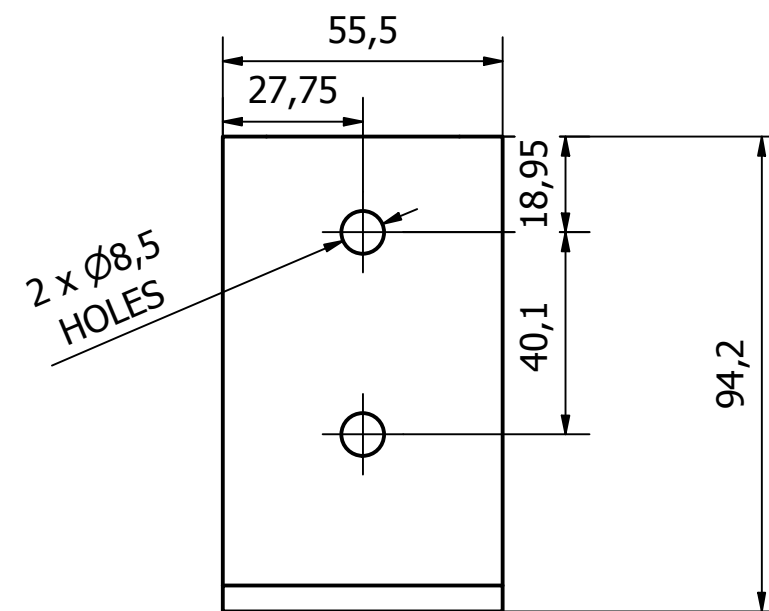
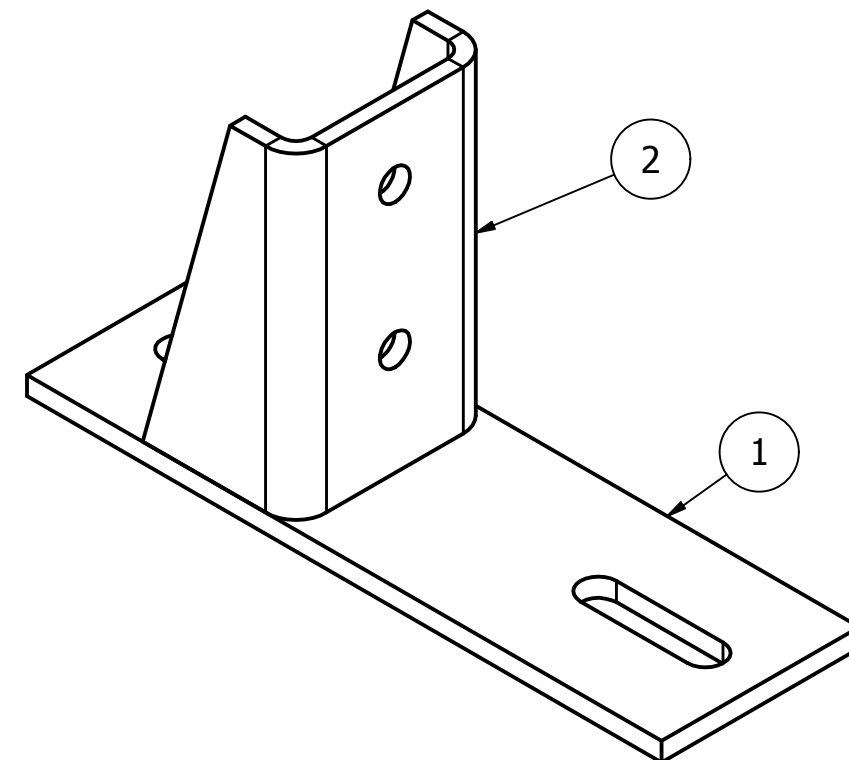


DETAIL A
(1:2)
TYP 2 PLACES



PARTS LIST			
ITEM	QTY	PART NUMBER	DESCRIPTION
1	1	6033-024-1	M/STEEL MOUNTING BRACKET
2	1	6033-024-2	M/STEEL BRACKET BODY



NOTE:

A PREVIOUSLY USED ON PRE-OCT 91' CHASSIS ON FORD CARGO. ALSO USED ON MERCEDES 307, 308 & 207 SERIES AND THE VW, LT RANGE

GENERAL TOLERANCES ON LENGTHS	
0.5 - 6	± 0.1mm
6 - 30	± 0.2mm
30 - 120	± 0.3mm
120 - 400	± 0.5mm
400 - 1000	± 0.8mm
1000 - 1200	± 1.2mm
2000 - 4000	± 2.0mm

ALBERT JAGGER LTD
GREEN LANE
WALSALL PHONE: 01922 471000
WEST MIDLANDS FAX: 01922 648021
WS2 8HG

THIS DRAWING & THE DESIGN SHOWN ARE THE PROPERTY OF ALBERT JAGGER LTD AND MUST NOT BE USED OR COPIED BY A THIRD PARTY WITHOUT PERMISSION

DRAWN BY
U.F

CHECKED BY
A.P



SCALE
1:1.5

MATERIAL
-

MASS
0.679 kg

FINISH
P/C
BLACK

Date
02/02/2017

ALL DIMS IN MM
UNLESS STATED
DO NOT SCALE

A3



PEDESTAL MOUNTING BRACKET - FOR 4" RUNNERS

6033-024

Edition
2

Sheet
1 / 1

REV	DESCRIPTION	DATE	APPROVED
2	DIMENSION ADDED	30/01/19	U.F
1	VALIDATION COMPLETE	02/02/17	A.P