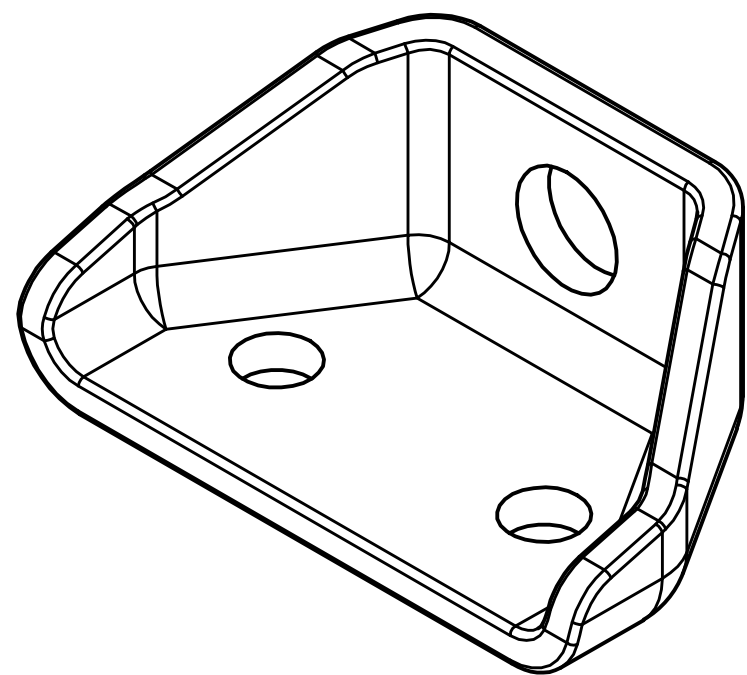
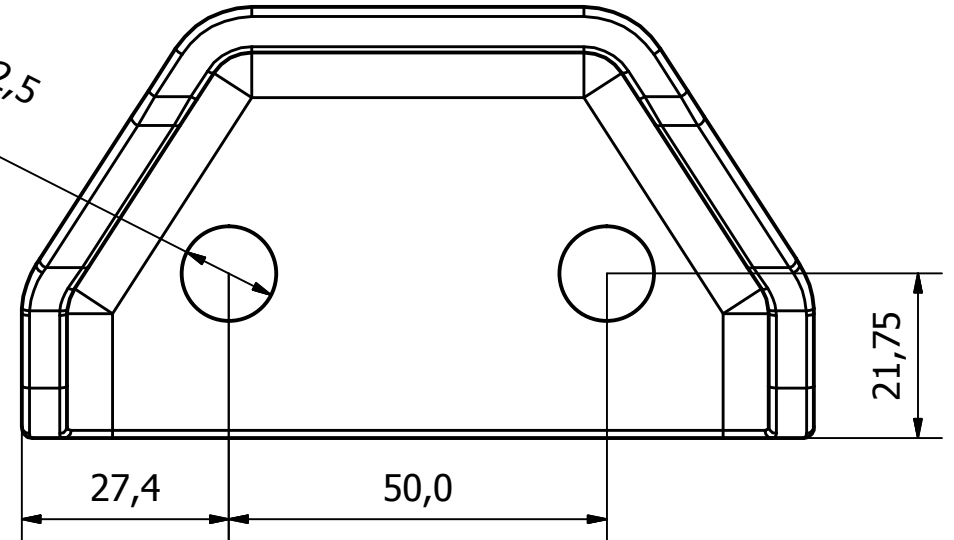
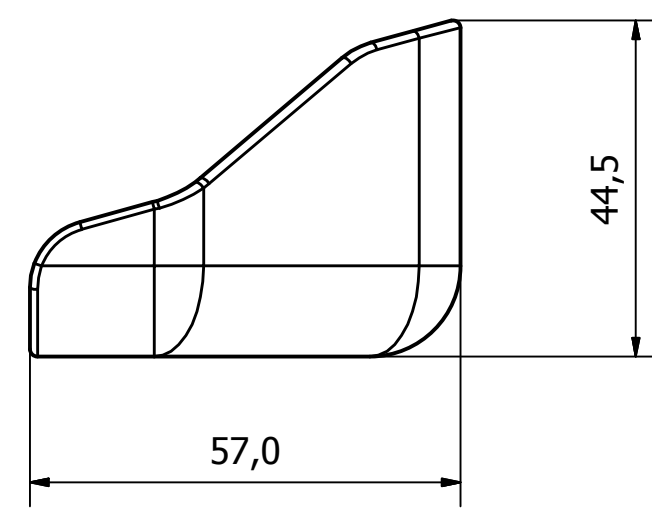
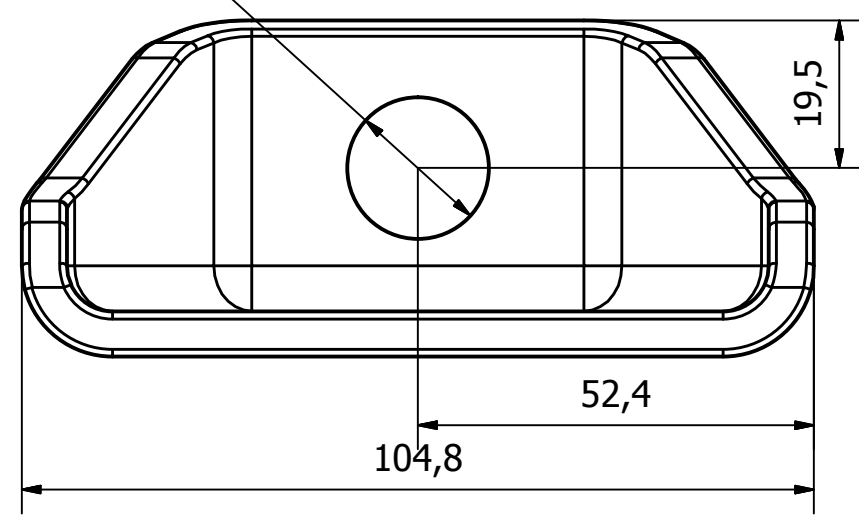


2 x Ø12,5 HOLES



Ø18,7



1	VALIDATION COMPLETE	04/12/17	A.P
REV	DESCRIPTION	DATE	APPROVED

GENERAL TOLERANCES ON LENGTHS

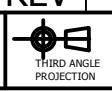
0.5 - 6 ± 0.1mm
6 - 30 ± 0.2mm
30 - 120 ± 0.3mm
120 - 400 ± 0.5mm
400 - 1000 ± 0.8mm
1000 - 2000 ± 1.2mm
2000 - 4000 ± 2.0mm

ALBERT JAGGER LTD  
 GREEN LANE  
 WALSALL PHONE: 01922 471000  
 WEST MIDLANDS FAX: 01922 648021  
 WS2 8HG

THIS DRAWING & THE DESIGN SHOWN ARE THE PROPERTY OF ALBERT JAGGER LTD AND MUST NOT BE USED OR COPIED BY A THIRD PARTY WITHOUT PERMISSION

DRAWN BY  
U.F

CHECKED BY  
A.P



SCALE  
1 : 1

MATERIAL  
Steel, Mild

MASS  
0.407 kg

FINISH  
P/C  
BLACK

Date  
28/11/2017

ALL DIMS IN MM  
UNLESS STATED  
DO NOT SCALE

A3



ATEGO CHASSIS BRACKET 12.5 DIA HOLES

6033-151

Edition  
1

Sheet  
1 / 1