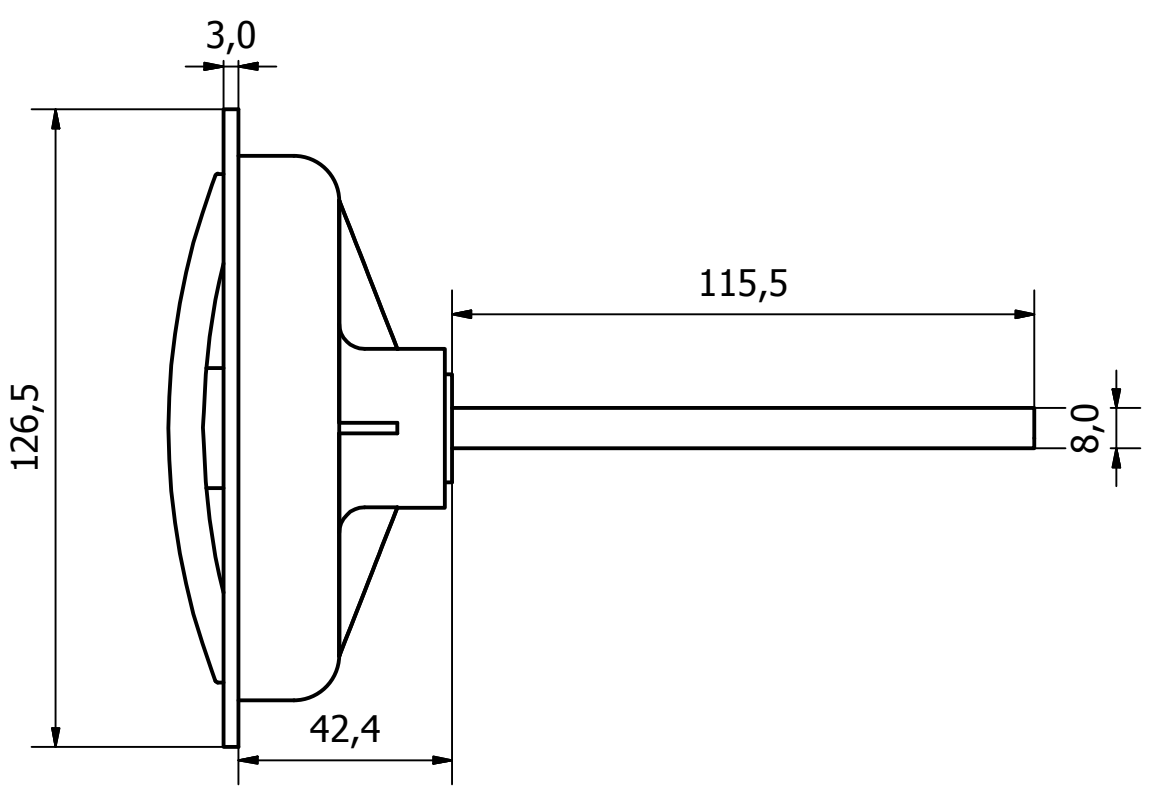
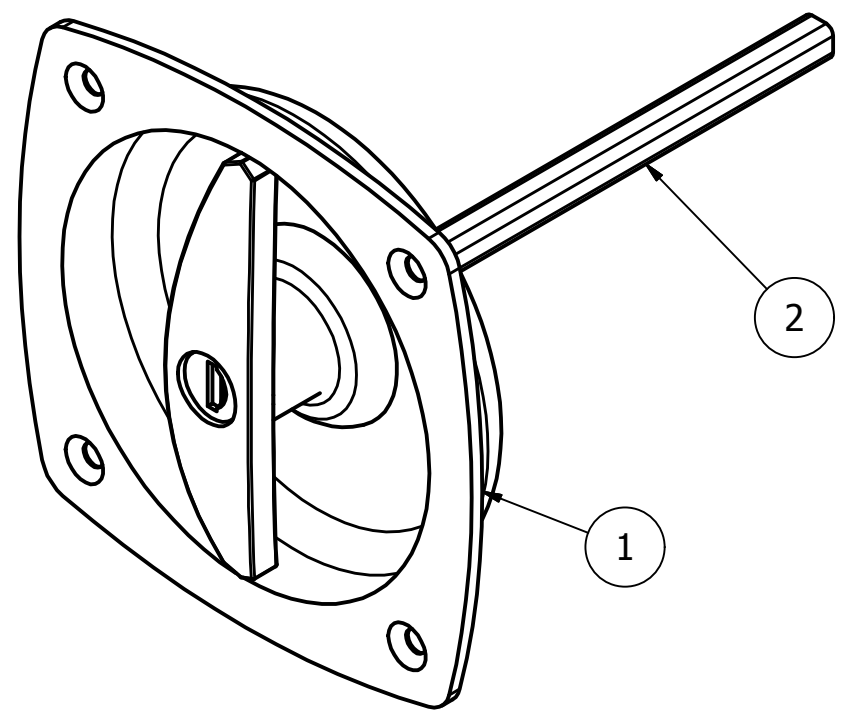
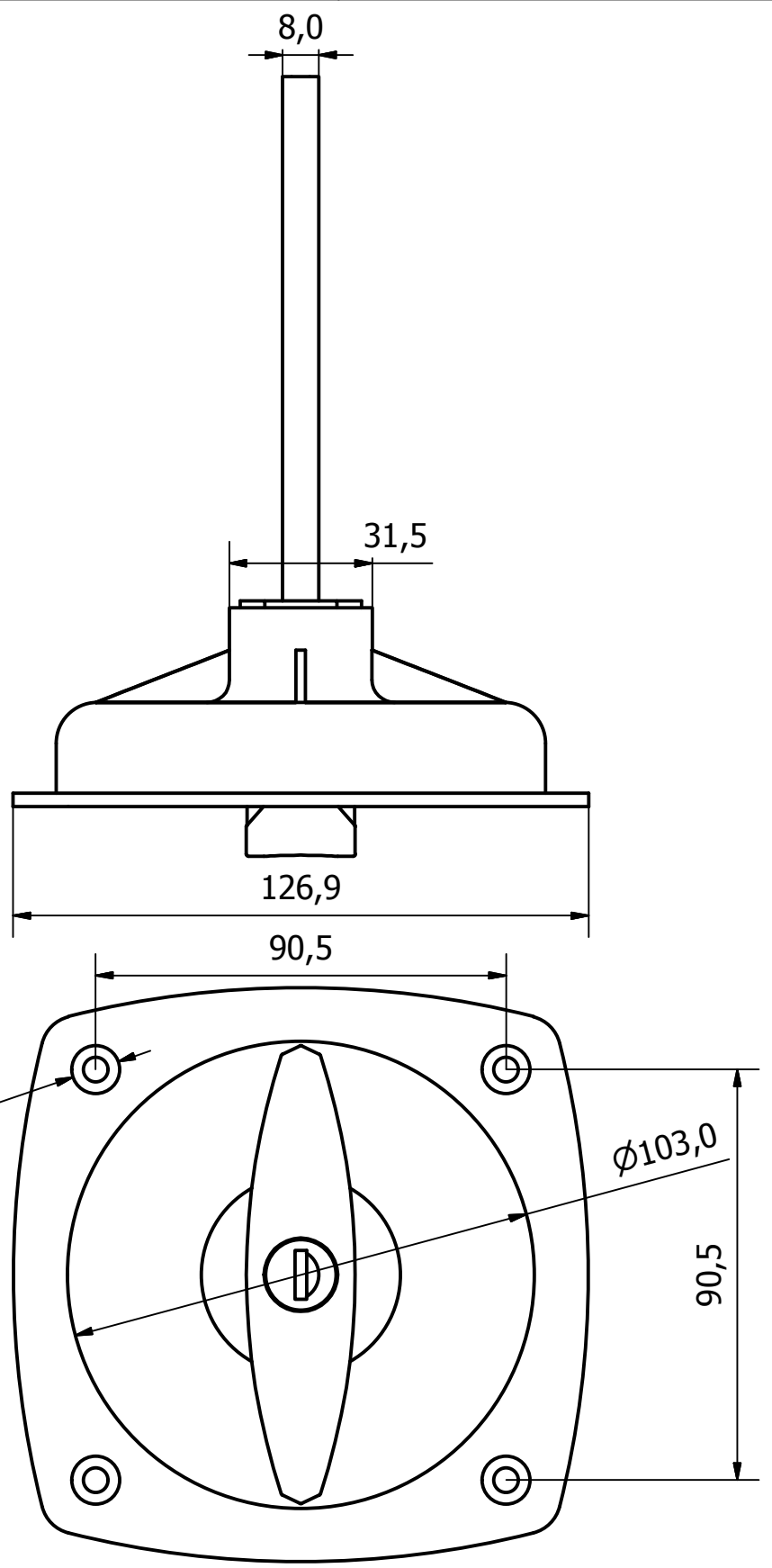


PARTS LIST			
ITEM	QTY	PART NUMBER	DESCRIPTION
1	1	6212-0021-1	BLACK GLASS FILLED NYLON DISH
2	1	6212-0021-2	M/STEEL TEE HANDLE - P/C BLACK



4 x Ø10,5 HOLES ✓ 5.5 @ 90°
ON A 128 P.C.D

PART No.	DESCRIPTION
6212/0011	RECESSED 'T' HANDLE - MIXED KEYS
6212/0021	RECESSED 'T' HANDLE - KEYED ALIKE

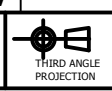
GENERAL TOLERANCES ON LENGTHS
0.5 - 6 ± 0.1mm
6 - 30 ± 0.2mm
30 - 120 ± 0.3mm
120 - 400 ± 0.5mm
400 - 1000 ± 0.8mm
1000 - 2000 ± 1.2mm
2000 - 4000 ± 2.0mm

ALBERT JAGGER LTD
GREEN LANE
WALSALL PHONE: 01922 471000
WEST MIDLANDS FAX: 01922 648021
WS2 8HG

THIS DRAWING & THE DESIGN SHOWN ARE THE PROPERTY OF ALBERT JAGGER LTD AND MUST NOT BE USED OR COPIED BY A THIRD PARTY WITHOUT PERMISSION

DRAWN BY
U.F

CHECKED BY
A.P



SCALE
1:1.5

MATERIAL
-

MASS
0.259 kg

FINISH
BLACK

Date
22/06/2017

ALL DIMS IN MM UNLESS STATED DO NOT SCALE

A3



1	VALIDATION COMPLETE	28/07/17	A.P
REV	DESCRIPTION	DATE	APPROVED
	RECESSED 'T' HANDLE - KEYED ALIKE		
	6212-0021	Edition 1	Sheet 1 / 1