

IF IN DOUBT ASK

IF IN DOUBT ASK

8 7 6 5 4 3 2 1

A

B

C

D

E

F

NOTE:

GRIP RANGE 1.5 TO 3MM

UNLESS OTHERWISE STATED, ALL DIMENSIONS IN mm

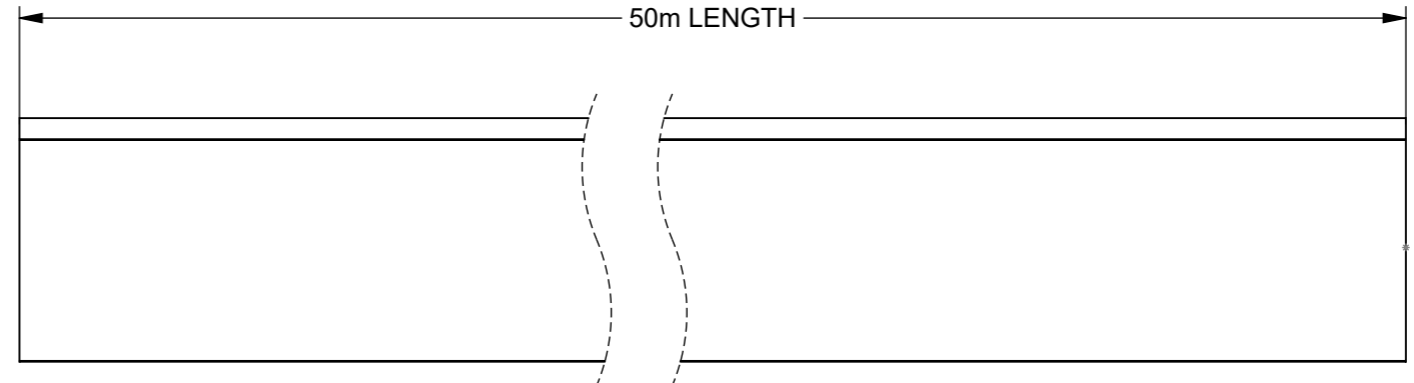
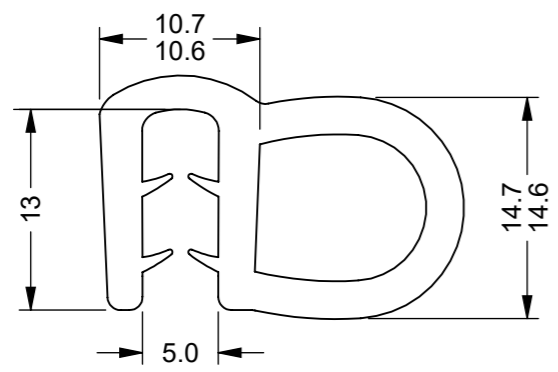
TOLERANCES
0.5 - 6 = ±0.1mm SURFACE FINISH 1.6µm Ra
6 - 30 = ±0.2 mm FILLET RADII 0.5 TO 1.0
30 - 120 = ±0.3 mm SQUARENESS 0.05 IN 25
120 - 400 = ±0.5 mm PARALLELISM 0.05 IN 25
400 - 1000 = ±0.8 mm RUNOUT 0.1
1000 - 2000 = ±1.2 mm ANGLES ±0.5°
2000 - 4000 = ±2.0 mm

PROPRIETARY RIGHTS ARE INCLUDED IN THE INFORMATION DISCLOSED HEREIN. NEITHER THIS DOCUMENT NOR ANY INFORMATION DISCLOSED SHALL BE REPRODUCED, USED, TRANSFERRED TO OTHER DOCUMENTS, OR DISCLOSED TO OTHERS FOR ANY PURPOSE INCLUDING MANUFACTURING UNLESS SPECIFICALLY AUTHORISED IN WRITING
REMOVE ALL SHARP EDGES AND BURRS
PART FINISHING AND MARKING TO CESF001

MATERIAL: PVC/EPDM
MASS: N/A
FINISH: BLACK

DRAWN BY: SR
CHECKED BY: AP
APPROVED BY: AP
ORIGINATION DATE: 23/02/2024

DESCRIPTION: SIDE TUBE SEAL
NUMBER: 6315-001
REVISION: 1
SHEET: 1 of 1
SCALE : PROPORTIONAL - DO NOT SCALE
REF SCALE 1:1 WHEN PRINTED ON A3
PROJECTION 3rd ANGLE



	1	VALIDATION COMPLETE	23/02/2024	AP
ZONE	REV.	DESCRIPTION	DATE	APPROVED

REVISIONS

	DESCRIPTION: SIDE TUBE SEAL		A3	
	APPROVED BY: AP	NUMBER: 6315-001		REVISION: 1
	ORIGINATION DATE: 23/02/2024	SCALE : PROPORTIONAL - DO NOT SCALE REF SCALE 1:1 WHEN PRINTED ON A3		SHEET: 1 of 1

8 7 6 5 4 3 2 1

F