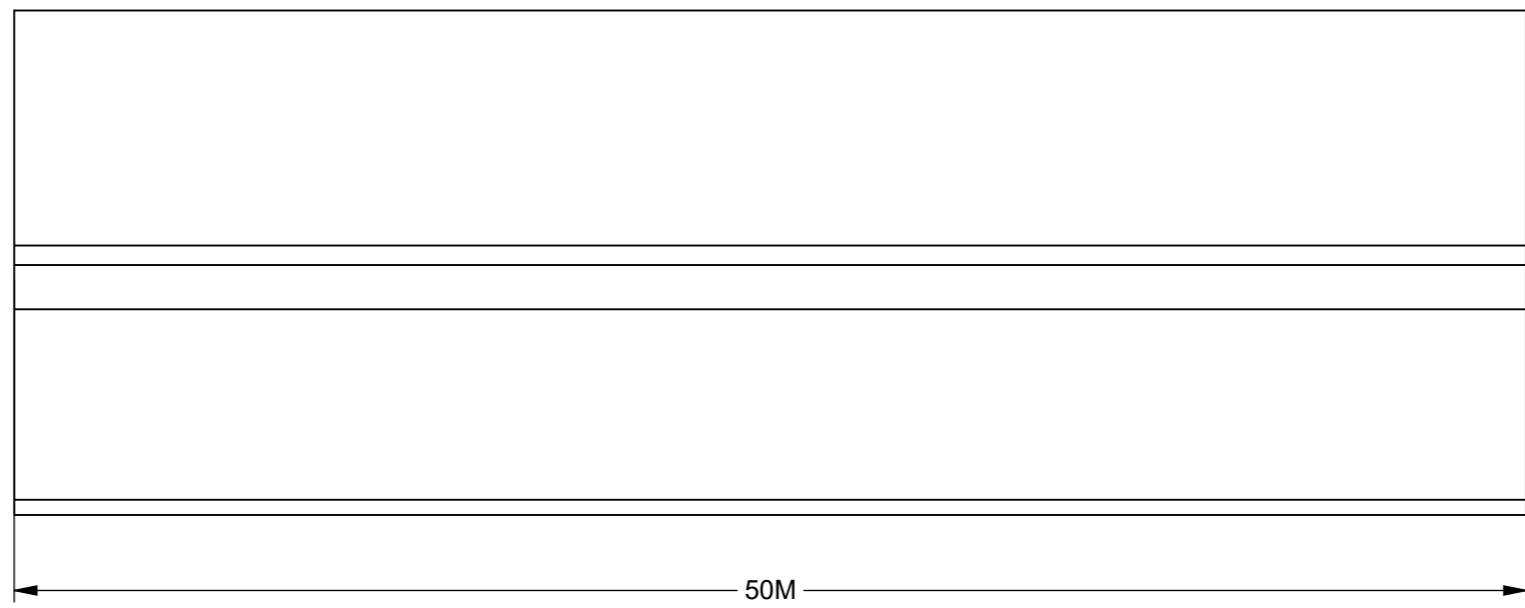
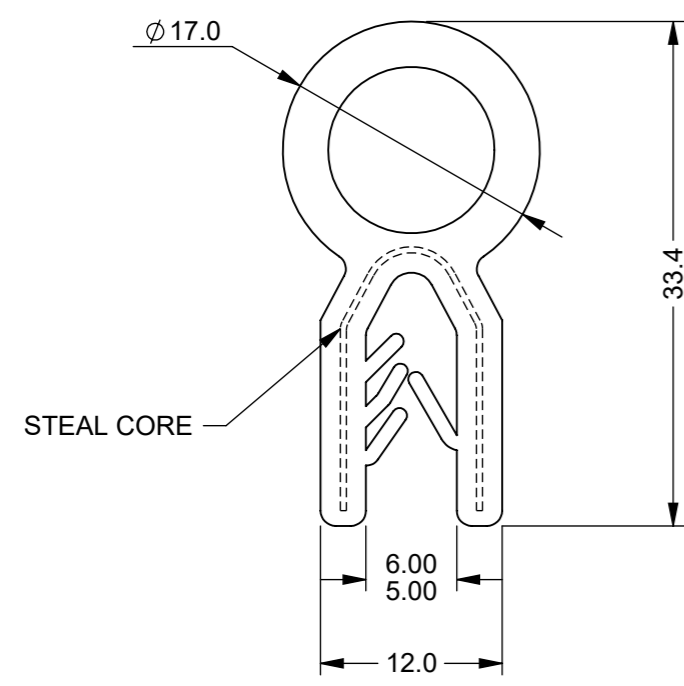
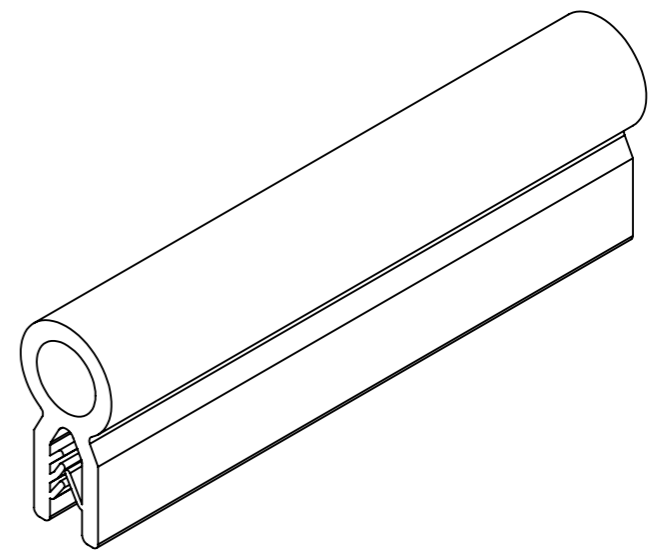


A
B
C
D
E
F

A
B
C
D
E
F



NOTE:
GRIP RANGE: 5.0 - 6.0mm
MATERIAL:
BLACK EPDM 60 B5 SHORE INCLUDING LOOPED WIRE CARRIER & HOLLOW SPONGE SEALING SECTION

ZONE	REV.	DESCRIPTION	DATE	APPROVED
	1	VALIDATION COMPLETE	26/03/2024	AP

REVISIONS

UNLESS OTHERWISE STATED, ALL DIMENSIONS IN mm

TOLERANCES	SURFACE FINISH	FILLET RADII
0.5 - 6 = ±0.1mm	1.6µm Ra	0.5 TO 1.0
6 - 30 = ±0.2 mm		
30 - 120 = ±0.3 mm	SQUARENESS	0.05 IN 25
120 - 400 = ±0.5 mm	PARALLELISM	0.05 IN 25
400 - 1000 = ±0.8 mm	RUNOUT	0.1
1000 - 2000 = ±1.2 mm	ANGLES	±0.5°
2000 - 4000 = ±2.0 mm		

MATERIAL: SEE NOTE	DRAWN BY: SR	DESCRIPTION: 50m COIL BULB SEAL RUBBER			A3
MASS: N/A	CHECKED BY: AP	NUMBER: 6323-0021	REVISION: 1	SHEET: 1 of 1	
FINISH: SEE NOTE	APPROVED BY: AP	ORIGINATION DATE: 26/03/2024	SCALE : PROPORTIONAL - DO NOT SCALE REF SCALE 1:1 WHEN PRINTED ON A3		

PROPRIETARY RIGHTS ARE INCLUDED IN THE INFORMATION DISCLOSED HEREIN. NEITHER THIS DOCUMENT NOR ANY INFORMATION DISCLOSED SHALL BE REPRODUCED, USED, TRANSFERRED TO OTHER DOCUMENTS, OR DISCLOSED TO OTHERS FOR ANY PURPOSE INCLUDING MANUFACTURING UNLESS SPECIFICALLY AUTHORISED IN WRITING
REMOVE ALL SHARP EDGES AND BURRS
PART FINISHING AND MARKING TO CESF001

