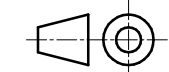
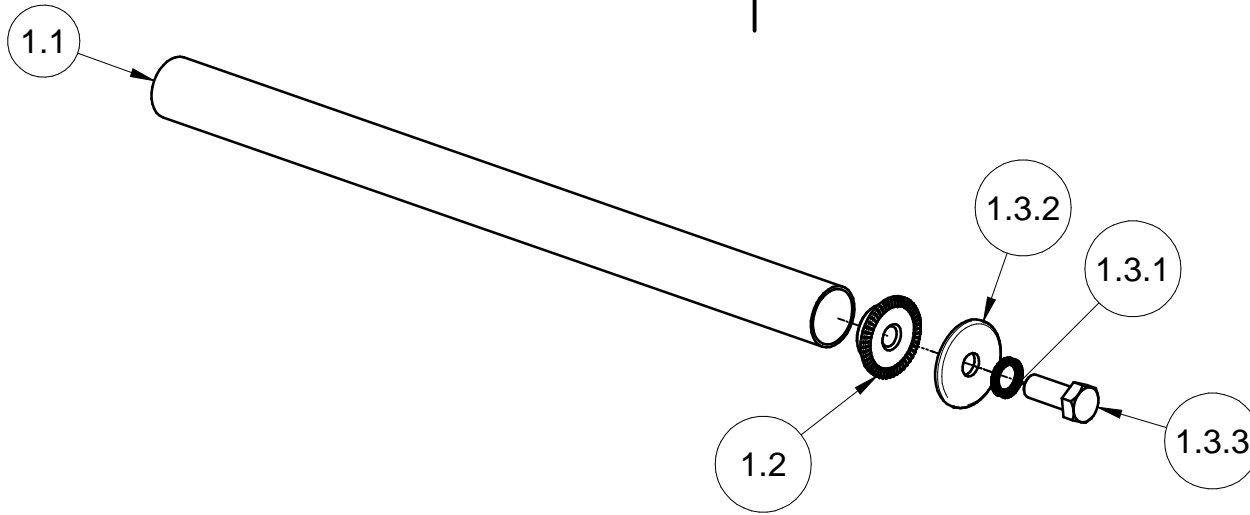


ACCURACY LINEAR DIMENSIONS					REVIEW	N°2	DATE	DESCRIPTION	DRAFTSMAN
to 6	$\pm 0.1$	from 6 to 30	$\pm 0.2$	from 30 to 120		$\pm 0.3$	from 120 to 315	$\pm 0.5$	.
from 315 to 1000	$\pm 0.8$	from 1000 to 2000	$\pm 1.2$	from 2000 to 4000	$\pm 2.0$	from 4000	$\pm 3.0$	.	DRAFTSMAN
					MATERIAL		TREATMENT	DRAFTSMAN	
					S235JO		Galvanized	Manuel Pillan	
					CREATION DATE		SET		
					19/12/2016		DRAWING CODE		
							161110110.asm		
					SHEET		DESCRIPTION		
					1/2		TUBO DRITTO ZN $\varnothing 42 \times 2$ FL.TONDA L605		
							CODE AND DESCRIPTION OF FINISHED PRODUCT		


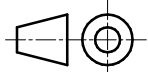
**LAGO**  
**Lago Accessori srl**  
 via 1°Maggio 20, 35014 Fontaniva (Pd) Italy  
 Tel: +39 049 5940932 Fax: +39 049 5940599  
 www.lagoaccessori.net info@lagoaccessori.net

SCALE  
**1 : 5**  
 SHEET  
 1/2





POS.	CODE	DESCRIPTION	Q.ty
	161110110	TUBO DRITTO ZN Ø42X2 FL.TONDA L605	
1	161010110	TUBO DRITTO FE 42X2 FL/TONDA L605	1
1.1	161010035	TUBO DRTO FE D42X2 L600	1
1.2	051005002	FLANGIA AVZ M16 D.55X16 X TUBO D.INT.38	1
1.3	071106001	KIT VITERIA X 2 TUBI C/FLANGIA TONDA	1
1.3.1	081103006	RONDELLA DENTELLATA DIN6798A M16 ZN	1
1.3.2	081103007	RONDELLA PIANA UNI 6593 D16X56XM14 ZN	1
1.3.3	081101008	VTE M16x40	1

ACCURACY LINEAR DIMENSIONS					REVIEW	N°2	DATE	DESCRIPTION	DRAFTSMAN
to 6	±0.1	from 6 to 30	±0.2	from 30 to 120			±0.3	from 120 to 315	±0.5
from 315 to 1000	±0.8	from 1000 to 2000	±1.2	from 2000 to 4000	±2.0	from 4000	±3.0	.	.
					MATERIAL		TREATMENT	DRAFTSMAN	
					S235JO		Galvanized	Manuel Pillan	
					CREATION DATE		SET		
					19/12/2016				
 <b>Lago Accessori srl</b> via 1°Maggio 20, 35014 Fontaniva (Pd) Italy Tel: +39 049 5940932 Fax: +39 049 5940599 www.lagoaccessori.net info@lagoaccessori.net					SCALE		DRAWING CODE		
					1 : 5		161110110.asm		
					SHEET		DESCRIPTION		
					2/2		TUBO DRITTO ZN Ø42X2 FL.TONDA L605		
							<b>CODE AND DESCRIPTION OF FINISHED PRODUCT</b>		

LAGO ACCESSORI COPYRIGHT. ANY RIPRODUCTION WITHOUT WRITTEN PERMISSION OF LAGO ACCESSORI IS FORBIDDEN