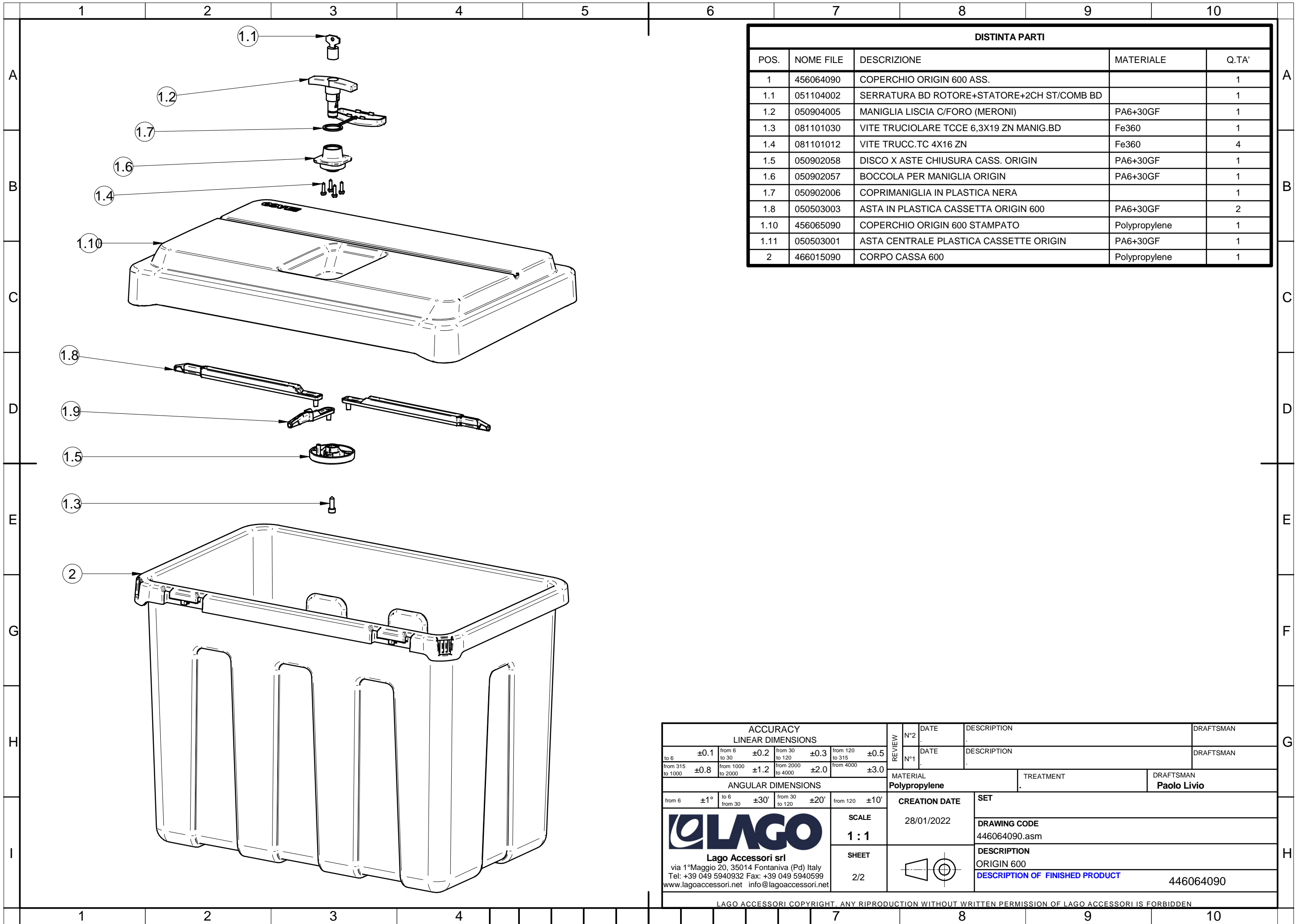


ACCURACY				REVIEW	N°2	DATE	DESCRIPTION	DRAFTSMAN
LINEAR DIMENSIONS								
to 6	±0.1	from 6 to 30	±0.2	from 30 to 120	±0.3	from 120 to 315	±0.5	
from 315 to 1000	±0.8	from 1000 to 2000	±1.2	from 2000 to 4000	±2.0	from 4000	±3.0	
ANGULAR DIMENSIONS				MATERIAL		TREATMENT	DRAFTSMAN	
from 6	±1°	to 6	±30'	from 30 to 120	±20'	from 120	±10'	<b>Polypropylene</b>
				CREATION DATE		SET		
				28/01/2022		DRAWING CODE		
				1:1		446064090.asm		
				SHEET		DESCRIPTION		
				1/2		ORIGIN 600		
						DESCRIPTION OF FINISHED PRODUCT		
						446064090		



DISTINTA PARTI				
POS.	NOME FILE	DESCRIZIONE	MATERIALE	Q.TA'
1	456064090	COPERCHIO ORIGIN 600 ASS.		1
1.1	051104002	SERRATURA BD ROTORE+STATORE+2CH ST/COMB BD		1
1.2	050904005	MANIGLIA LISCIA C/FORO (MERONI)	PA6+30GF	1
1.3	081101030	VITE TRUCIOLARE TCCE 6,3X19 ZN MANIG.BD	Fe360	1
1.4	081101012	VITE TRUCC.TC 4X16 ZN	Fe360	4
1.5	050902058	DISCO X ASTE CHIUSURA CASS. ORIGIN	PA6+30GF	1
1.6	050902057	BOCCOLA PER MANIGLIA ORIGIN	PA6+30GF	1
1.7	050902006	COPRIMANIGLIA IN PLASTICA NERA		1
1.8	050503003	ASTA IN PLASTICA CASSETTA ORIGIN 600	PA6+30GF	2
1.10	456065090	COPERCHIO ORIGIN 600 STAMPATO	Polypropylene	1
1.11	050503001	ASTA CENTRALE PLASTICA CASSETTE ORIGIN	PA6+30GF	1
2	466015090	CORPO CASSA 600	Polypropylene	1

ACCURACY				REVIEW	N°2	DATE	DESCRIPTION	DRAFTSMAN
LINEAR DIMENSIONS								
to 6	±0.1	from 6 to 30	±0.2	from 30 to 120	±0.3	from 120 to 315	±0.5	
from 315 to 1000	±0.8	from 1000 to 2000	±1.2	from 2000 to 4000	±2.0	from 4000	±3.0	
ANGULAR DIMENSIONS				MATERIAL		TREATMENT	DRAFTSMAN	
from 6	±1°	to 6 from 30	±30'	from 30 to 120	±20'	from 120	±10'	<b>Polypropylene</b>
				CREATION DATE		DRAFTSMAN		
				28/01/2022		<b>Paolo Livio</b>		
 <b>Lago Accessori srl</b> via 1°Maggio 20, 35014 Fontaniva (Pd) Italy Tel: +39 049 5940932 Fax: +39 049 5940599 www.lagoaccessori.net info@lagoaccessori.net				SCALE		SET		
				1 : 1		DRAWING CODE		
				SHEET		DESCRIPTION		
				2/2		ORIGIN 600		
						DESCRIPTION OF FINISHED PRODUCT		
						446064090		