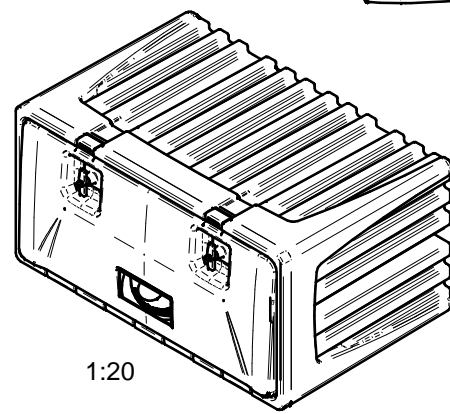

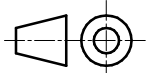


DETTAGLIO A

THICKNESS MIDDLE : 4mm
WEIGHT : 18Kg
VOLUME : 260 l



FOR ALL MISSING DIMENSIONS
MAKE REFERENCE TO THE
MODEL CAD 3D

ACCURACY				REVIEW	N°2	DATE	DESCRIPTION	DRAFTSMAN
LINEAR DIMENSIONS						N°1	DATE	DESCRIPTION
to 6	±0.1	from 6 to 30	±0.2	from 30 to 120	±0.3	from 120 to 315	±0.5	
from 315 to 1000	±0.8	from 1000 to 2000	±1.2	from 2000 to 4000	±2.0	from 4000	±3.0	
ANGULAR DIMENSIONS				MATERIAL		TREATMENT	DRAFTSMAN	
from 6	±1°	to 6 from 30	±30'	from 30 to 120	±20'	from 120 to 120	±10'	Manuel Pillan
 <p>Lago Accessori srl via 11Maggio 20, 35014 Fontaniva (Pd) Italy Tel: +39 049 5940932 Fax: +39 049 5940599 www.lagoaccessori.net info@lagoaccessori.net</p>				SCALE		CREATION DATE		SET
				1 : 12.5		19/12/2016		DRAWING CODE 445055017.asm
SHEET				1/1				DESCRIPTION
								CASSETTA 1000X500X650 BLACK DOG CODE AND DESCRIPTION OF FINISHED PRODUCT