

1 2 3 4 5 6 7 8

A

B

C

D

E

F

A

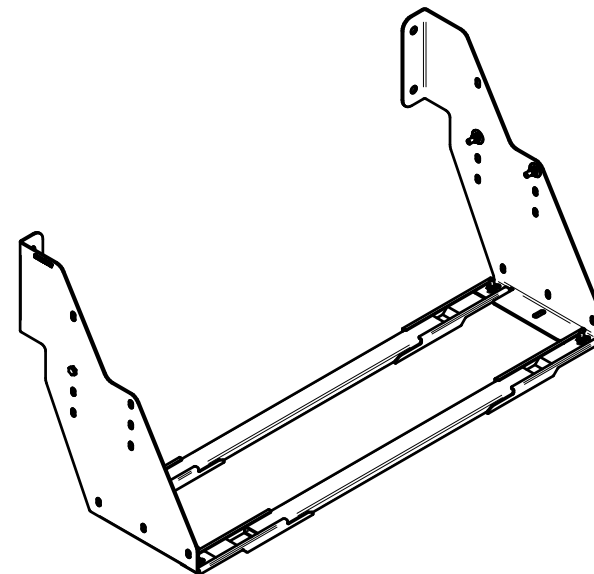
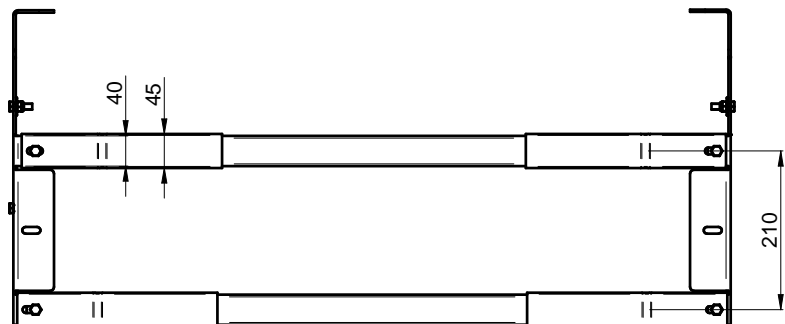
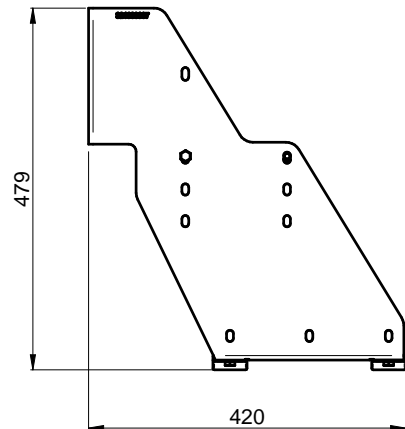
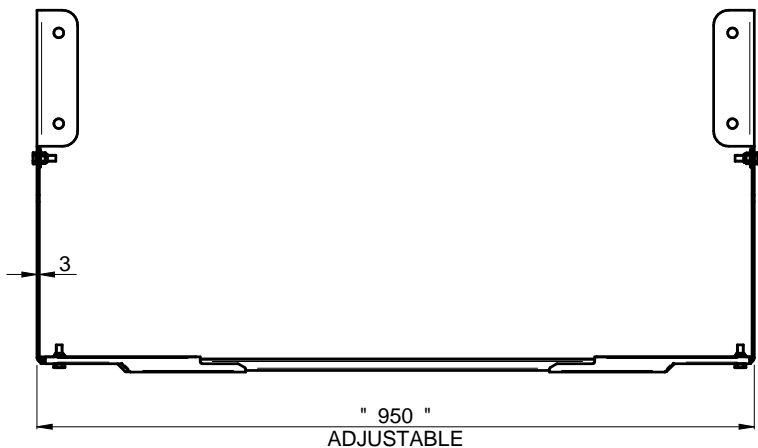
B

C

D

E

F



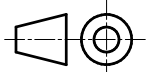
ACCURACY LINEAR DIMENSIONS					REVIEW	N°2	DATE	DESCRIPTION	DRAFTSMAN
to 6	±0.1	from 6 to 30	±0.2	from 30 to 120		±0.3	from 120 to 315	±0.5	.
from 315 to 1000	±0.8	from 1000 to 2000	±1.2	from 2000 to 4000	±2.0	from 4000	±3.0	.	DRAFTSMAN
					MATERIAL		TREATMENT	DRAFTSMAN	
					STEEL			Guglielmo Callegarin	
					CREATION DATE		SET		
					16/01/2020		DRAWING CODE		
							311668060.asm		
					SHEET		DESCRIPTION		
					1/2		KIT SUPP. DAY/T MOT/T NERO TEL.1000		
							CODE AND DESCRIPTION OF FINISHED PRODUCT		



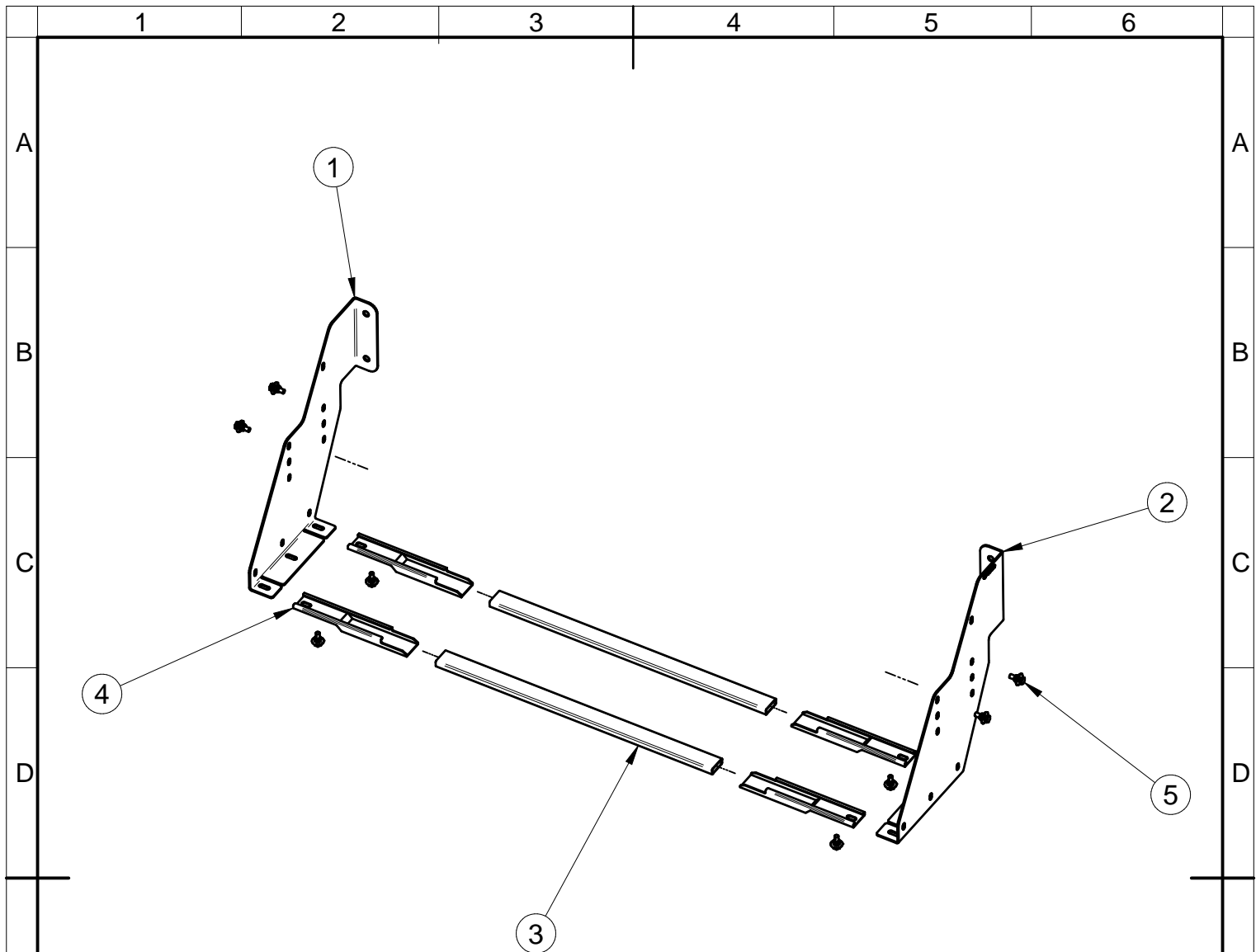
Lago Accessori srl
 via 1°Maggio 20, 35014 Fontaniva (Pd) Italy
 Tel: +39 049 5940932 Fax: +39 049 5940599
 www.lagoaccessori.net info@lagoaccessori.net

SCALE
1 : 10


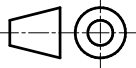
SHEET
1/2



1 2 3 4 5 6 7 8



POSIZIONE	CODICE	QUANTITA'	TITOLO
1	321638037	1	SUPP.NERO TEL. DAY/T MOT/T 1000/700 SX
2	321638036	1	SUPP.NERO TEL. DAY/T MOT/T 1000/700 DX
3	471647025	2	PROFILO INF.NERO DAY/T MOT/T 1000
4	471623000	4	TERMINALE V.NERO PROF.INF. CASSETTA
5	071103001	1	KIT VITERIA X 8 PROFILI "L" SUPP.PIANALE

ACCURACY LINEAR DIMENSIONS		REVIEW N°2 N°1	DATE	DESCRIPTION	DRAFTSMAN						
to 6	±0.1		from 6 to 30	±0.2	from 30 to 120	±0.3	from 120 to 315	±0.5	DATE	DESCRIPTION	DRAFTSMAN
from 315 to 1000	±0.8	from 1000 to 2000	±1.2	from 2000 to 4000	±2.0	from 4000	±3.0	MATERIAL		TREATMENT	DRAFTSMAN
ANGULAR DIMENSIONS		CREATION DATE 16/01/2020		SET DRAWING CODE 311668060.asm							
from 6	±1°	to 6 from 30	±30'	from 30 to 120	±20'	from 120	±10'	DESCRIPTION KIT SUPP. DAY/T MOT/T NERO TEL.1000 CODE AND DESCRIPTION OF FINISHED PRODUCT			
 Lago Accessori srl via 1°Maggio 20, 35014 Fontaniva (Pd) Italy Tel: +39 049 5940932 Fax: +39 049 5940599 www.lagoaccessori.net info@lagoaccessori.net		SCALE 1 : 10			SHEET 2/2						