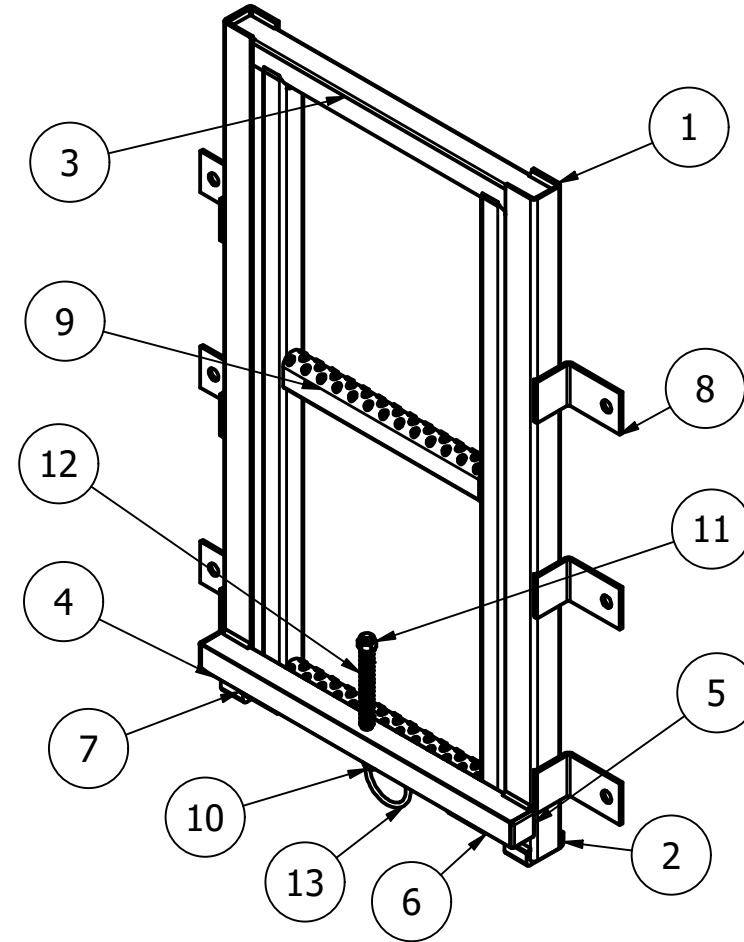


PARTS LIST			
ITEM	QTY	PART NUMBER	DESCRIPTION
1	2	AJ 0888-1	M/STEEL- UPRIGHT - Z/C PASSIVATE
2	2	AJ 0888-3	M/STEEL- STOPPER - WELDED- Z/C PASSIVATE
3	1	AJ 0888-2	M/STEEL- TOP STOPPER BAR- Z/C PASSIVATE
4	1	AJ 0888-4	M/STEEL- CROSSBAR- Z/C PASSIVATE
5	2	AJ 0888-5	CROSSBAR END CAPS- BLACK
6	1	AJ 0888-6	M/STEEL- SUPPORT BRACKET- Z/C PASSIVATE
7	1	AJ 0888-6_MIR	M/STEEL- SUPPORT BRACKET- Z/C PASSIVATE
8	6	AJ 0888-7	M/STEEL- MOUNTING BRACKETS- Z/C PASSIVATE
9	1	AJ 0888-8	M/STEEL- STEP LADDER- Z/C PASSIVATE
10	1	AJ 0888-9	M/STEEL- SPRING LOADED LOCKING PIN- Z/C PASSIVATE
11	1	ECRO001S	M/STEEL- BOLT- Z/C PASSIVATE
12	1	4010-RESSORT	M/STEEL- SPRING- Z/C PASSIVATE
13	1	AJ 0888-10	M/STEEL- ORING HANDLE- NATURAL



REV	DESCRIPTION	DATE	APPROVED
1	VALIDATION COMPLETE	15/08/22	C.H

SCALE	MATERIAL	MASS	FINISH	Date	ALL DIMS IN MM UNLESS STATED DO NOT SCALE
1 : 6	SEE TABLE	N/A	SEE TABLE	10/08/2022	

albert Jagger		RETRACTABLE UNDERBODY ACCESS STEP	
6688-681116002	Edition 1	Sheet 1 / 1	

GENERAL TOLERANCES ON LENGTHS
 0.5 - 6 ± 0.1mm
 6 - 30 ± 0.2mm
 30 - 120 ± 0.3mm
 120 - 400 ± 0.5mm
 400 - 1000 ± 0.8mm
 1000 - 2000 ± 1.2mm
 2000 - 4000 ± 2.0mm

ALBERT JAGGER LTD
 GREEN LANE
 WALSALL WEST MIDLANDS WS2 8HG
 PHONE: 01922 471000
 FAX: 01922 648021

THIS DRAWING & THE DESIGN SHOWN ARE THE PROPERTY OF ALBERT JAGGER LTD AND MUST NOT BE USED OR COPIED BY A THIRD PARTY WITHOUT PERMISSION

DRAWN BY
S.R

CHECKED BY
C.H

THIRD ANGLE PROJECTION

SCALE
1 : 6

MATERIAL
SEE TABLE

MASS
N/A

FINISH
SEE TABLE

Date
10/08/2022

ALL DIMS IN MM UNLESS STATED DO NOT SCALE

A3



6688-681116002

Edition 1

Sheet 1 / 1