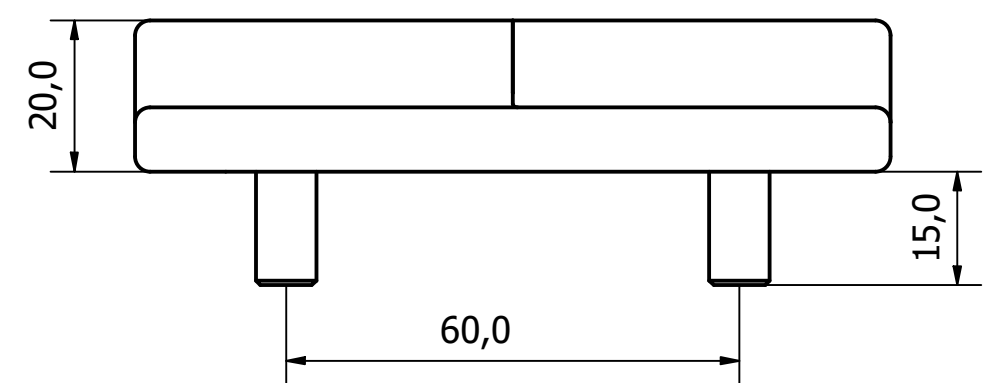
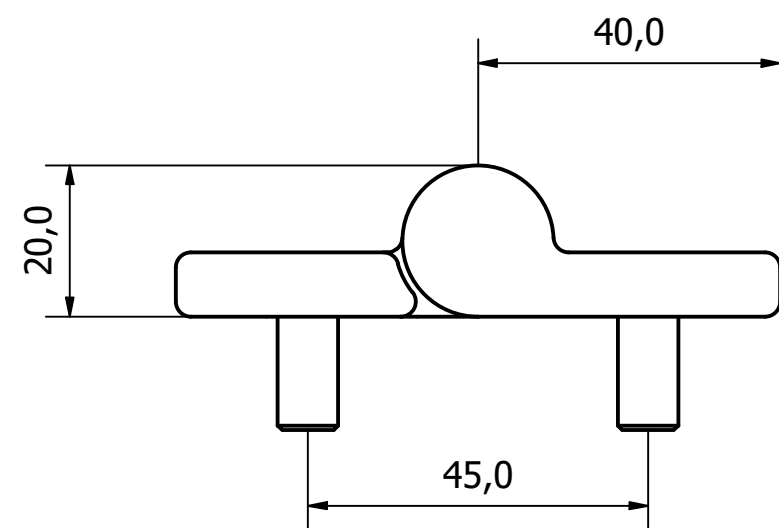


4 x M8 FIXING STUDS



1	VALIDATION COMPLETE	20/05/19	A.P
REV	DESCRIPTION	DATE	APPROVED

GENERAL TOLERANCES ON LENGTHS

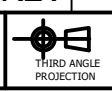
0.5 - 6 ± 0.1mm
6 - 30 ± 0.2mm
30 - 120 ± 0.3mm
120 - 400 ± 0.5mm
400 - 1000 ± 0.8mm
1000 - 2000 ± 1.2mm
2000 - 4000 ± 2.0mm

ALBERT JAGGER LTD  
 GREEN LANE  
 WALSALL PHONE: 01922 471000  
 WEST MIDLANDS FAX: 01922 648021  
 WS2 8HG

THIS DRAWING & THE DESIGN SHOWN ARE THE PROPERTY OF ALBERT JAGGER LTD AND MUST NOT BE USED OR COPIED BY A THIRD PARTY WITHOUT PERMISSION

DRAWN BY  
A.S

CHECKED BY  
A.P



SCALE  
1 : 1

MATERIAL  
NYLON

MASS  
0.000 kg

FINISH  
BLACK

Date  
13/02/2019

ALL DIMS IN MM UNLESS STATED DO NOT SCALE

A3



NYLON LIFT OFF LEAF HINGE - LEFT HAND					
9000-9-04441	<table border="1"> <tr> <td>Edition</td> <td>Sheet</td> </tr> <tr> <td>1</td> <td>1 / 1</td> </tr> </table>	Edition	Sheet	1	1 / 1
Edition	Sheet				
1	1 / 1				