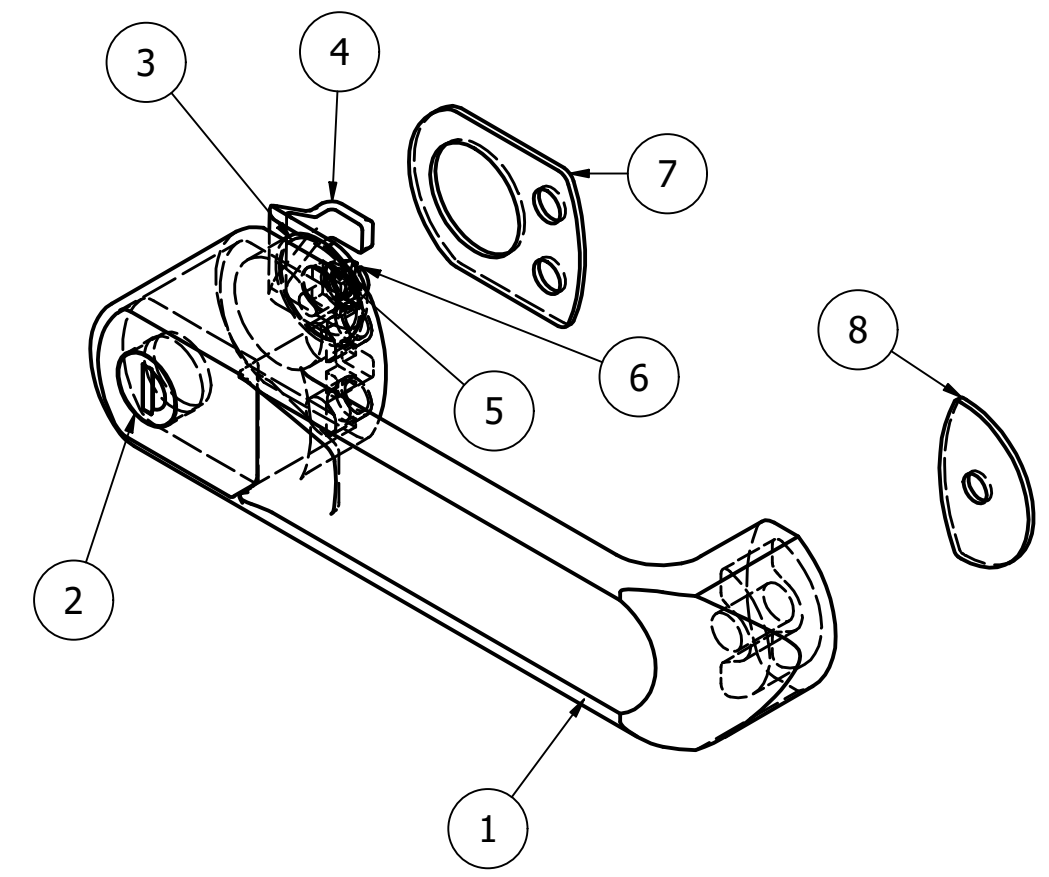


PARTS LIST			
ITEM	QTY	PART NUMBER	DESCRIPTION
1	1	9304-002-3	REINFORCED POLYESTER WITH A BLACK GLOSS & LIGHT ETCH FINISH
2	1	9304-002-1	M/STEEL- PUSH BUTTON LOCK
3	1	9304-002-4	RUBBER WASHER- BLACK
4	1	9304-002-2	M/STEEL-ZINC PLATED PRESSED STEEL CAM
5	1	9304-002-5	M/STEEL- WASHER Z/C PASSIVATE
6	1	9300-002-5	M/STEEL SCREW
7	1	9304-002-8	PVC PUSH BUTTON HANDLE GASKET LARGE
8	1	9304-002-9	PVC PUSH BUTTON HANDLE SMALL GASKET



1	VALIDATION COMPLETE	01/10/2021	C.H
REV	DESCRIPTION	DATE	APPROVED

GENERAL TOLERANCES ON LENGTHS

0.5 - 6 ± 0.1mm
6 - 30 ± 0.2mm
30 - 120 ± 0.3mm
120 - 400 ± 0.5mm
400 - 1000 ± 0.8mm
1000 - 2000 ± 1.2mm
2000 - 4000 ± 2.0mm

ALBERT JAGGER LTD
 GREEN LANE
 WALSALL PHONE: 01922 471000
 WEST MIDLANDS FAX: 01922 648021
 WS2 8HG

THIS DRAWING & THE DESIGN SHOWN ARE THE PROPERTY OF ALBERT JAGGER LTD AND MUST NOT BE USED OR COPIED BY A THIRD PARTY WITHOUT PERMISSION

DRAWN BY S.R	CHECKED BY C.H	THIRD ANGLE PROJECTION	SCALE 1:2	MATERIAL SEE TABLE	MASS 0.087 kg	FINISH SEE TABLE	Date 28/09/2021	ALL DIMS IN MM UNLESS STATED DO NOT SCALE	A3
-----------------	-------------------	------------------------	--------------	-----------------------	------------------	---------------------	--------------------	---	----



PUSH BUTTON HANDLES - TRIMOUNT 9304 SERIES	
9304-002	Edition 1 / Sheet 1 / 1