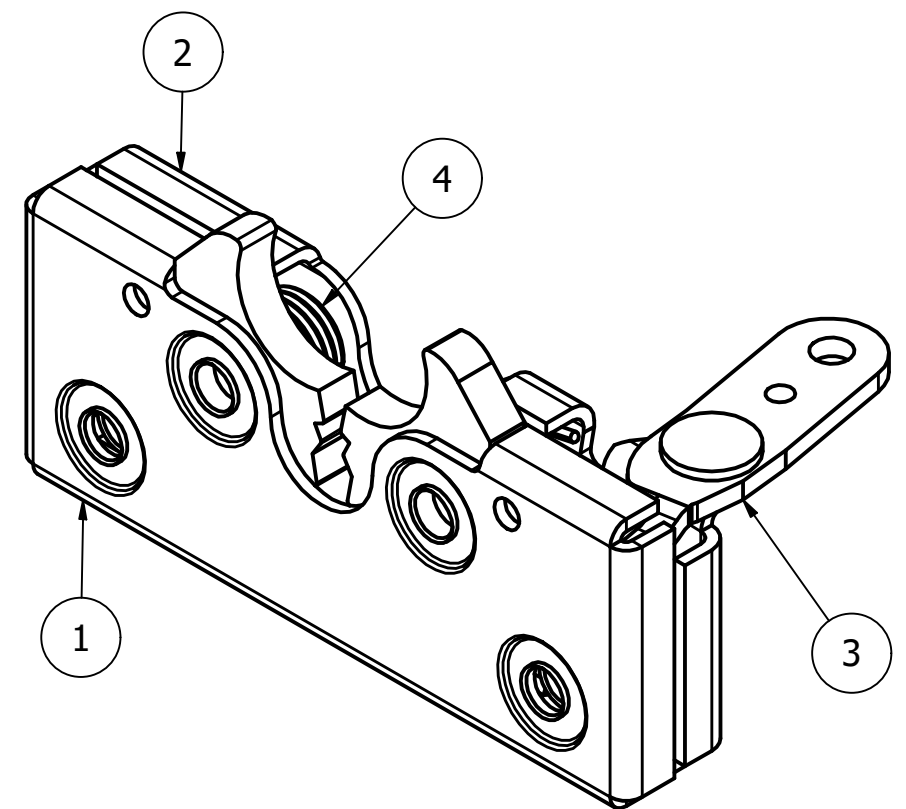
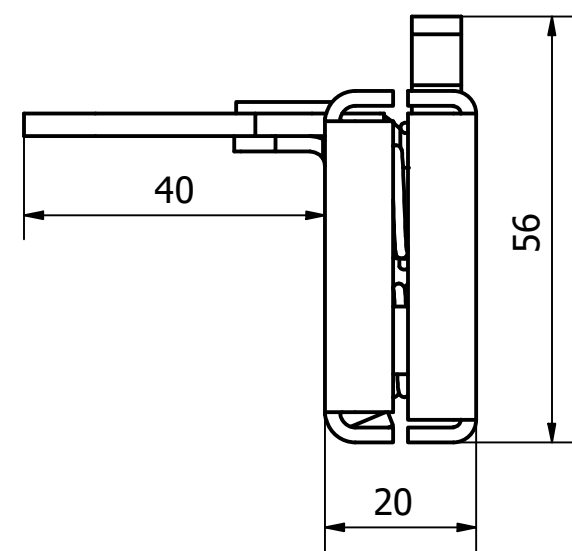
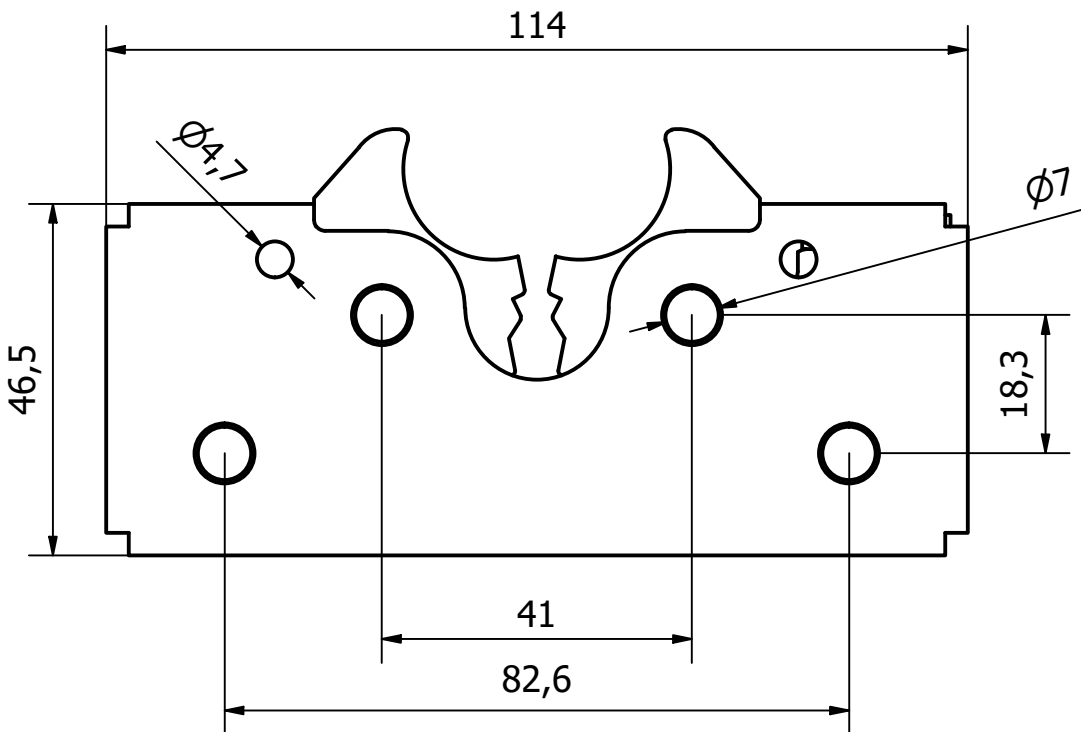
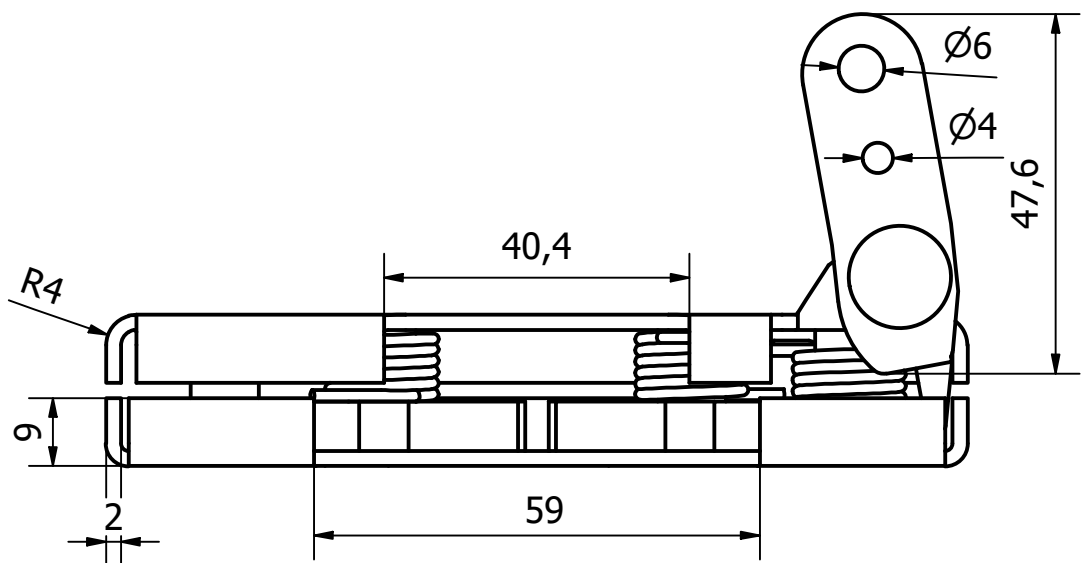


PARTS LIST

ITEM	QTY	PART NUMBER	DESCRIPTION
1	1	9500-11879-01-1	M/STEEL- LH BODY PLATE - Z/C PASSIVATE
2	1	9500-11879-01-2	M/STEEL-RH BODY PLATE- Z/C PASSIVATE
3	1	9500-11879-01-3	M/STEEL- HANDLE- Z/C PASSIVATE
4	3	9500-11879-01-4	M/STEEL- SPRINGS- Z/C PASSIVATE



1	VALIDATION COMPLETE	26/04/22	C.H
REV	DESCRIPTION	DATE	APPROVED

GENERAL TOLERANCES ON LENGTHS

0.5 - 6 ± 0.1mm
6 - 30 ± 0.2mm
30 - 120 ± 0.3mm
120 - 400 ± 0.5mm
400 - 1000 ± 0.8mm
1000 - 2000 ± 1.2mm
2000 - 4000 ± 2.0mm

ALBERT JAGGER LTD
 GREEN LANE
 WALSALL PHONE: 01922 471000
 WEST MIDLANDS FAX: 01922 648021
 WS2 8HG

THIS DRAWING & THE DESIGN SHOWN ARE THE PROPERTY OF ALBERT JAGGER LTD AND MUST NOT BE USED OR COPIED BY A THIRD PARTY WITHOUT PERMISSION

DRAWN BY S.R
 CHECKED BY C.H
 THIRD ANGLE PROJECTION



SCALE 1 : 1	MATERIAL SEE TABLE	MASS 0.274 kg	FINISH SEE TABLE	Date 25/04/2022	ALL DIMS IN MM UNLESS STATED DO NOT SCALE	A3
TWO ROTOR LATCH, 1 POINT LEVER, THROUGH AXLES					9500-11879-01	Edition 1 / Sheet 1 / 1