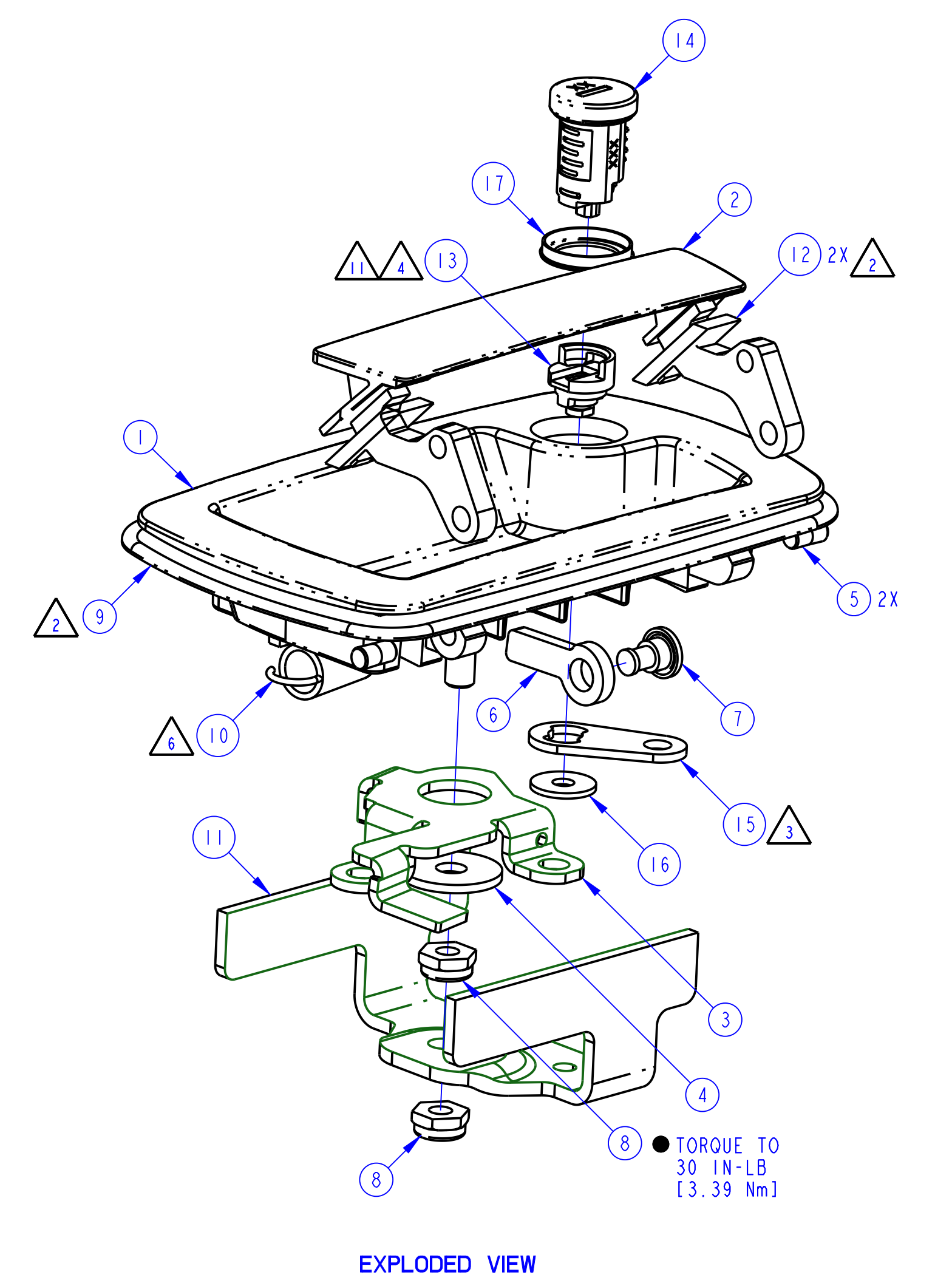
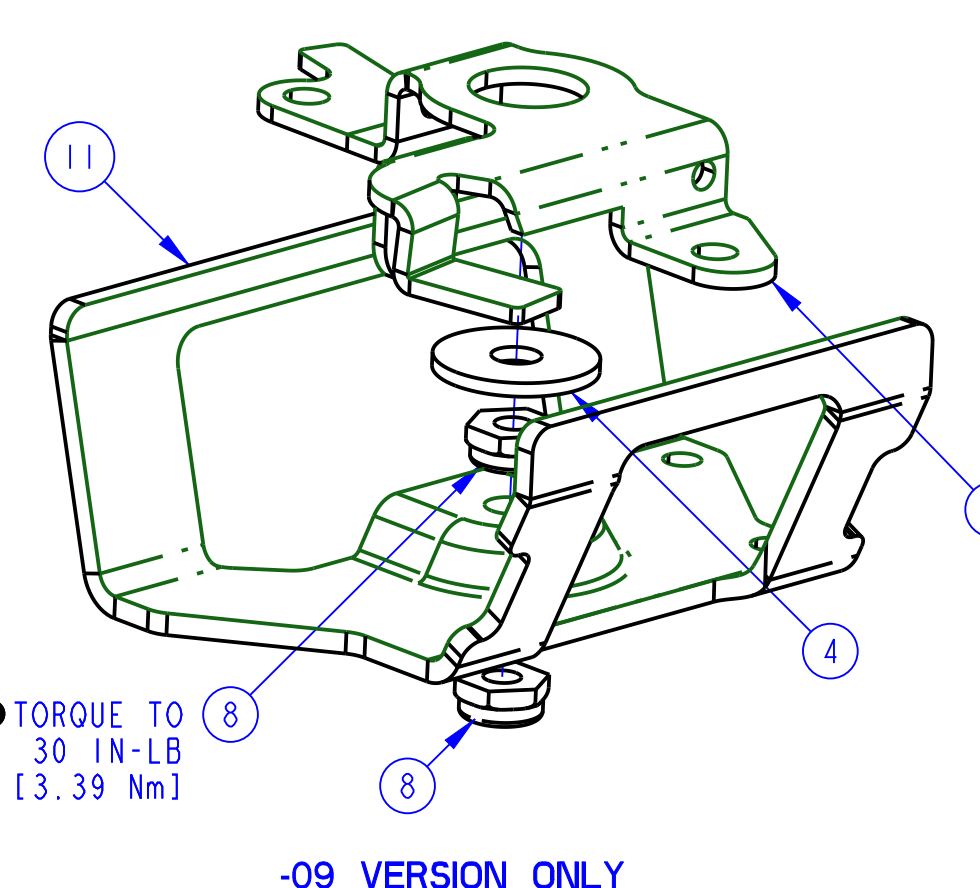
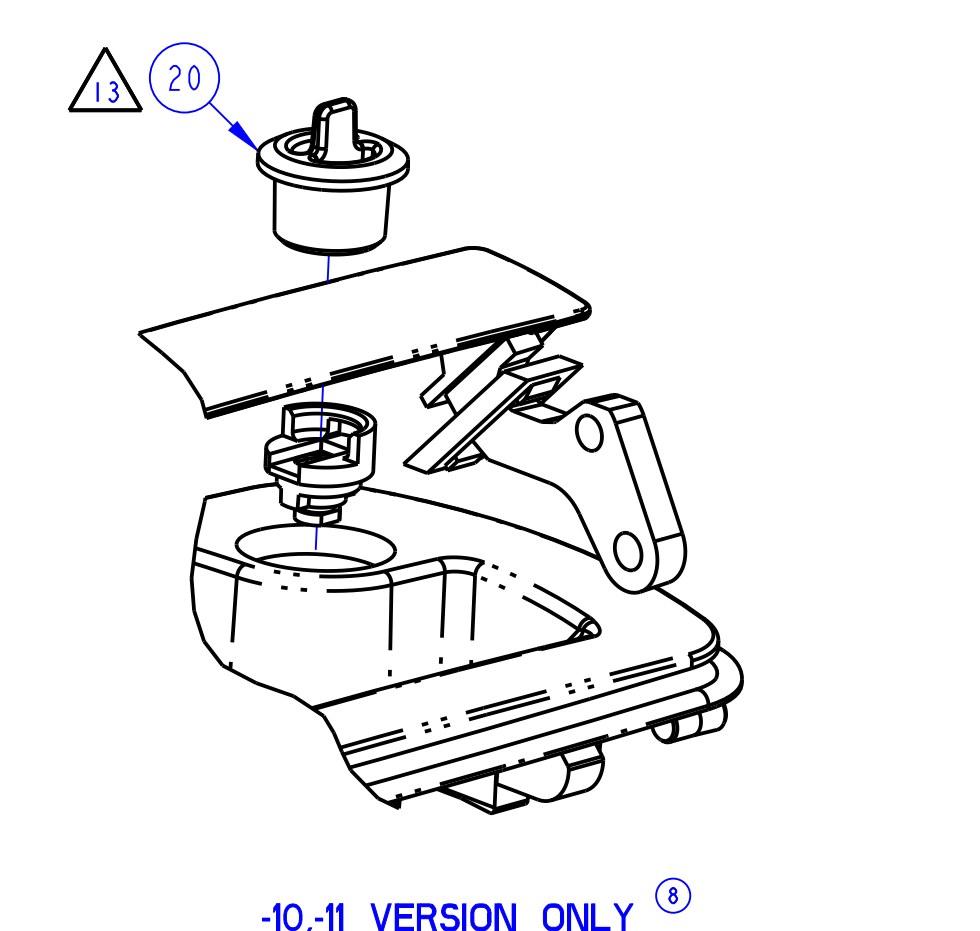
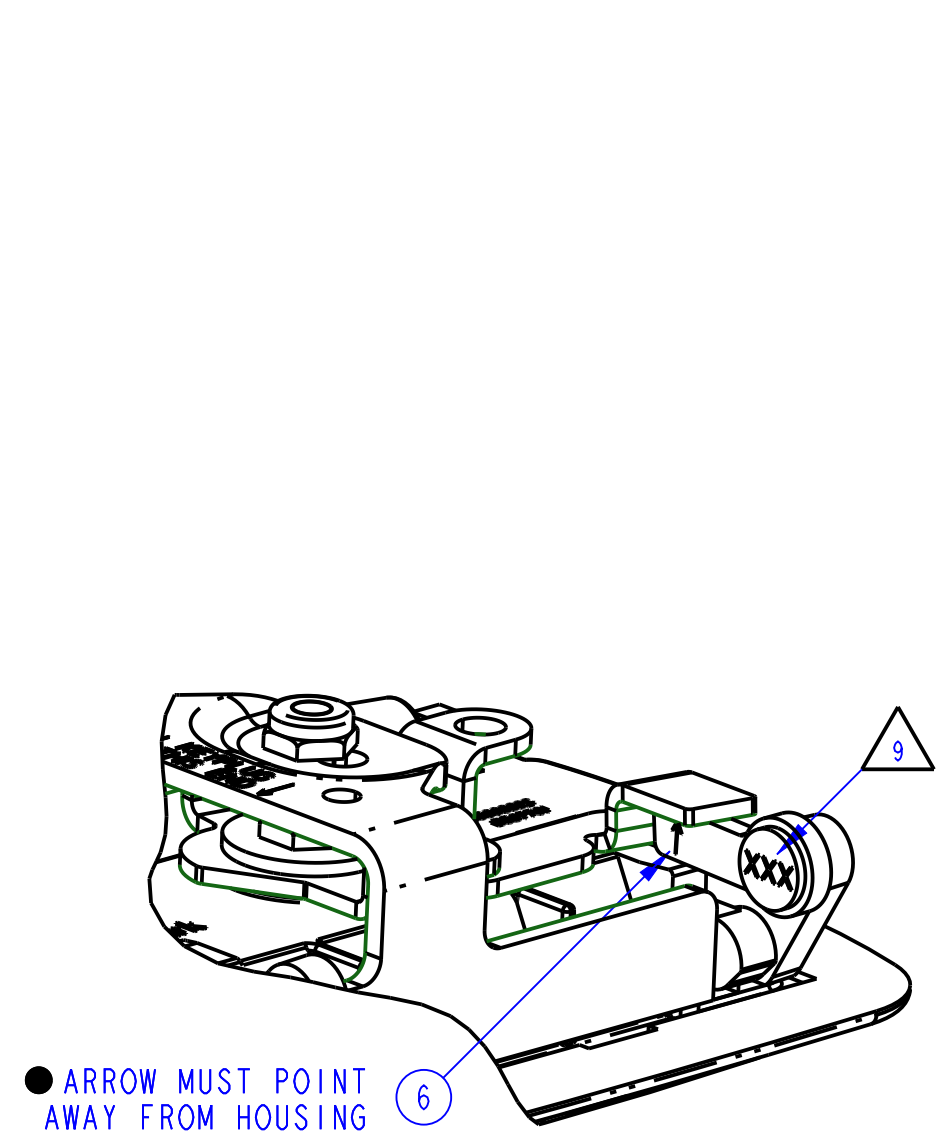


PART NUMBER DESCRIPTION	ITEM 1 SUBASSY (QTY)	ITEM 2 PADDLE (QTY)	ITEM 3 PLATE (QTY)	ITEM 4 WASHER (QTY)	ITEM 5 PIN (QTY)	ITEM 6 ARM (QTY)	ITEM 7 RIVET (QTY)	ITEM 8 NUT (QTY)	ITEM 9 GASKET (QTY)	ITEM 10 SPRING (QTY)	ITEM 11 BRACKET (QTY)	ITEM 12 GASKET (QTY)	ITEM 13 ACTUATOR (QTY)	ITEM 14 LK CYL (QTY)	ITEM 15 LK CAM (QTY)	ITEM 16 WASHER (QTY)	ITEM 17 SEAL (QTY)	ITEM 18 KEY (QTY)	ITEM 19 RING (QTY)	ITEM 20 PLUG (QTY)	FINISH	DIM "A"	DIM "B"	KEYS SUPPLIED YES/NO (QTY)
22659-01 030-1400,LGB,LH, IPT,LGSTUD		20498-02 (1)												16014-14-1000 (1)				N/A						YES (2)
22659-02 030-1400,LGB,LH, IPT,LGSTUD	20596-05 (1)													16014-92-9002 (1)				14472-02-1003 (1)				1.15 [29.2]	1.867 [47.42]	
22659-03 030-1400,LGB/CNCC,LH, IPT,LGSTUD		20498-01 (1)																	N/A					
22659-04 030-1400,LGB,LH, IPT,LGSTUD		20498-02 (1)	81242-01 (1)											16014-02-2001 (1)				16169-02-2001 (1)		N/A				YES (1)
22659-05 030-1400,CNCC,LH, IPT,SHTSTUD	20596-04 (1)	20498-01 (1)													17299-01 (1)							.90 [22.9]	1.617 [41.07]	
22659-06 030-1400,LGB,LH, IPT,LGSTUD	20596-05 (1)	20498-02 (1)												16014-92-9004 (1)				N/A						NO
22659-08 030-1400,LGB,LH, IPT,LGSTUD				80999-16 (1)	80913-15 (2)	11712-01 (1)	81293-16 (1)	81002-15 (2)	20420-00 (1)	81083-57 (1)		20420-01 (2)	16022-01 (1)	31684-01 (1)	10	81773-15 (1)		16169-02-2001 (2)	30637-01 (1)	9				YES (2)
22659-09 030-1400,CNCC,CH751,LH, IPT,SHTSTUD	20596-04 (1)	20498-01 (1)	14482-02 (1)											16014-92-9002 (1)				14472-02-1003 (1)		N/A		.90 [22.9]	1.617 [41.07]	
22659-10 030-1400,LGB,LH, IPT,LGSTUD														N/A				N/A		18298-01 (1)				NO
22659-11 030-1400,LGB,LH, IPT,LGSTUD	20596-05 (1)	20498-02 (1)													17298-01 (1)									YES (1)
22659-12 030-1400,LGB,LH, IPT,LGSTUD			81242-01 (1)											16014-02-2001 (1)				16169-02-2001 (1)		N/A		1.15 [29.2]	1.867 [47.42]	
22659-13 030-1400,LGB,LH, IPT,LGSTUD														16014-14-1000 (1)				N/A						YES (2)
22659-14 030-1400,CNCC,LH, IPT,LGSTUD	20596-09 (1)	20498-01 (1)												16014-02-2001 (1)				16169-02-2001 (1)						YES (1)

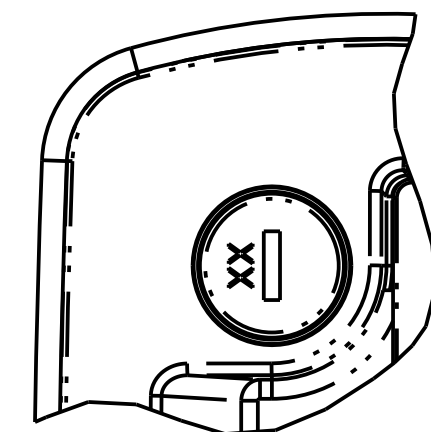
REVISION	ECN	ECN BY	DESCRIPTION
7	24222	RLO 12-19-09	ADDED -12 VERSION,CAM ORI- ENTATION VIEW,REMOVED -XX. UPDATED NOTE 12,VIEW SUB- TITLES.
8	30564	RLO 5-11-10	ADDED -11 VERSION,UPDATED VIEWS,ITEM BALLOON 15 WAS ITEM BALLOON 13.
9	37380	RLO 7-28-11	-08 (ITEM 19);30637-01 WAS 21135-01,UPDATED KEY/KEY RING VIEW.
10	37737	RLO 2-28-12	-08 (ITEM 14);31684-01 WAS 16014-02-2001,UPDATED DETAIL B VIEW DESCRIPTION.
11	37974	RLO 8-12-12	-11,-12 VERSION VIEW; UPDATED LOCKARM (ITEM 15) TRAVEL DIMENSION/LOCATION. DETAIL B;ADDED "(NOTE:-01 VERSION SHOWN)".
12	38054	RLO 10-19-12	ADDED VERSIONS -13 & -14; NEW CAM ORIENTATION VIEW (-13);SHEET TWO,UPDATED VIEW ARRANGEMENT THRU-OUT; NOTE 12 (DELETED -07,ADDED -14).



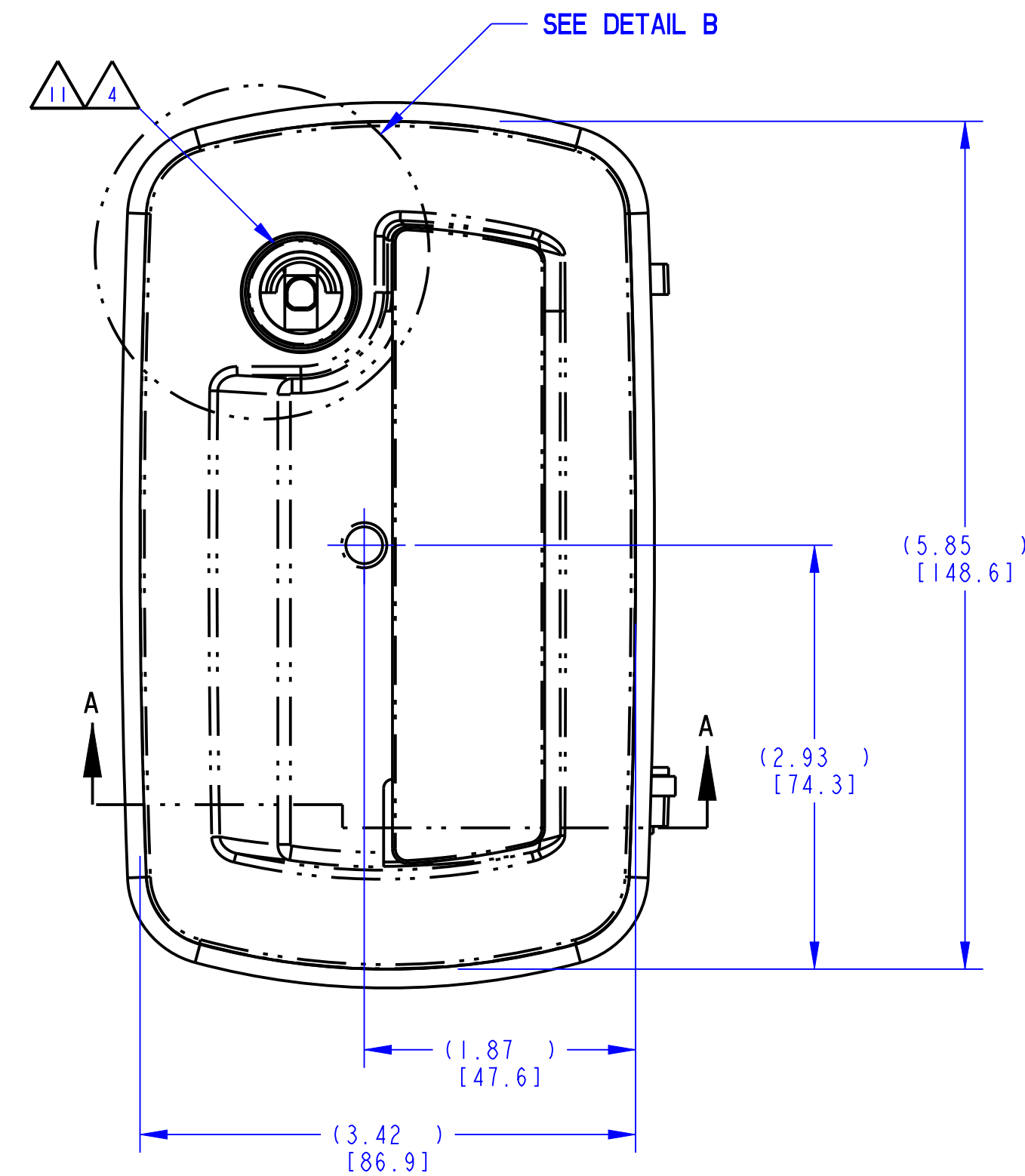
- NOTES: UNLESS OTHERWISE SPECIFIED;
- 1. AXIS POSITION OF INDICATED MOUNTING STUD WITHIN CUTOUT.
  - 2. PADDLE GASKETS (ITEM 12) MUST BE INSTALLED ORIENTED AS SHOWN. HOUSING GASKET (ITEM 9) TO BE BAGGED LOOSE.
  - 3. LOCKING ARM (ITEM 15) TO BE INSTALLED IN POSITION SHOWN SO THAT LOCKING ARM TRAVEL IS AS SHOWN.
  - 4. LIBERALLY APPLY ALPHA 2000 GREASE TO THE FOLLOWING AREAS: BETWEEN CONTACT SURFACE OF ACTUATOR (ITEM 13) AND HOUSING SUBASSEMBLY (ITEM 1).
  - 5. LOCK NUT (ITEM 8) AND MOUNTING BRACKET (ITEM 11) TO BE ASSEMBLED AS SHOWN. LOCK NUT TO BE INSTALLED APPROXIMATELY FLUSH WITH TOP OF STUD AS SHOWN TO RETAIN BRACKET FOR SHIPMENT.
  - 6. ORIENTATION OF SPRING (ITEM 10) IS NOT CRITICAL.
  - 7. FINISH IS FOR REFERENCE ONLY.
  - 8. DIMENSIONS IN [ ] ARE MILLIMETERS FOR REFERENCE ONLY.
  - 9. STAMP RIVET (ITEM 7) WITH DATE CODE PER ES-121. ORIENTATION IS NOT CRITICAL.
  - 10. MOUNTING BRACKET (ITEM 11) TO BE ORIENTED ON ASSEMBLY AS SHOWN.
  - 11. ACTUATOR (ITEM 13) MUST BE INSTALLED IN POSITION SHOWN.
  - 12. VERSION -02,-09; SEAL KEY SET (ITEM 18) IN CORNER OF BAG. VERSION -03,-04,-05,-12,-14; SEAL KEY (ITEM 18) IN CORNER OF BAG. VERSION -08; ASSEMBLE KEYS (ITEM 18) TO RING (ITEM 19) AND SEAL IN CORNER OF BAG.
  - 13. PRESS PLUG (ITEM 20) INTO HOUSING (ITEM 1) KEYPLUG HOLE WITH FLANGE FLUSH OR BELOW HOUSING SURFACE. ORIENTATION IS NOT IMPORTANT.

<p>INDICATES REQUIRED ASSEMBLY INFORMATION.          UDS: THE "-00" VERSION SHALL BE THE UNFINISHED VERSION OF PART SHOWN.          UDS: ALL DIMENSIONS APPLY BEFORE COATING. (ASME Y14.5M, sec. 2.4.11)</p>		<p>DRAWN BY: GDE 08/21/06          CHECKED BY: CRZ 01/22/07</p>		<p>PROJECT: 03087          PRODUCT CODE: C30 (030-1400)</p>		<p><b>TriMark</b>          500 Bailey Avenue          P. O. Box 350          New Hampton, Iowa 50659 U.S.A.          Tel: 641-394-3188          Fax: 641-394-2392</p>	
<p>TOLERANCES UNLESS OTHERWISE SPECIFIED (UDS)          ASME Y14.5M-1994          INCH MILLIMETER          X.X ±.1 X.X ±.3          X.XX ±.03 X.XX ±.8          X.XXX ±.010 X.XXX ±.25</p>		<p>DO NOT SCALE DRAWING          REF. T/M OP 4.20-2 FOR SUP. QUALITY REQ.          REF. T/M OP 4.20-3 FOR INT. QUALITY REQ.</p>		<p>CUSTOMER PART NUMBER</p>		<p>DESCRIPTION</p>	
<p>PART WEIGHT: (1.5 LB)</p>		<p>SURFACE AREA</p>		<p>SIZE: D</p>		<p>SCALE: 1.0</p>	
<p>PART NUMBER: 22659</p>		<p>SEE BOM</p>		<p>SIZE: D</p>		<p>SCALE: 1.0</p>	

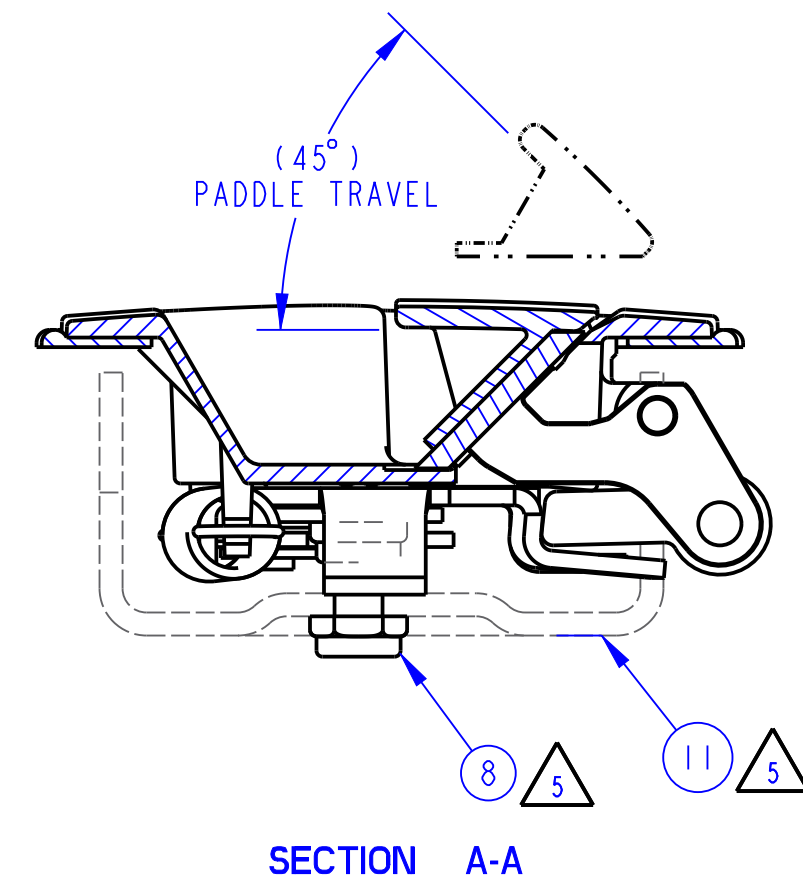
SEE SHEET 2



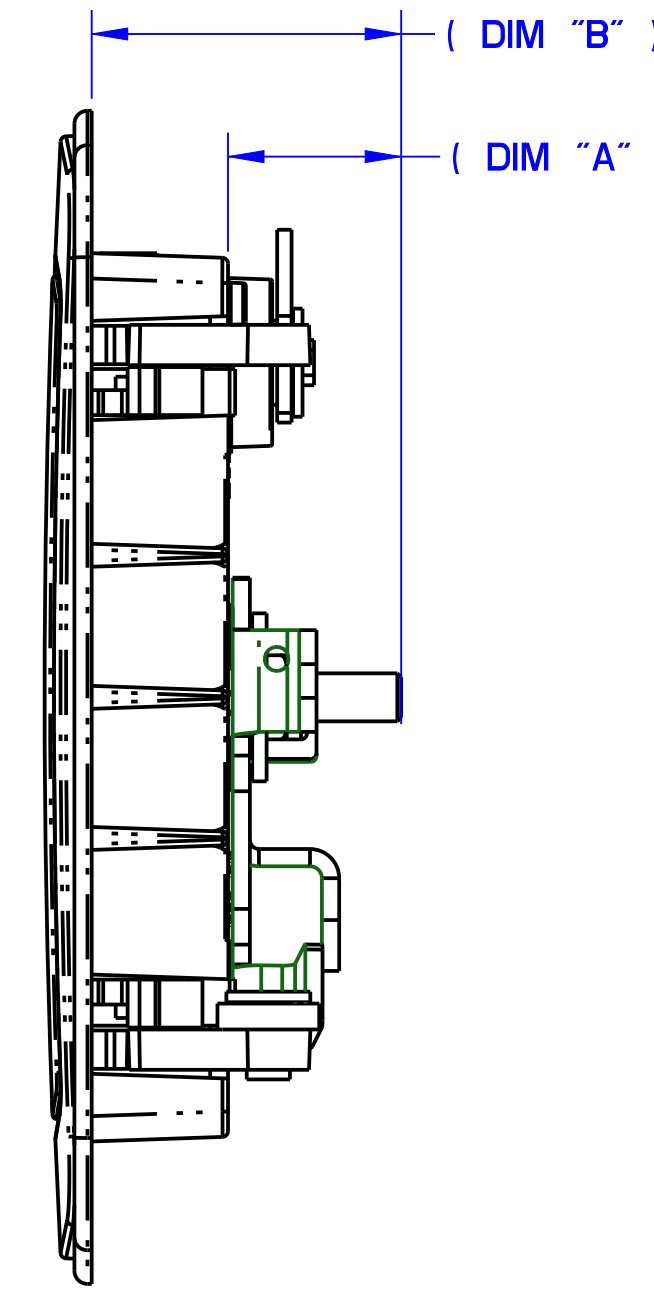
**DETAIL B** (10, 11)  
SEE TABLE FOR  
LOCKCYLINDER (ITEM 14)  
PART NUMBER, SCALP STYLE  
& SCALP STAMP  
(NOTE: -01 VERSION SHOWN)



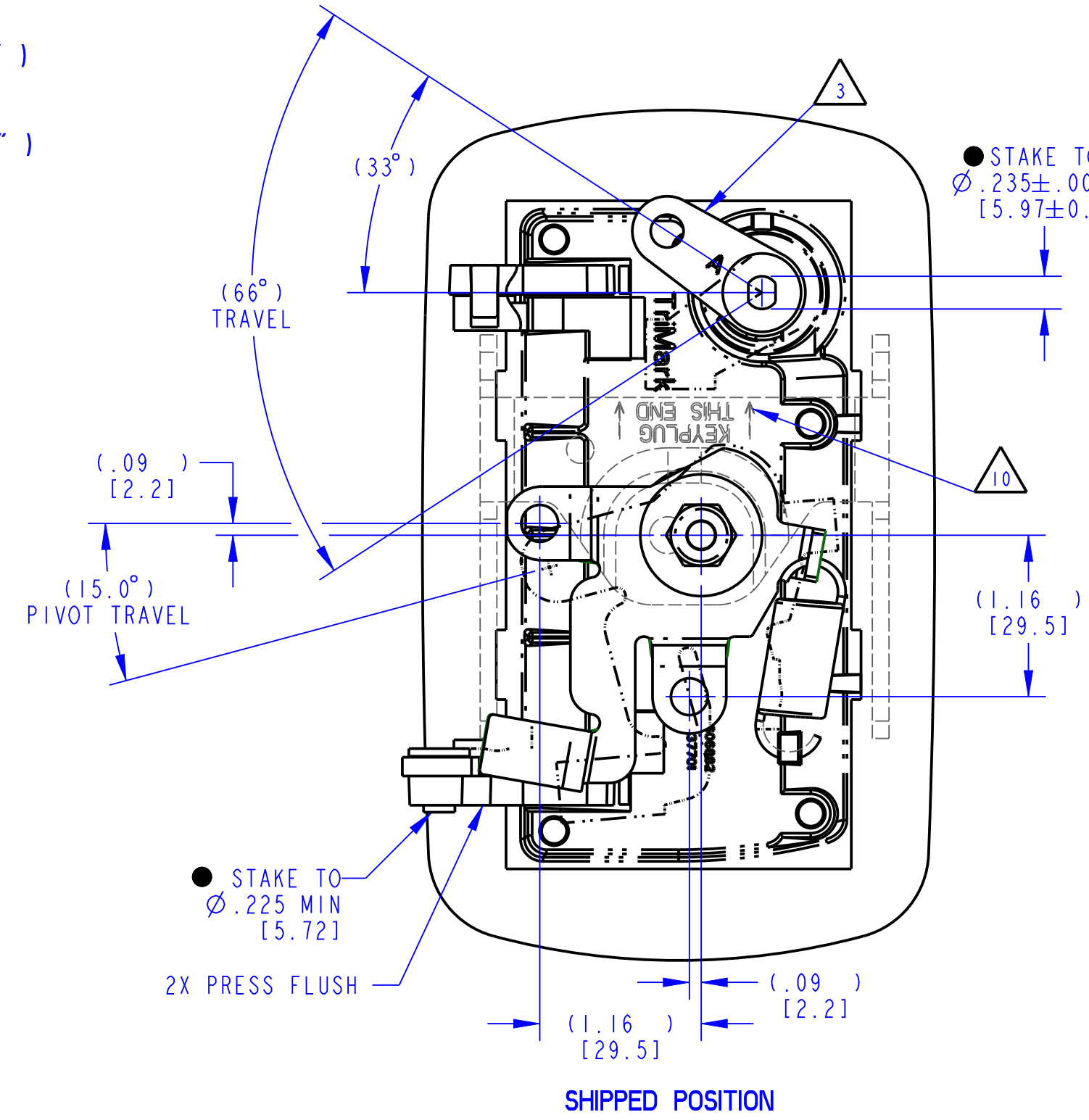
LOCK CYLINDER (ITEM 14) OMITTED TO SHOW  
ORIENTATION OF ACTUATOR (ITEM 13)



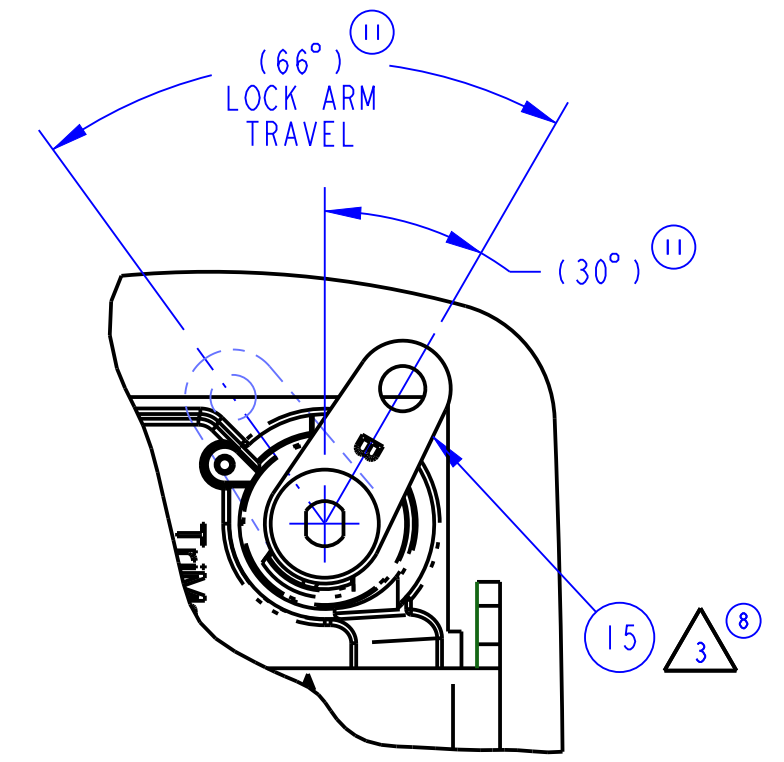
SECTION A-A



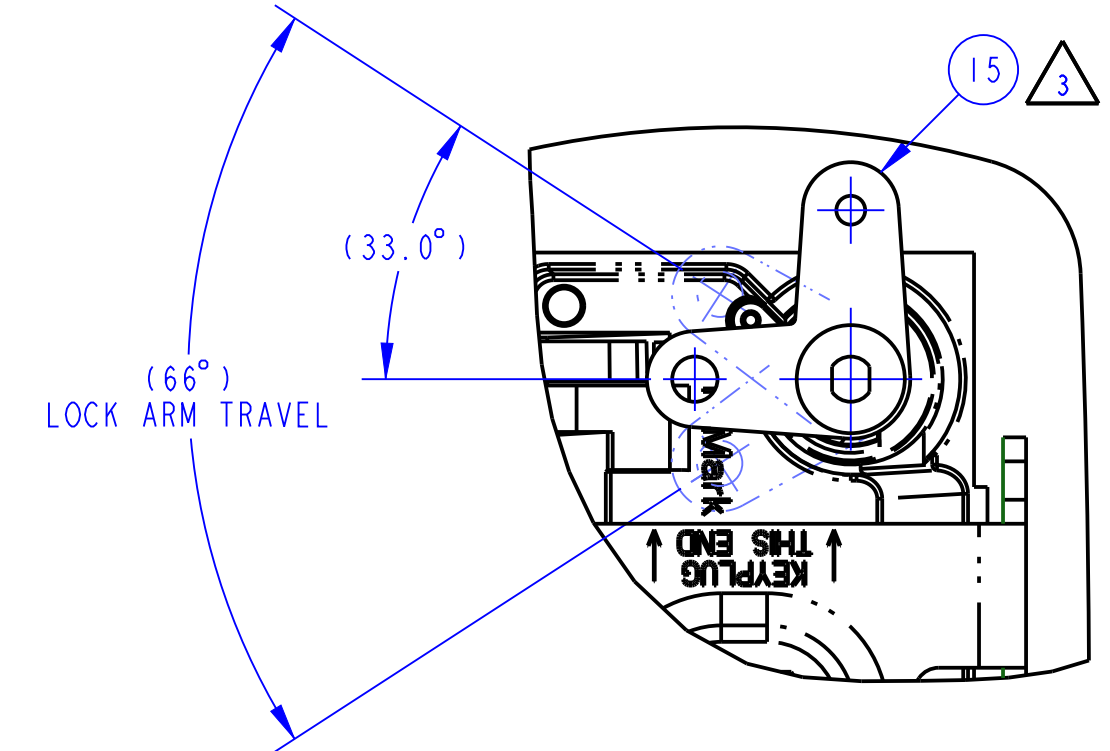
BRACKET (ITEM 11), NUT (ITEM 8) AND  
SPRING (ITEM 10) NOT SHOWN



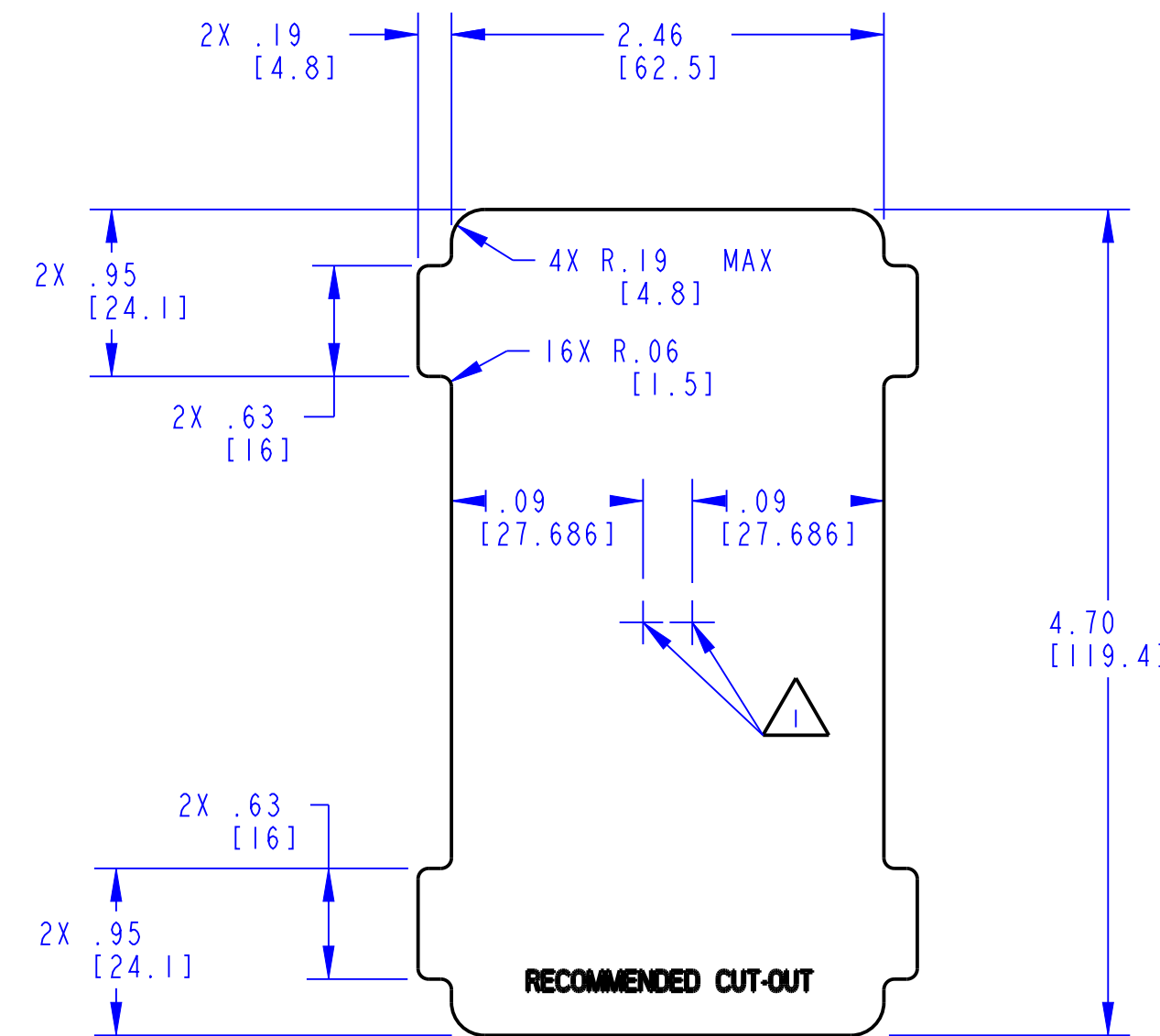
SHIPPED POSITION



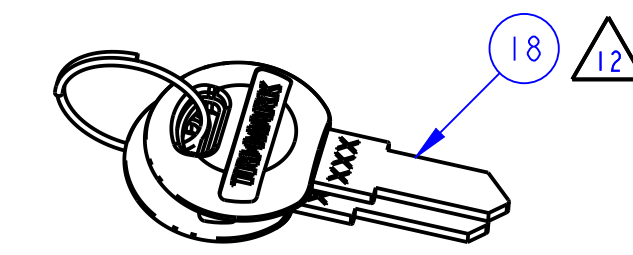
-11,-12 VERSION ONLY (7, 8)  
CAM (ITEM 15) ORIENTATION



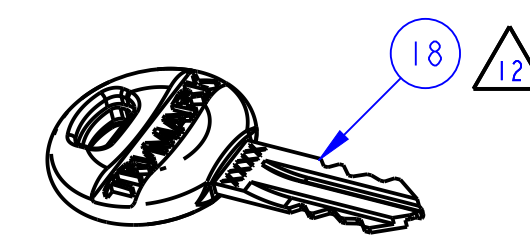
-13 VERSION ONLY (12)  
CAM (ITEM 15) ORIENTATION



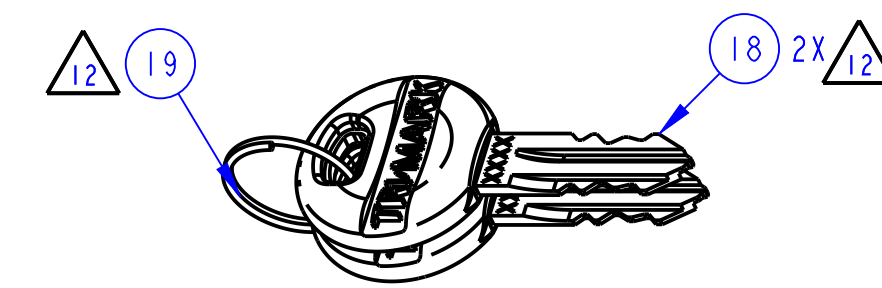
RECOMMENDED CUT-OUT



14472-02-1003  
-02,-09 VERSION



16169-02-2001 (7, 12)  
-03,-04,-05,-07,-12,-14 VERSION



16169-02-2001 w/30637-01  
-08 VERSION