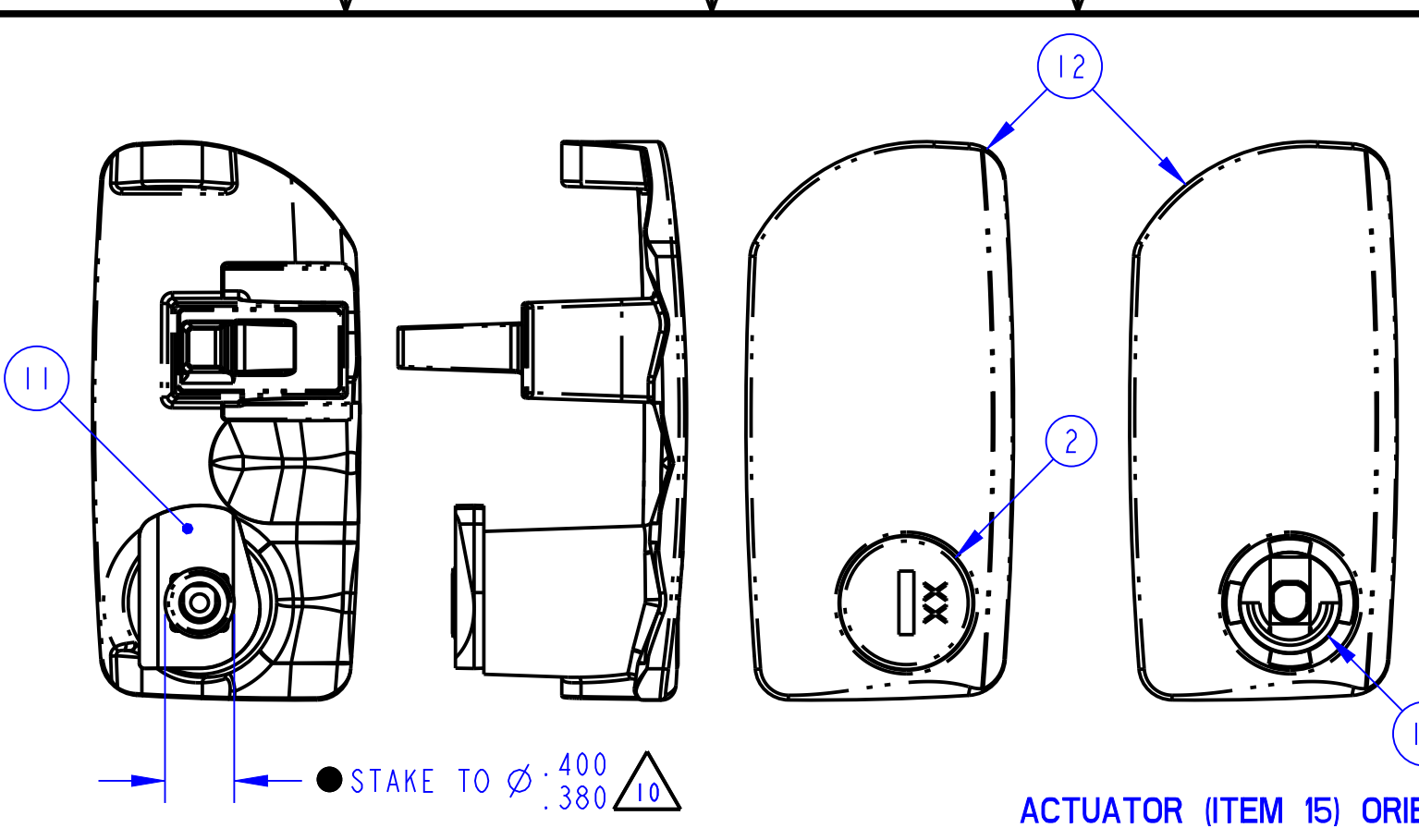
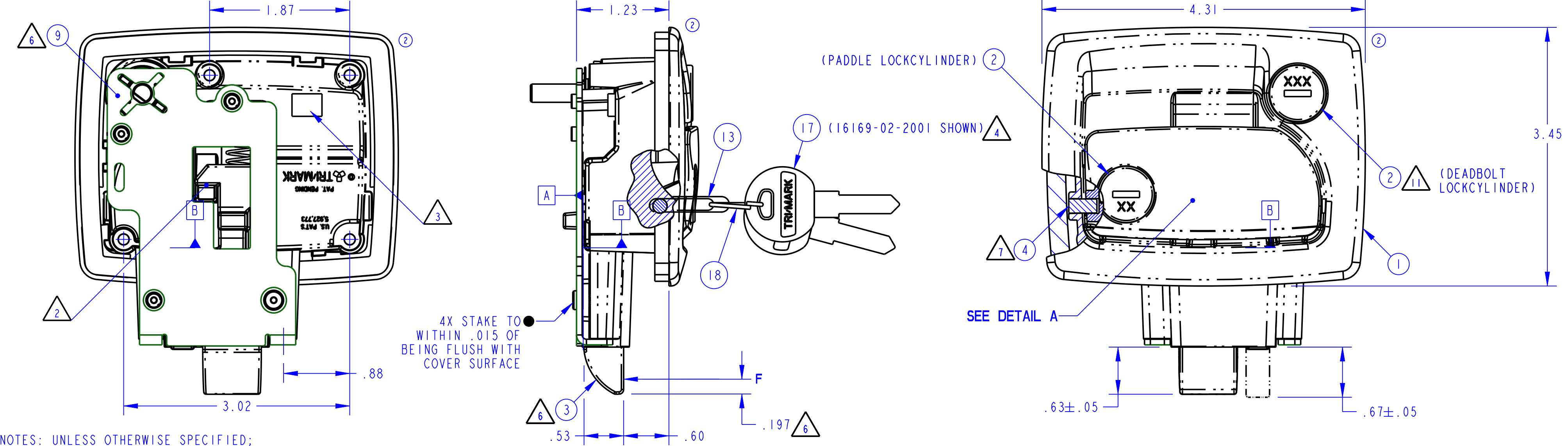
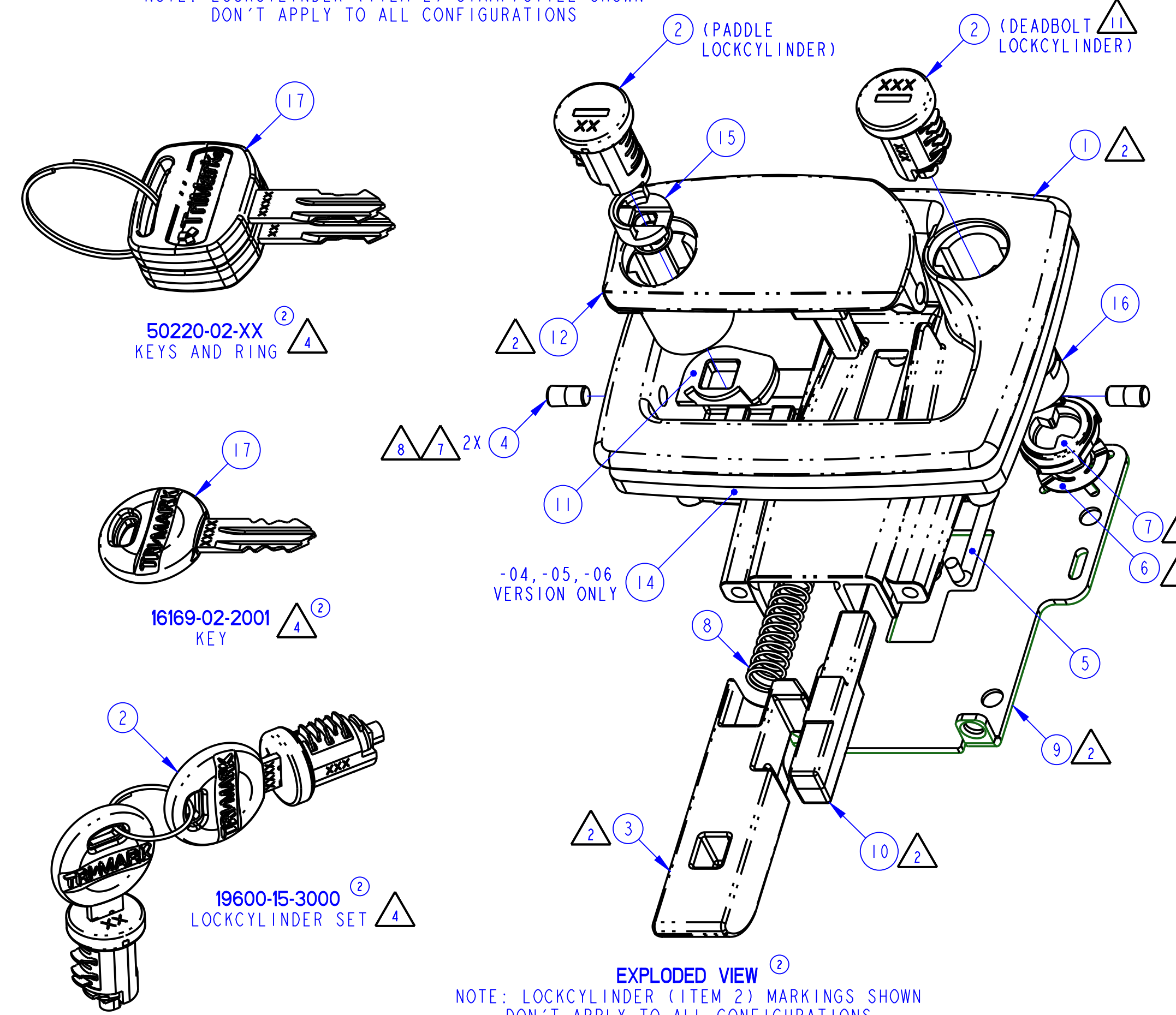


PART NUMBER DESCRIPTION	ITEM 1 HOUSING (QTY)	ITEM 2 LOCKCYLINDER (QTY)	ITEM 3 PLUNGER (QTY)	ITEM 4 PIN (QTY)	ITEM 5 LINK (QTY)	ITEM 6 SPRING (QTY)	ITEM 7 ACTUATOR (QTY)	ITEM 8 SPRING (QTY)	ITEM 9 COVER (QTY)	ITEM 10 DEADBOLT (QTY)	ITEM 11 LOCKING PAWL (QTY)	ITEM 12 PADDLE (QTY)	ITEM 13 PAPER CLIP (QTY)	ITEM 14 GASKET (QTY)	ITEM 15 ACTUATOR (QTY)	ITEM 16 ACTUATOR (QTY)	ITEM 17 KEY (QTY)	ITEM 18 RING (QTY)	FINISH	KEYS SUPPLIED YES/NO (QTY)
29790-01 060-0251, LGB, 1141-1240, W/DB, SP	29649-01 (1)											13633-01 (1)							PAINT, BLACK, LOW GLOSS	
29790-02 060-0251, SKWH, 1141-1240, W/DB, SP	29649-02 (1)											13633-02 (1)		N/A					PAINT, SKY WHITE, TGIC-POLYESTER	
29790-03 060-0251, CNC, 1141-1240, W/DB, SP	29649-03 (1)	19600-15-3000 (1)										13633-06 (1)							PLATE, COPPER-NICKEL-CHROME	
29790-04 060-0251, LGB, 1141- 1240, W/DB, SP, GSST	29649-01 (1)	[1141-1240]										13633-01 (1)							PAINT, BLACK, LOW GLOSS	
29790-05 060-0251, SKWH, 1141- 1240, W/DB, SP, GSST	29649-02 (1)											13633-02 (1)	81621 (1)	14824-01 (1)					PAINT, SKY WHITE, TGIC-POLYESTER	
29790-06 060-0251, CNC, 1141- 1240, W/DB, SP, GSST	29649-03 (1)											13633-06 (1)							PLATE, COPPER-NICKEL-CHROME	
29790-07 060-0251, CNC 2001, W/DB, SP		16014-02-2001 (2)										13633-02 (1)		N/A			16169-02-2001 (2) [2001]	30637-01 (1)	PAINT, SKY WHITE, TGIC-POLYESTER	
29790-08 060-0251, SKWH, 2001, W/DB, SP	29649-02 (1)	[2001]																		
29790-09 060-0251, LGB, 2001, W/DB, SP		16014-01-1021 (2) [1021]	19432-01 (1)	80913-15 (2)	29773-01 (1)	80895-39 (1)	29394-01 (1)	81262-15 (1)	29774-01 (1)	11700 (1)	10499 (1)									
29790-10 060-0251, LGB, 1022, W/DB, SP, GSST		16014-01-1022 (2) [1022]																		
29790-11 060-0251, LGB, 1022, W/DB, SP, GSST		16014-01-1023 (2) [1023]																		
29790-12 060-0251, LGB, 1023, W/DB, SP, GSST		16014-01-1024 (2) [1024]																		
29790-13 060-0251, LGB, 1024, W/DB, SP, GSST		16014-01-1025 (1) [1025]										13633-01 (1)		N/A	14824-01 (1)					
29790-14 060-0251, LGB, 1025, W/DB, SP, GSST	29649-01 (1)	16014-01-1026 (2) [1026]																		
29790-15 060-0251, LGB, 1026, W/DB, SP, GSST		16014-01-1027 (2) [1027]																		
29790-16 060-0251, LGB, 1027, W/DB, SP, GSST		16014-01-1028 (2) [1028]																		
29790-17 060-0251, LGB, 1028, W/DB, SP, GSST		16014-01-1029 (2) [1029]																		
29790-18 060-0251, LGB, 1029, W/DB, SP, GSST		16014-01-1030 (2) [1030]																		
29790-19 060-0251, LGB, 1030, W/DB, SP, GSST																				



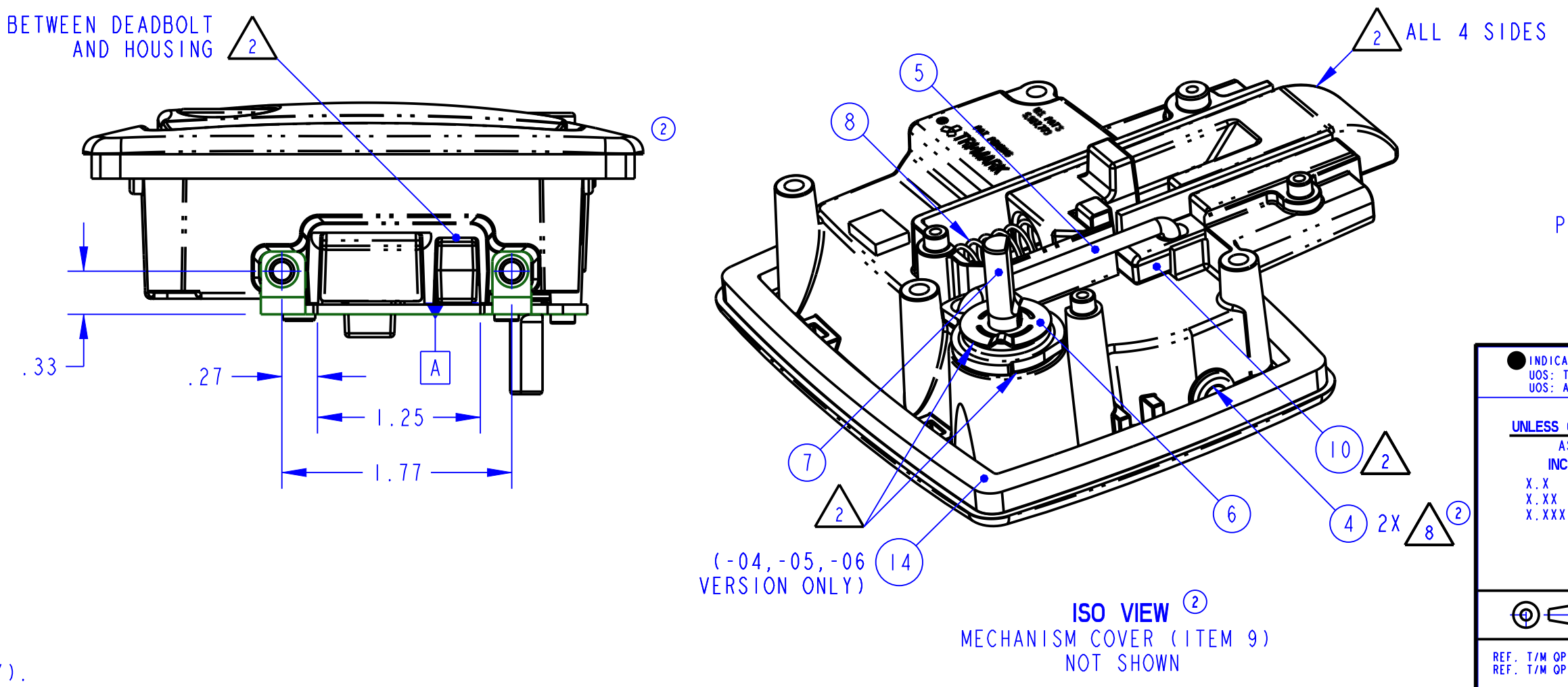
REVISION	ECN	ECN BY	DESCRIPTION
2	38007	9/9/12	ADDED KEY VIEWS, -10 THRU -19 VERSIONS. UPDATED NOTE 11 (-01 THRU -06 VERSION ONLY). VIEW DESCRIPTIONS, REARRANGED VIEWS TO FIT SHEET BOM; REMOVED -00 TO AGREE WITH AS400 (3 PLCS)
3	38115	9/9/12	ITEM 6 (SPRING); 80895-39 WAS 80895-01. UPDATED NOTE 4.

DETAIL A
NOTE: LOCKCYLINDER (ITEM 2) STAMP/STYLE SHOWN DON'T APPLY TO ALL CONFIGURATIONS



NOTES: UNLESS OTHERWISE SPECIFIED;

- ASSEMBLY TO BE SHIPPED WITH DEADBOLT AND PADDLE IN THE UNLOCKED POSITIONS AS SHOWN.
- APPLY ALPHA 2000 TO THE FOLLOWING LUBRICATION POINTS:
BETWEEN THE ACTUATOR FLANGE (ITEM 7) AND THE HOUSING SURFACE (ITEM 1).
BETWEEN THE CANTILEVER SPRING (ITEM 6) AND THE MECHANISM COVER (ITEM 9).
BETWEEN THE DEADBOLT (ITEM 10) AND THE HOUSING (ITEM 1).
BETWEEN THE PLUNGER (ITEM 3) AND PADDLE (ITEM 12).
- STAMP HOUSING WITH DATE CODE PER ES-121. LOCATE APPROXIMATELY AS SHOWN.
- FOR VERSIONS -01 THRU -06, ATTACH LKCYL SET (ITEM 2) TO PAPER CLIP (ITEM 13) AS SHOWN.
FOR VERSIONS -07, -08 AND -09; ASSEMBLE KEYS (ITEM 17) TO RING (ITEM 18) AND ATTACH AS SHOWN.
FOR VERSIONS -10 THRU -19; PLACE RING KEYS (ITEM 17) UNDER PADDLE (ITEM 2) BEFORE BAGGING.
- FINISH IS FOR REFERENCE ONLY.
- COVER (ITEM 9) TO WITHSTAND 300 LBS OF FORCE (F) EXERTED ON PLUNGER (ITEM 3) AS SHOWN.
- PIN (ITEM 4) TO BE FLUSH WITH OR RECESSED TO HOUSING (ITEM 1)
- ADD SEALANT TO BOTH AXLE PIN (ITEM 4) LOCATIONS. (-04, -05, & -06 VERSIONS ONLY)
- ACTUATOR (ITEM 15) MUST BE INSTALLED IN POSITION SHOWN.
- STAKE LOCK PAWL (ITEM 11) TO ACTUATOR (ITEM 15) SO THAT LOCK PAWL ROTATES FREELY.
- DEADBOLT LOCKCYLINDER (ITEM 2) MUST BE THE LOCKCYLINDER WITH 3 DIGITS ON SCALP AND LOCATED AS SHOWN (-01 THRU -06 VERSION ONLY).



TOLERANCES UNLESS OTHERWISE SPECIFIED (UNSI)		DRAWN BY	
ASME Y14.5M-1994	MILLIMETER	JSM	2010-12-17
X.X ±.1	X ±.3	CHECKED BY	KPE 8/15/11
X.XX ±.03	X.X ±.8	PROJECT	10028
X.XXX ±.010	X.XX ±.25	PRODUCT CODE	F05 (060-0251)
ANGLES		CUSTOMER	
X° ±.3°		CUSTOMER PART NUMBER	
X.X° ±.1.0°		PART WEIGHT	(1.84 LB)
X.XX° ±.50°		SURFACE AREA	
DO NOT SCALE DRAWING		CUSTOMER	
REF. T/M OP 4.20-2 FOR SUP. QUALITY REQ.		DESCRIPTION	SEE TABLE
REF. T/M OP 4.20-3 FOR INT. QUALITY REQ.		SIZE	D
		SCALE	1.0
		PART NUMBER	29790

TriMark
500 Bailey Avenue
P. O. Box 350
New Hampton, Iowa 50659 U.S.A.
Tel: 641-394-3188
Fax: 641-394-2392

This drawing and the information contained herein is the property of TriMark Corporation and shall not be used for any purpose without our written consent.