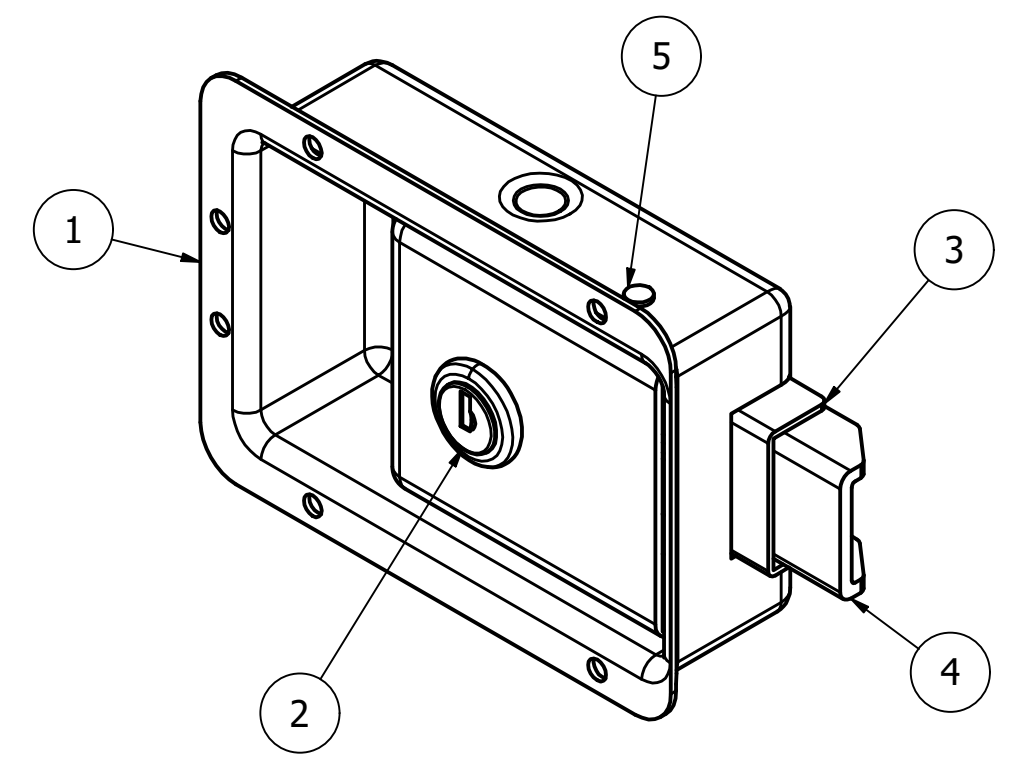
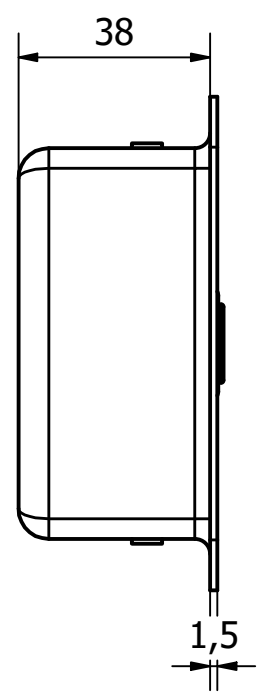


PARTS LIST			
ITEM	QTY	PART NUMBER	DESCRIPTION
1	1	9810-3140-1	S/STEEL- PRESSED PAN Z/C PASSIVATE
2	1	9810-3140-2	S/STEEL PRESSED PADDLE HANDLE AND LOCK-Z/C PASSIVATE
3	1	9810-3140-5	S/STEEL - PRESSED TONGUE HOLDER- Z/C PASSIVATE
4	1	9810-3140-3	S/STEEL- PRESSED TONGUE- Z/C PASSIVATE
5	1	9810-3140-6	S/STEEL- RIVIT - Z/C PASSIVATE



1	VALIDATION COMPLETE	08/10/21	C.H
REV	DESCRIPTION	DATE	APPROVED

GENERAL TOLERANCES ON LENGTHS

0.5 - 6 ± 0.1mm
6 - 30 ± 0.2mm
30 - 120 ± 0.3mm
120 - 400 ± 0.5mm
400 - 1000 ± 0.8mm
1000 - 2000 ± 1.2mm
2000 - 4000 ± 2.0mm

ALBERT JAGGER LTD
 GREEN LANE
 WALSALL PHONE: 01922 471000
 WEST MIDLANDS FAX: 01922 648021
 WS2 8HG

THIS DRAWING & THE DESIGN SHOWN ARE THE PROPERTY OF ALBERT JAGGER LTD AND MUST NOT BE USED OR COPIED BY A THIRD PARTY WITHOUT PERMISSION

DRAWN BY S.R	CHECKED BY C.H	THIRD ANGLE PROJECTION
-----------------	-------------------	------------------------



SCALE 1:2	MATERIAL SEE TABLE	MASS 0.772 kg	FINISH SEE TABLE	Date 08/10/2021	ALL DIMS IN MM UNLESS STATED DO NOT SCALE	A3
PADDLE LOCK - 9810 SERIES					Edition 1	Sheet 1 / 1
9810-3140						