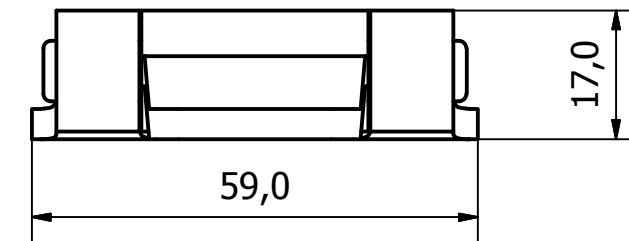
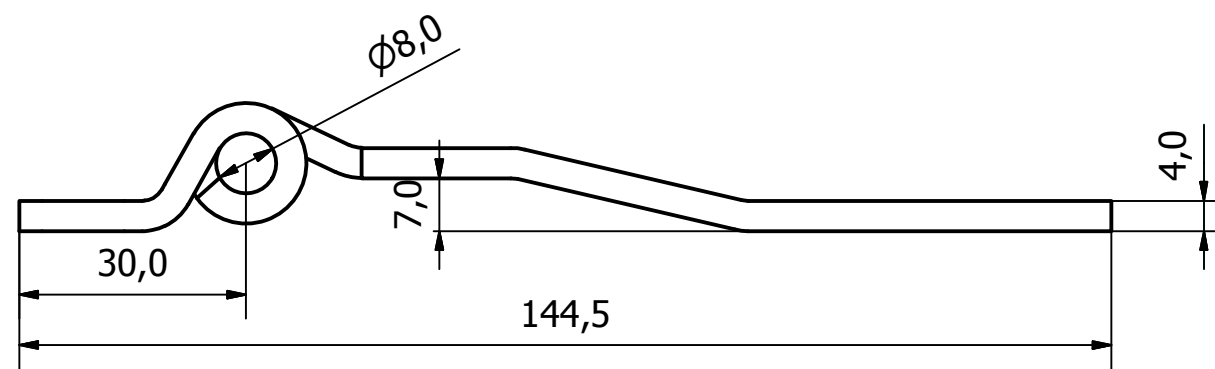
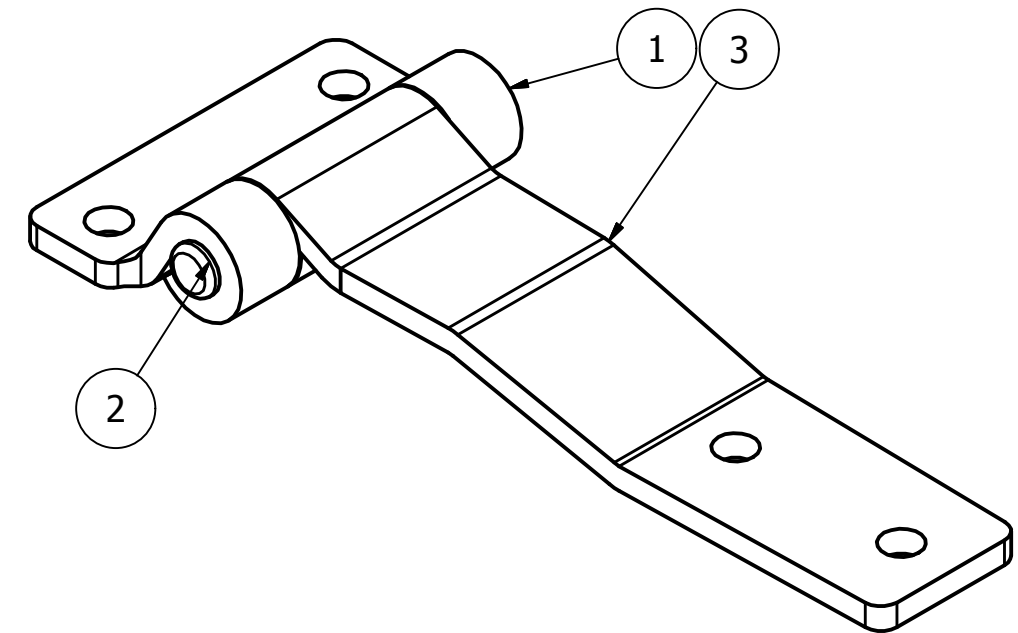
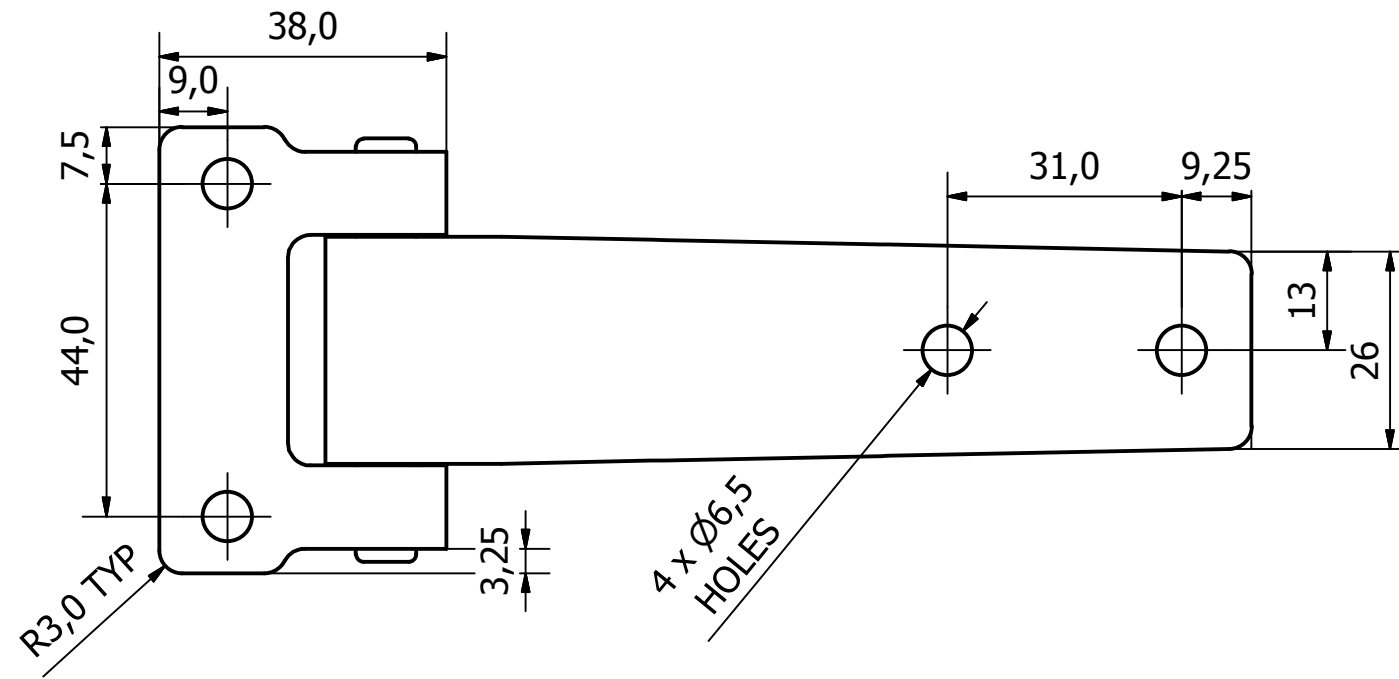


PARTS LIST			
ITEM	QTY	PART NUMBER	DESCRIPTION
1	1	9810-6330-1	S/S HINGE BASE PLATE - T304
2	1	9810-6330-2	S/S HINGE PIN 56 O/A - T304
3	1	9810-6310-1	SS HINGE CRANKED MAIN PLATE - T304



NOTE:
HINGE DESIGNED FOR 180° APPLICATIONS
BUT CAN ROTATE THROUGH 270°

GENERAL TOLERANCES ON LENGTHS
0.5 - 6 ± 0.1mm
6 - 30 ± 0.2mm
30 - 120 ± 0.3mm
120 - 400 ± 0.5mm
400 - 1000 ± 0.8mm
1000 - 1200 ± 1.2mm
2000 - 4000 ± 2.0mm

ALBERT JAGGER LTD
GREEN LANE
WALSALL PHONE: 01922 471000
WEST MIDLANDS FAX: 01922 648021
WS2 8HG

THIS DRAWING & THE DESIGN SHOWN
ARE THE PROPERTY OF ALBERT JAGGER LTD
AND MUST NOT BE USED OR COPIED BY A
THIRD PARTY WITHOUT PERMISSION

DRAWN BY
U.F

CHECKED BY
A.P

THIRD ANGLE
PROJECTION

SCALE
1 : 1

MATERIAL
-

MASS
0.215 kg

FINISH
MIRROR
POLISH

Date
27/09/2016

ALL DIMS IN MM
UNLESS STATED
DO NOT SCALE

A3

REV	DESCRIPTION	DATE	APPROVED
1	VALIDATION COMPLETE	14/10/16	A.P



PRESSED S/S HINGE CR'KED BLADE - T304

9810-6310

Edition
1

Sheet
1 / 1