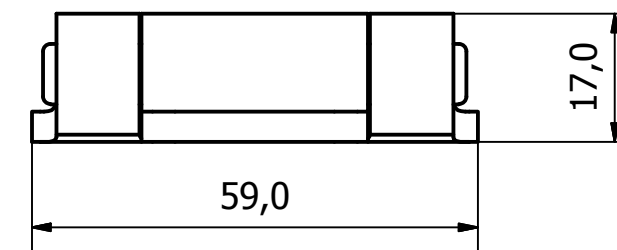
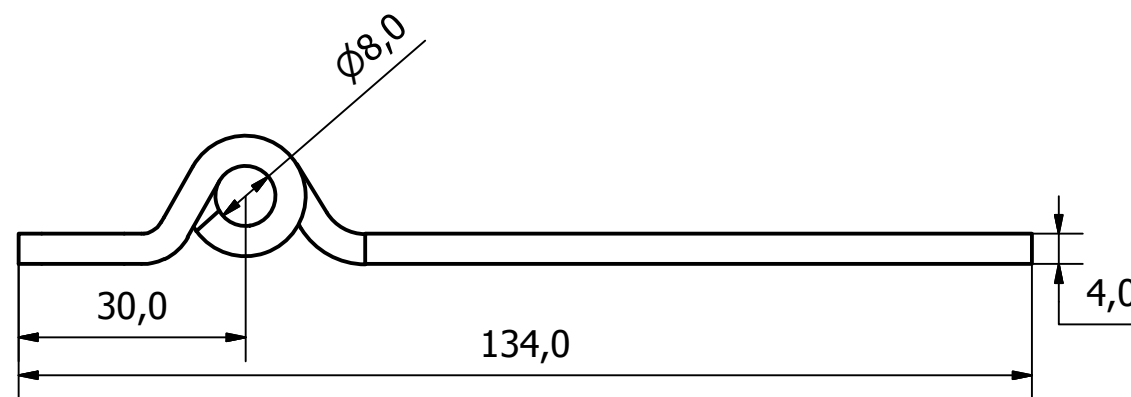
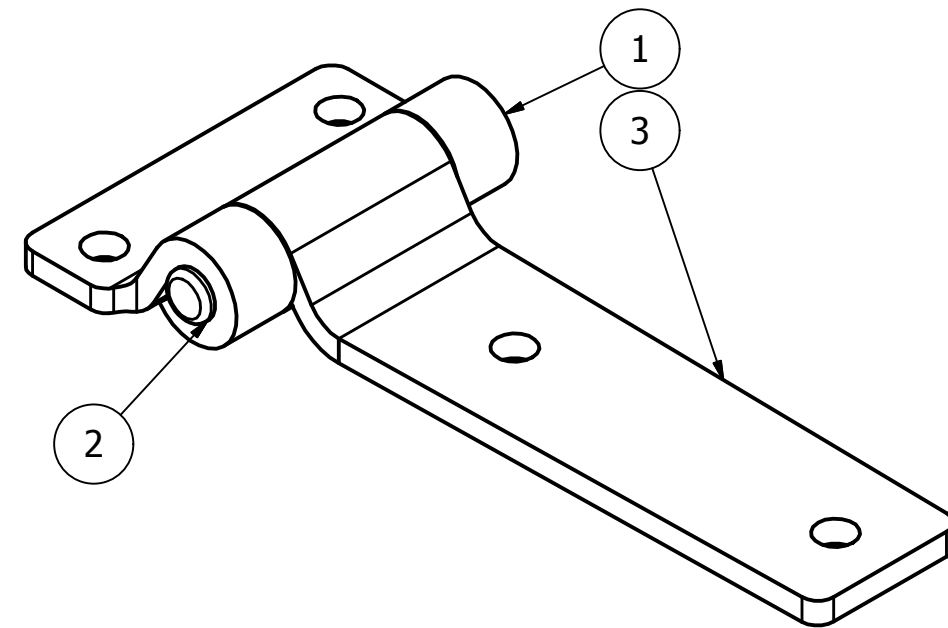


PARTS LIST			
ITEM	QTY	PART NUMBER	DESCRIPTION
1	1	9810-6330-1	S/S HINGE BASE PLATE - T304
2	1	9810-6330-2	S/S HINGE PIN 56 O/A - T304
3	1	9810-6330-3	S/S HINGE MAIN PLATE - T304



HINGE DESIGNED FOR 180° APPLICATIONS  
BUT CAN ROTATE THROUGH 270°

GENERAL TOLERANCES ON LENGTHS
0.5 - 6 ± 0.1mm
6 - 30 ± 0.2mm
30 - 120 ± 0.3mm
120 - 400 ± 0.5mm
400 - 1000 ± 0.8mm
1000 - 1200 ± 1.2mm
2000 - 4000 ± 2.0mm

ALBERT JAGGER LTD  
GREEN LANE  
WALSALL WEST MIDLANDS WS2 8HG  
PHONE: 01922 471000  
FAX: 01922 648021

THIS DRAWING & THE DESIGN SHOWN  
ARE THE PROPERTY OF ALBERT JAGGER LTD  
AND MUST NOT BE USED OR COPIED BY A  
THIRD PARTY WITHOUT PERMISSION

DRAWN BY  
U.F

CHECKED BY  
A.P

THIRD ANGLE  
PROJECTION

SCALE  
1 : 1

MATERIAL  
-

MASS  
0.206 kg

FINISH  
MIRROR  
POLISH

Date  
27/09/2016

ALL DIMS IN MM  
UNLESS STATED  
DO NOT SCALE

A3

1	VALIDATION COMPLETE	21/10/16	A.P
REV	DESCRIPTION	DATE	APPROVED



S/S PRESSED STEEL HINGE - T304

9810-6330

Edition  
1

Sheet  
1 / 1