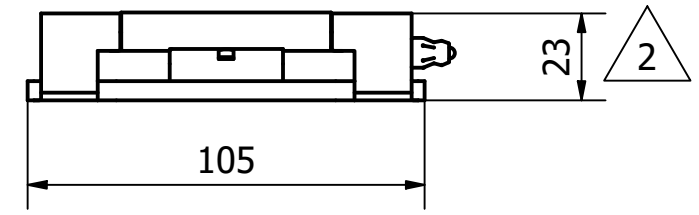
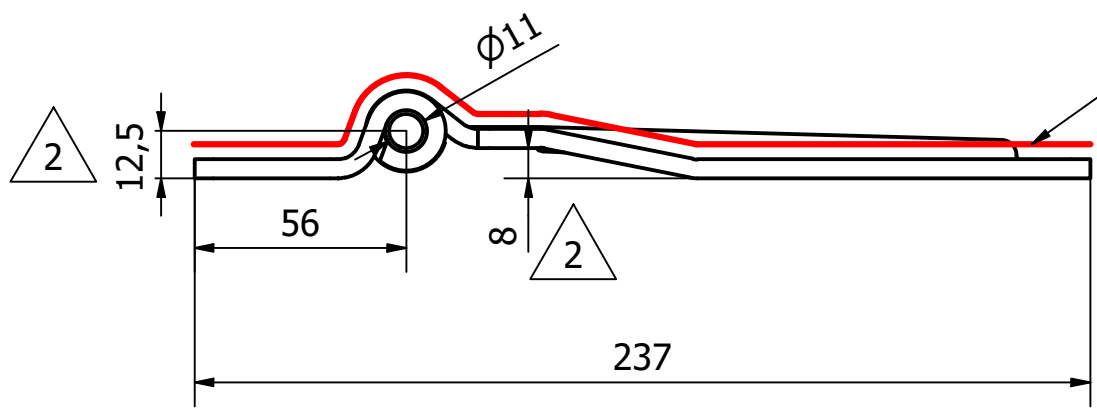
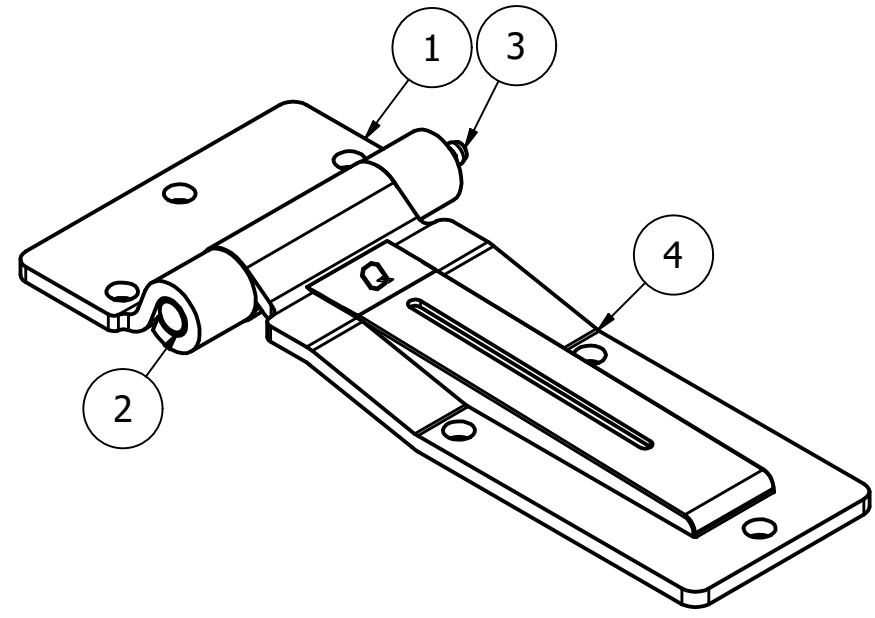
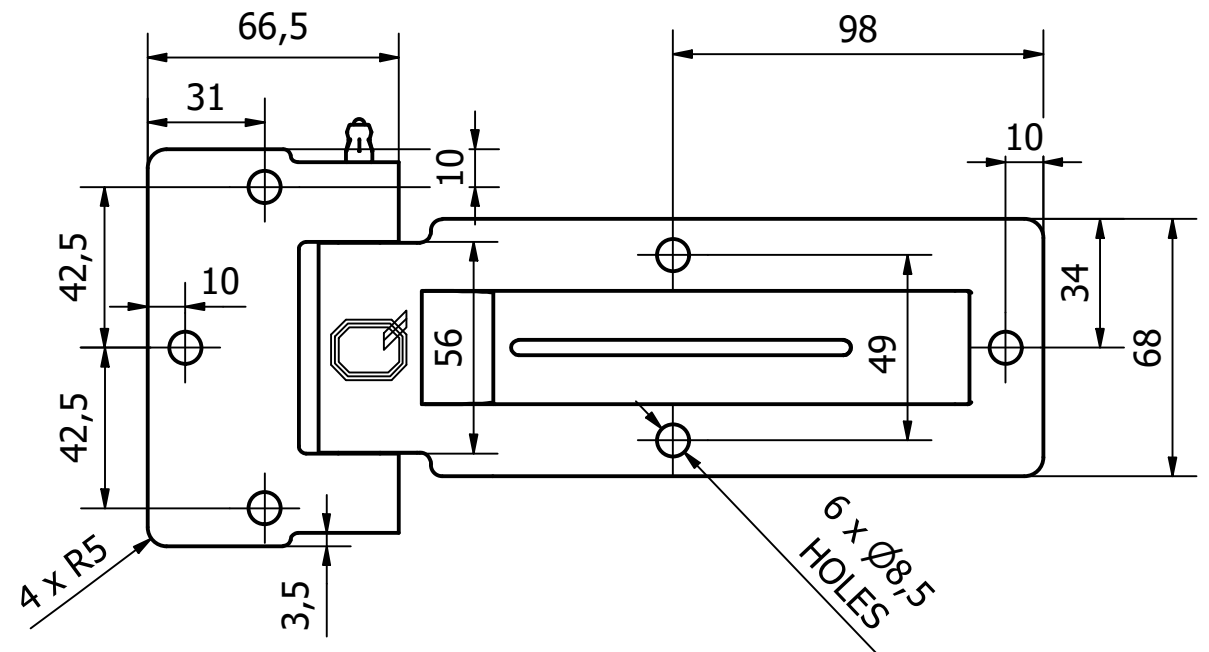


PARTS LIST			
ITEM	QTY	PART NUMBER	DESCRIPTION
1	1	9820-1181-1	SS HINGE BASE PLATE
2	1	9820-1181-2	SS HINGE PIN - 98 O/A
3	1	GREASE NIPPLE	GREASE NIPPLE
4	1	9820-1181-3	SS HINGE MAIN PLATE



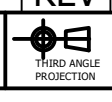
NOTE:
HINGE DESIGNED FOR 180° APPLICATIONS
BUT WILL ROTATE THROUGH TO 270°

GENERAL TOLERANCES ON LENGTHS
0.5 - 6 ± 0.1mm
6 - 30 ± 0.2mm
30 - 120 ± 0.3mm
120 - 400 ± 0.5mm
400 - 1000 ± 0.8mm
1000 - 1200 ± 1.2mm
2000 - 4000 ± 2.0mm

ALBERT JAGGER LTD
GREEN LANE
WALSALL PHONE: 01922 471000
WEST MIDLANDS FAX: 01922 648021
WS2 8HG

THIS DRAWING & THE DESIGN SHOWN
ARE THE PROPERTY OF ALBERT JAGGER LTD
AND MUST NOT BE USED OR COPIED BY A
THIRD PARTY WITHOUT PERMISSION

DRAWN BY U.F	CHECKED BY A.P
-----------------	-------------------



SCALE
1 : 2

MATERIAL
-

MASS
0.967 kg

FINISH
SEE NOTE

Date
22/09/2016

ALL DIMS IN MM
UNLESS STATED
DO NOT SCALE

A3



PRESSED SS STEEL HINGE - CRANKED BLADE C/W GREASE NIPPLE LH

9820-1181

Edition
2

Sheet
1 / 1

2	HEIGHT MODIFIED	26/07/21	U.F
1	VALIDATION COMPLETE	14/10/16	A.P
REV	DESCRIPTION	DATE	APPROVED