

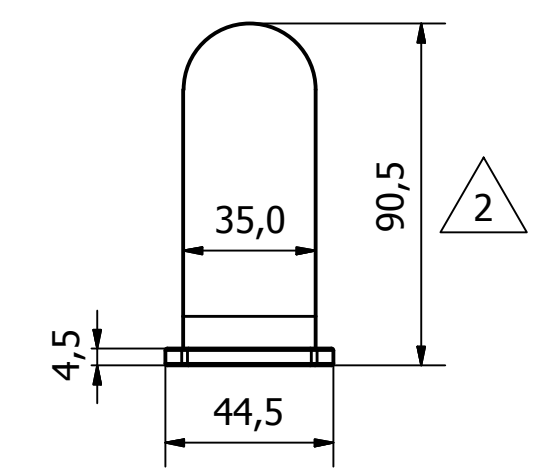
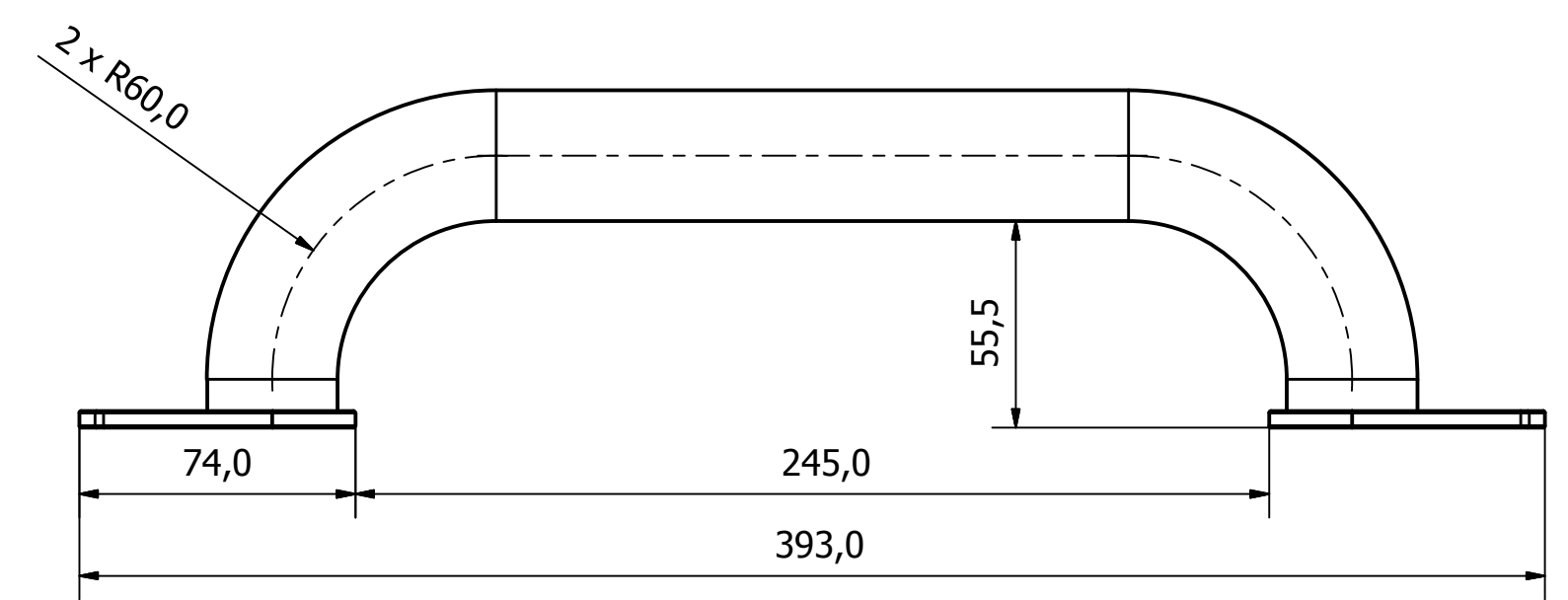
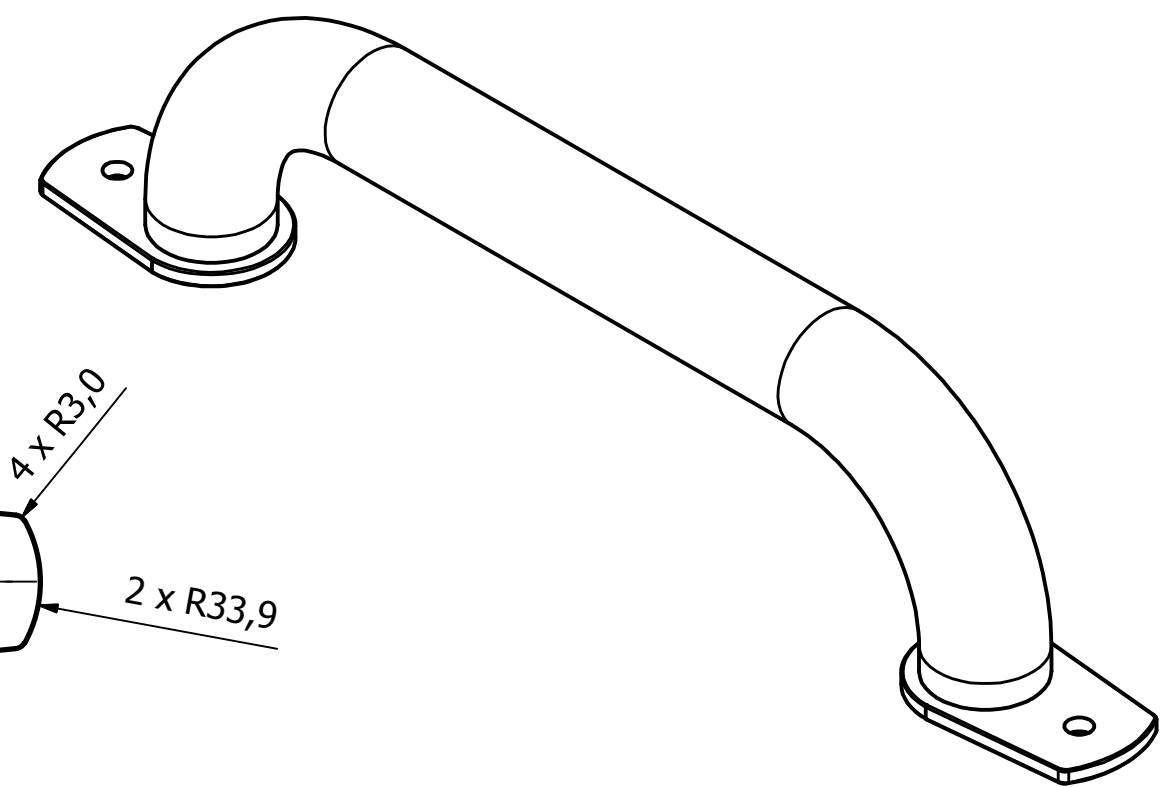
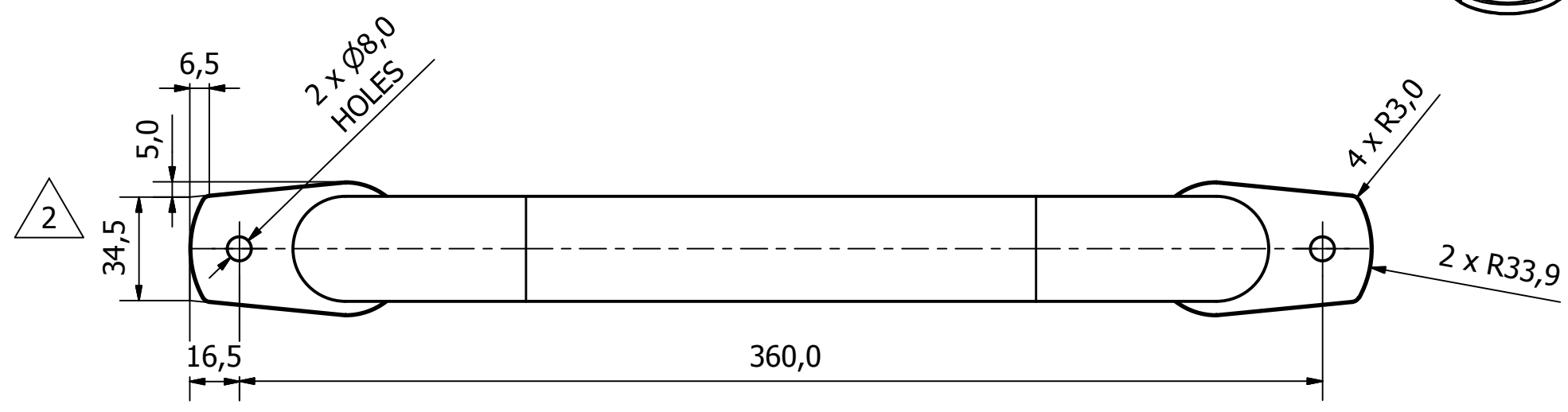
6 5 4 3 2 1

D D

C C

B B

A A



NOTE:
FINISH - POWDERCOAT YELLOW RAL 1023

REV	DESCRIPTION	DATE	APPROVED
2	DIMENSIONS MODIFIED TO SUIT 9911 SERIES HANDLE	14/08/2017	U.F
1	VALIDATION COMPLETE	08/08/17	A.P

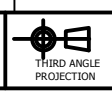
GENERAL TOLERANCES ON LENGTHS
0.5 - 6 ± 0.1mm
6 - 30 ± 0.2mm
30 - 120 ± 0.3mm
120 - 400 ± 0.5mm
400 - 1000 ± 0.8mm
1000 - 2000 ± 1.2mm
2000 - 4000 ± 2.0mm

ALBERT JAGGER LTD
GREEN LANE
WALSALL PHONE: 01922 471000
WEST MIDLANDS FAX: 01922 648021
WS2 8HG

THIS DRAWING & THE DESIGN SHOWN ARE THE PROPERTY OF ALBERT JAGGER LTD AND MUST NOT BE USED OR COPIED BY A THIRD PARTY WITHOUT PERMISSION

DRAWN BY
U.F

CHECKED BY
A.P



SCALE
1 : 2

MATERIAL
Steel

MASS
0.820 kg

FINISH
Yellow

Date
08/08/2017

ALL DIMS IN MM UNLESS STATED DO NOT SCALE

A3



YELLOW STEEL GRAB HANDLE - 360 CRS

9912-0360

Edition
2

Sheet
1 / 1

6 5 4 3 2 1