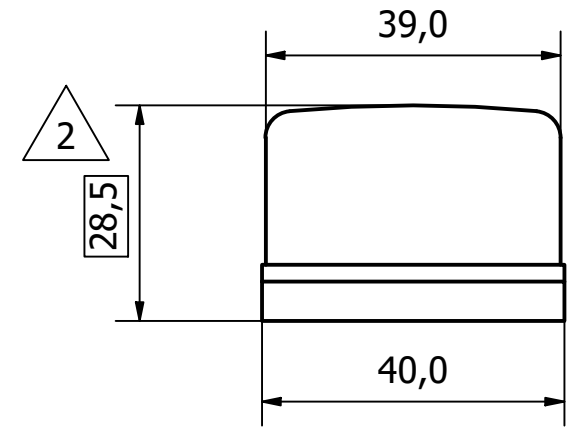
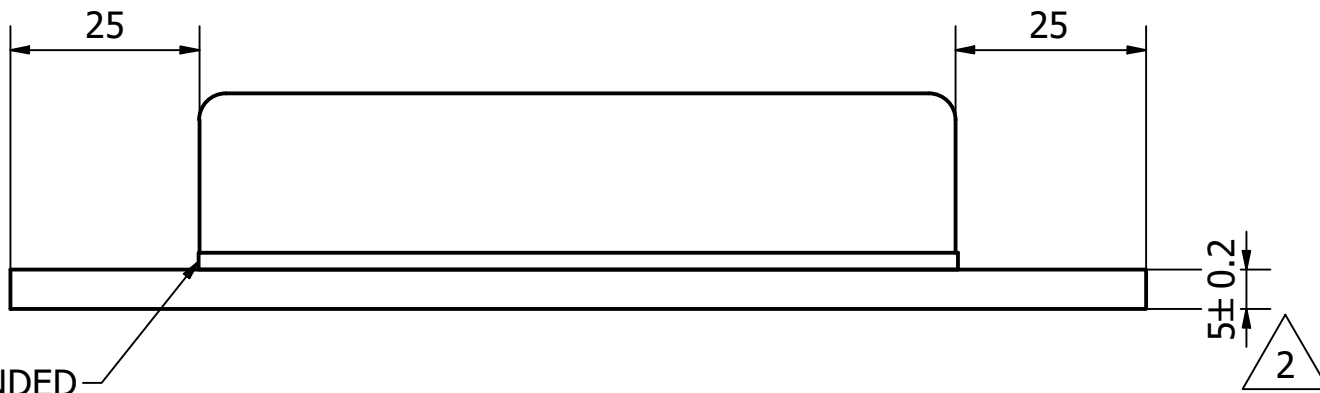
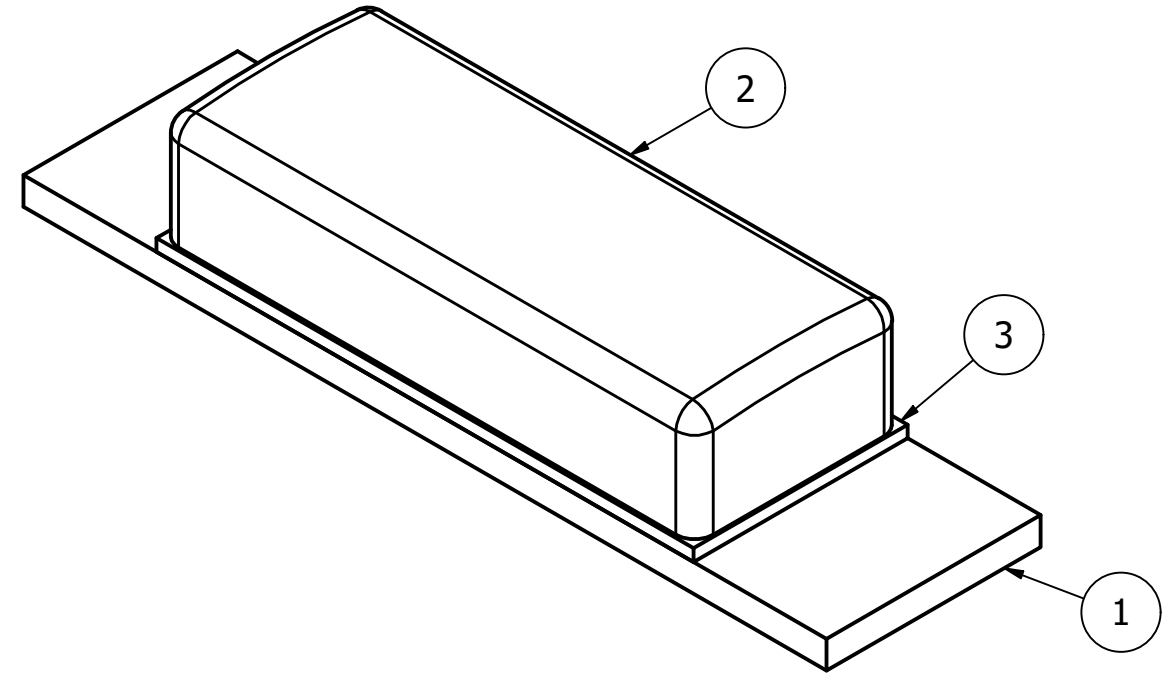
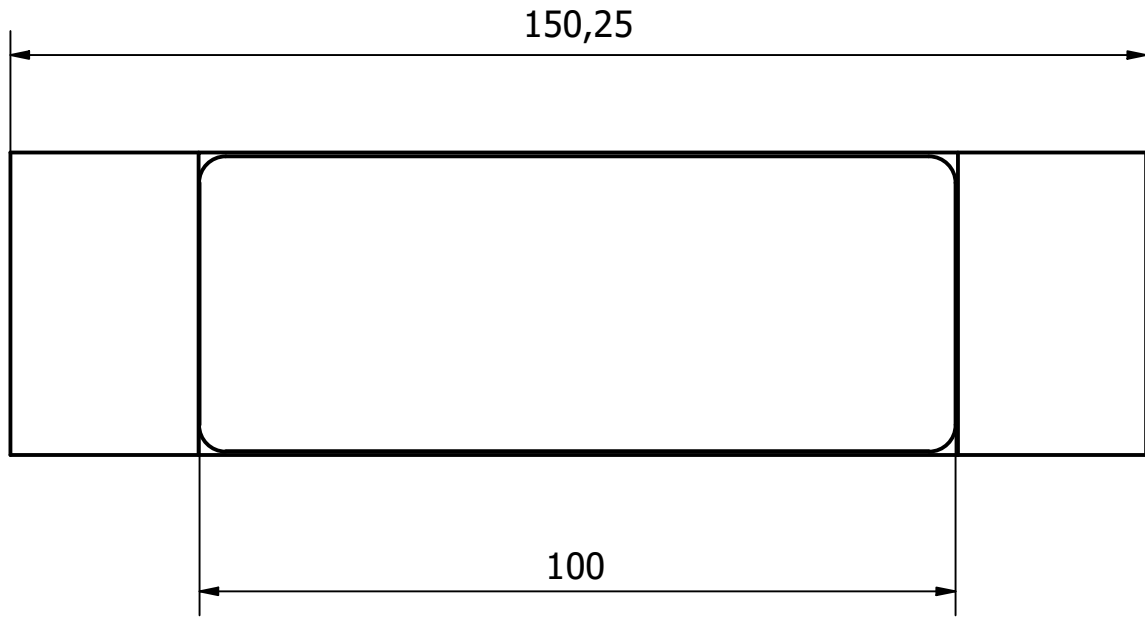


PARTS LIST			
ITEM	QTY	PART NUMBER	DESCRIPTION
1	1	9922-003-1	M/STEEL MOUNTING BLOCK
2	1	9922-003-2	RUBBER PAD
3	1	9922-003-3	BONDING MATERIAL



RUBBER PAD BONDED ONTO M/STEEL PLATE

NOTE:
M/STEEL PLATE TO BE POWDER COATED BLACK

REV	DESCRIPTION	DATE	APPROVED
1	VALIDATION COMPLETE	05/01/17	A.P
2	ADDED TOLERANCE	27/07/2022	S.R

GENERAL TOLERANCES ON LENGTHS	
0.5 - 6	± 0.1mm
6 - 30	± 0.2mm
30 - 120	± 0.3mm
120 - 400	± 0.5mm
400 - 1000	± 0.8mm
1000 - 1200	± 1.2mm
2000 - 4000	± 2.0mm

ALBERT JAGGER LTD
GREEN LANE
WALSALL WEST MIDLANDS WS2 8HG
PHONE: 01922 471000
FAX: 01922 648021

THIS DRAWING & THE DESIGN SHOWN ARE THE PROPERTY OF ALBERT JAGGER LTD AND MUST NOT BE USED OR COPIED BY A THIRD PARTY WITHOUT PERMISSION

DRAWN BY U.F	CHECKED BY A.P	SCALE 1 : 1	MATERIAL -	MASS 0.329 kg	FINISH SEE NOTE	Date 05/01/2017	ALL DIMS IN MM UNLESS STATED DO NOT SCALE	A3
						TIPPER PAD - 150.25 A/O		
						9922-003	Edition 2	Sheet 1 / 1