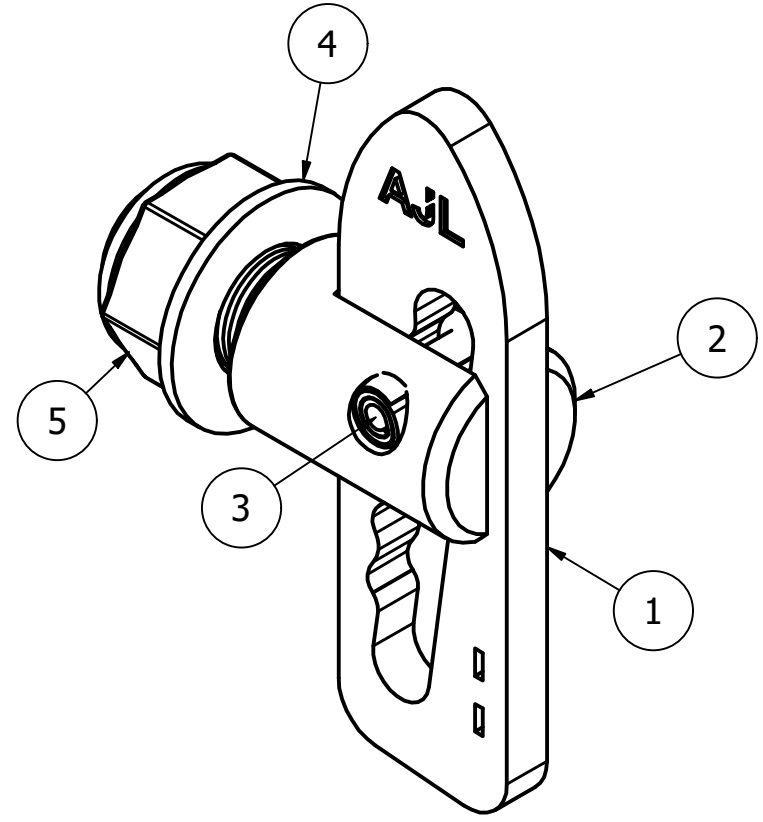
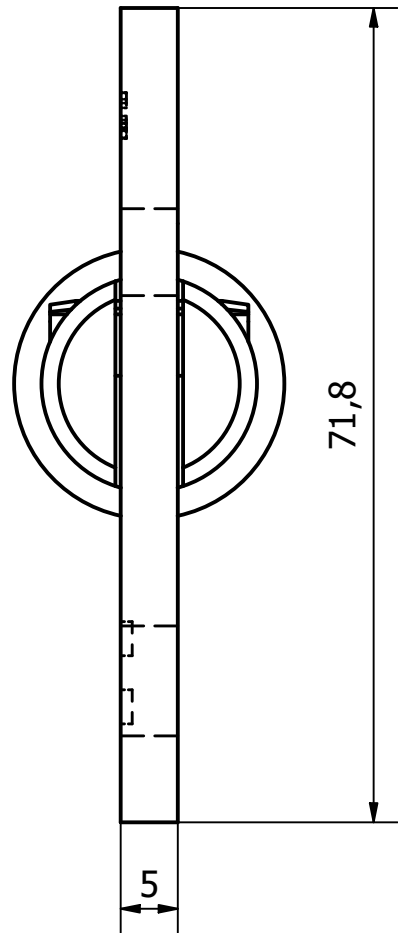
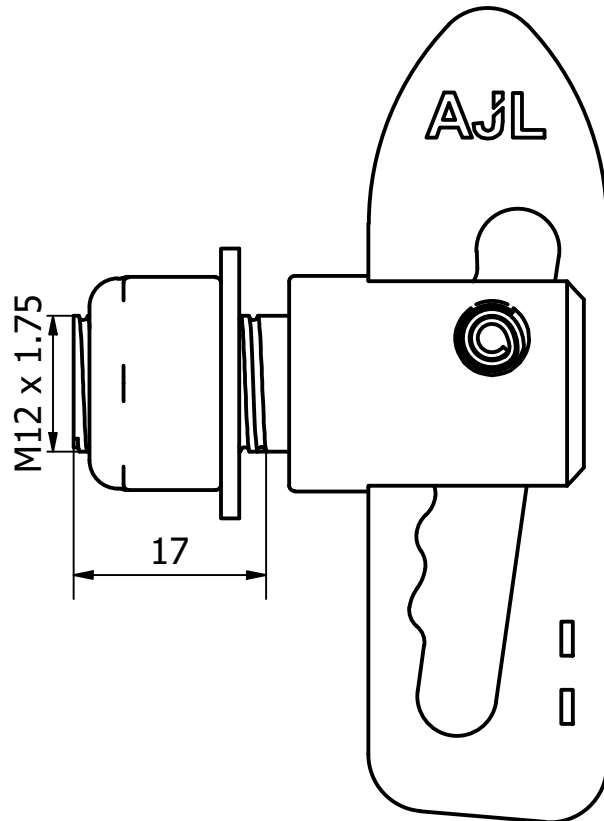


PARTS LIST			
ITEM	QTY	PART NUMBER	DESCRIPTION
1	1	3330322	LARGE A/L COTTER - M/STEEL GEOMET FINISH
2	1	9934-0921 BOSS	M/STEEL A/L BOSS - M12 THREAD
3	1	3330233	ANTILUCE SPIRAL PIN - STD
4	1	BW1051	M/STEEL M12 WASHER
5	1	15CW12100	M/STEEL M12 NYLOC NUT



NOTE:
 GEOMET FINISH ON COTTER AND BARREL
 Z/C PASSIVATE FINISH ON WASHER AND NYLOC NUT

GENERAL TOLERANCES ON LENGTHS
0.5 - 6 ± 0.1mm
6 - 30 ± 0.2mm
30 - 120 ± 0.3mm
120 - 400 ± 0.5mm
400 - 1000 ± 0.8mm
1000 - 2000 ± 1.2mm
2000 - 4000 ± 2.0mm

ALBERT JAGGER LTD
 GREEN LANE
 WALSALL PHONE: 01922 471000
 WEST MIDLANDS FAX: 01922 648021
 WS2 8HG
 THIS DRAWING & THE DESIGN SHOWN
 ARE THE PROPERTY OF ALBERT JAGGER LTD
 AND MUST NOT BE USED OR COPIED BY A
 THIRD PARTY WITHOUT PERMISSION

DRAWN BY
 U.F

CHECKED BY
 A.P



SCALE
 1.5: 1

MATERIAL
 M/STEEL

MASS
 0.118 kg

FINISH
 SEE NOTE

Date
 21/04/2017

ALL DIMS IN MM
 UNLESS STATED
 DO NOT SCALE

A3



BOLT ON M12 ANTILUCE™ 19MM SHANK C/W 16MM THREAD

9934-0921

Edition
 2
 Sheet
 1 / 1

REV	DESCRIPTION	DATE	APPROVED
2	DESIGN UPDATE	09/03/22	K.M
1	VALIDATION COMPLETE	05/07/17	A.P